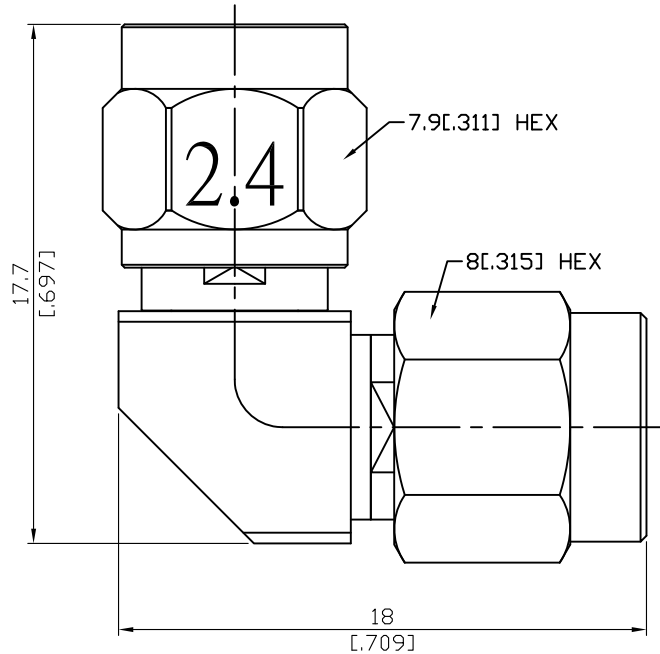


ALS-A3-2.4/3-27-1.2

Mitered SMA plug to 2.4mm plug
27Ghz VSWR 1.2

50Ω



Parts	Material	Plating (Micro-inch)
Coupling Nut	Stainless Steel	Passivated
Body	Stainless Steel	Passivated
Insulator (2.4)	PPO	
Insulator (SMA)	PTFE	
Contact Pin	Beryllium Copper	Gold 4 Over Nickel-Phosphorus Alloy 80 Over Copper 20
Gasket	Silicone	
Retainer Ring	Beryllium Copper	Tin-Zinc-Copper-Alloy 100 Over Copper 50

This part number complies with RoHS.

Notice: JYEBAO reserves the right to make modifications deemed appropriate.

ALS-A3-2.4/3-27-1.2		Mitered SMA plug to 2.4mm plug 27Ghz VSWR 1.2	
Interface		2.4	SMA
Standard		MIL-STD-348B	MIL-STD-348B
Mechanically compatible with		1.85	2.92 & 3.5
Electrical Data			
Impedance		50Ω	
Frequency Range		DC To 27GHz	
VSWR		≤ 1.2 (DC To 27GHz)	
Insertion Loss		≤ 0.07 x √f(GHz) dB	
Insulation Resistance		≥ 5000MΩ	
Dielectric Withstanding Voltage (at sea level)		500 V rms	
Working Voltage (at sea level)		150 V rms	
Mechanical Data		2.4	SMA
Recommended Coupling Nut Torque		7.08 to 9.74 in-lbs	7.5 to 9.5 in-lbs
Coupling Proof Torque		15 in-lbs	15 in-lbs
Coupling Nut Retention Force		≥ 60.7 lbs	≥ 60.7 lbs
Contact Captivation-axial		≥ 4.5 lbs	≥ 6.1 lbs
Durability (mating)		≥ 500	≥ 500
Environmental Data			
Temperature Range		-55°C to +105°C	
Thermal Shock		MIL-STD-202, Method 107, Condition B	
Moisture Resistance		MIL-STD-202, Method 206	
Corrosion		MIL-STD-202, Method 101, Condition B	
RoHS		Compliant	

Notice: JYEBAO reserves the right to make modifications deemed appropriate.