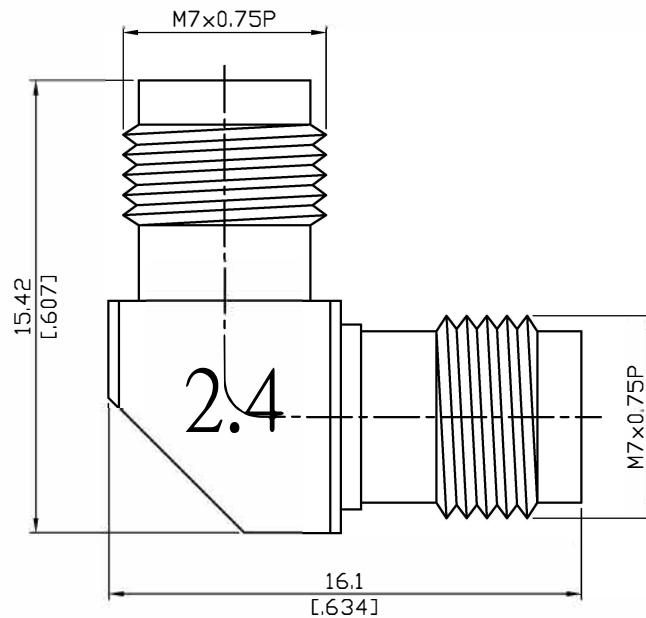


ALS-2.4/8-2.4/8-1.15	Mitered 2.4mm Jack to 2.4mm Jack 50GHz VSWR 1.15	50Ω
----------------------	---	-----



Parts	Material	Plating ( Micro-inch )
Insulator	PPO	
Centre Contact	Beryllium Copper	Gold 4 Over Nickel-Phosphorus Alloy 80 Over Copper 20
Body	Stainless Steel	Passivated

--	--

This part number complies with RoHS.

Notice: JYEBAO reserves the right to make modifications deemed appropriate.

ALS-2.4/8-2.4/8-1.15	Mitered 2.4mm Jack to 2.4mm Jack 50GHz VSWR 1.15																		
<table border="0"> <tr> <td colspan="2" data-bbox="129 342 531 394"><b>Interface</b></td> </tr> <tr> <td data-bbox="129 400 794 434">Standard</td> <td data-bbox="794 400 1482 434">MIL-STD-348B</td> </tr> <tr> <td data-bbox="129 448 794 481">Mechanically compatible with</td> <td data-bbox="794 448 1482 481">1.85</td> </tr> </table>		<b>Interface</b>		Standard	MIL-STD-348B	Mechanically compatible with	1.85												
<b>Interface</b>																			
Standard	MIL-STD-348B																		
Mechanically compatible with	1.85																		
<table border="0"> <tr> <td colspan="2" data-bbox="129 602 531 654"><b>Electrical Data</b></td> </tr> <tr> <td data-bbox="129 660 794 694">Impedance</td> <td data-bbox="794 660 1482 694">50Ω</td> </tr> <tr> <td data-bbox="129 707 794 741">Frequency Range</td> <td data-bbox="794 707 1482 741">DC to 50GHz</td> </tr> <tr> <td data-bbox="129 754 794 788">VSWR</td> <td data-bbox="794 754 1482 788">≤ 1.15 (DC To 50GHz)</td> </tr> <tr> <td data-bbox="129 801 794 835">Insertion Loss</td> <td data-bbox="794 801 1482 835">≤ 0.07 x √f(GHz) dB</td> </tr> <tr> <td data-bbox="129 848 794 882">Insulation Resistance</td> <td data-bbox="794 848 1482 882">≥ 5000MΩ</td> </tr> <tr> <td data-bbox="129 896 794 929">Dielectric Withstanding Voltage (at sea level)</td> <td data-bbox="794 896 1482 929">500 V rms</td> </tr> <tr> <td data-bbox="129 943 794 976">Working Voltage (at sea level)</td> <td data-bbox="794 943 1482 976">150 V rms</td> </tr> <tr> <td data-bbox="129 990 794 1023">RF Leakage</td> <td data-bbox="794 990 1482 1023">≥ 100dB to 1GHz</td> </tr> </table>		<b>Electrical Data</b>		Impedance	50Ω	Frequency Range	DC to 50GHz	VSWR	≤ 1.15 (DC To 50GHz)	Insertion Loss	≤ 0.07 x √f(GHz) dB	Insulation Resistance	≥ 5000MΩ	Dielectric Withstanding Voltage (at sea level)	500 V rms	Working Voltage (at sea level)	150 V rms	RF Leakage	≥ 100dB to 1GHz
<b>Electrical Data</b>																			
Impedance	50Ω																		
Frequency Range	DC to 50GHz																		
VSWR	≤ 1.15 (DC To 50GHz)																		
Insertion Loss	≤ 0.07 x √f(GHz) dB																		
Insulation Resistance	≥ 5000MΩ																		
Dielectric Withstanding Voltage (at sea level)	500 V rms																		
Working Voltage (at sea level)	150 V rms																		
RF Leakage	≥ 100dB to 1GHz																		
<table border="0"> <tr> <td colspan="2" data-bbox="129 1149 531 1200"><b>Mechanical Data</b></td> </tr> <tr> <td data-bbox="129 1207 794 1240">Recommended Coupling Nut Torque</td> <td data-bbox="794 1207 1482 1240">7.08 to 9.74 in-lbs</td> </tr> <tr> <td data-bbox="129 1254 794 1288">Coupling Proof Torque</td> <td data-bbox="794 1254 1482 1288">15 in-lbs</td> </tr> <tr> <td data-bbox="129 1301 794 1335">Contact Captivation-axial</td> <td data-bbox="794 1301 1482 1335">≥ 4.5 lbs</td> </tr> <tr> <td data-bbox="129 1348 794 1382">Durability (mating)</td> <td data-bbox="794 1348 1482 1382">≥ 500</td> </tr> </table>		<b>Mechanical Data</b>		Recommended Coupling Nut Torque	7.08 to 9.74 in-lbs	Coupling Proof Torque	15 in-lbs	Contact Captivation-axial	≥ 4.5 lbs	Durability (mating)	≥ 500								
<b>Mechanical Data</b>																			
Recommended Coupling Nut Torque	7.08 to 9.74 in-lbs																		
Coupling Proof Torque	15 in-lbs																		
Contact Captivation-axial	≥ 4.5 lbs																		
Durability (mating)	≥ 500																		
<table border="0"> <tr> <td colspan="2" data-bbox="129 1552 531 1603"><b>Environmental Data</b></td> </tr> <tr> <td data-bbox="129 1610 794 1644">Temperature Range</td> <td data-bbox="794 1610 1482 1644">-55°C to +105°C</td> </tr> <tr> <td data-bbox="129 1657 794 1691">Thermal Shock</td> <td data-bbox="794 1657 1482 1691">MIL-STD-202, Method 107, Condition B</td> </tr> <tr> <td data-bbox="129 1704 794 1738">Moisture Resistance</td> <td data-bbox="794 1704 1482 1738">MIL-STD-202, Method 206</td> </tr> <tr> <td data-bbox="129 1751 794 1785">Corrosion</td> <td data-bbox="794 1751 1482 1785">MIL-STD-202, Method 101, Condition B</td> </tr> <tr> <td data-bbox="129 1798 794 1832">RoHS</td> <td data-bbox="794 1798 1482 1832">Compliant</td> </tr> </table>		<b>Environmental Data</b>		Temperature Range	-55°C to +105°C	Thermal Shock	MIL-STD-202, Method 107, Condition B	Moisture Resistance	MIL-STD-202, Method 206	Corrosion	MIL-STD-202, Method 101, Condition B	RoHS	Compliant						
<b>Environmental Data</b>																			
Temperature Range	-55°C to +105°C																		
Thermal Shock	MIL-STD-202, Method 107, Condition B																		
Moisture Resistance	MIL-STD-202, Method 206																		
Corrosion	MIL-STD-202, Method 101, Condition B																		
RoHS	Compliant																		

# ALS-2.4/8-2.4/8-1.15

