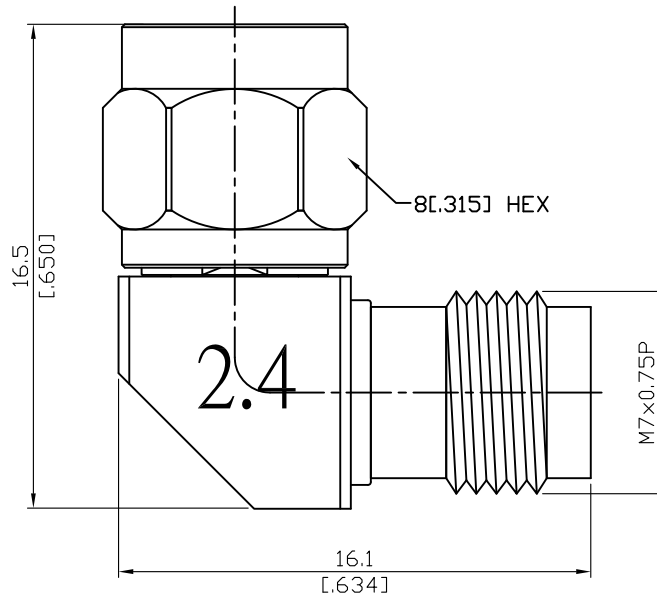


ALS-2.4/3-2.4/8-1.35	Mitered 2.4mm Plug To 2.4mm Jack 50GHz VSWR 1.35	50Ω
----------------------	---	-----



Parts	Material	Plating ( Micro-inch )
Insulator	PPO	
Gasket	Silicone	
Centre Contact	Beryllium Copper	Gold 4 Over Nickel-Phosphorus Alloy 80 Over Copper 20
Retainer Ring	Beryllium Copper	Tin-Zinc-Copper-Alloy 100 Over Copper 50
Body	Stainless Steel	Passivated
Coupling Nut	Stainless Steel	Passivated

--	--

This part number complies with RoHS.

Notice: JYEBAO reserves the right to make modifications deemed appropriate.

ALS-2.4/3-2.4/8-1.35	Mitered 2.4mm Plug To 2.4mm Jack 50GHz VSWR 1.35																
<div data-bbox="129 344 531 394" style="border: 1px solid black; padding: 2px;">Interface</div> <table data-bbox="129 394 1482 584"> <tr> <td data-bbox="129 394 794 443">Standard</td> <td data-bbox="794 394 1482 443">MIL-STD-348B</td> </tr> <tr> <td data-bbox="129 443 794 584">Mechanically compatible with</td> <td data-bbox="794 443 1482 584">1.85</td> </tr> </table>		Standard	MIL-STD-348B	Mechanically compatible with	1.85												
Standard	MIL-STD-348B																
Mechanically compatible with	1.85																
<div data-bbox="129 604 531 654" style="border: 1px solid black; padding: 2px;">Electrical Data</div> <table data-bbox="129 654 1482 1133"> <tr> <td data-bbox="129 654 794 703">Impedance</td> <td data-bbox="794 654 1482 703">50Ω</td> </tr> <tr> <td data-bbox="129 703 794 752">Frequency Range</td> <td data-bbox="794 703 1482 752">DC to 50GHz</td> </tr> <tr> <td data-bbox="129 752 794 801">VSWR</td> <td data-bbox="794 752 1482 801">≤ 1.35 (DC To 50GHz)</td> </tr> <tr> <td data-bbox="129 801 794 851">Insertion Loss</td> <td data-bbox="794 801 1482 851">≤ 0.07 x √f(GHz) dB</td> </tr> <tr> <td data-bbox="129 851 794 900">Insulation Resistance</td> <td data-bbox="794 851 1482 900">≥ 5000MΩ</td> </tr> <tr> <td data-bbox="129 900 794 949">Dielectric Withstanding Voltage (at sea level)</td> <td data-bbox="794 900 1482 949">500 V rms</td> </tr> <tr> <td data-bbox="129 949 794 999">Working Voltage (at sea level)</td> <td data-bbox="794 949 1482 999">150 V rms</td> </tr> <tr> <td data-bbox="129 999 794 1133">RF Leakage</td> <td data-bbox="794 999 1482 1133">≥ 100dB to 1GHz</td> </tr> </table>		Impedance	50Ω	Frequency Range	DC to 50GHz	VSWR	≤ 1.35 (DC To 50GHz)	Insertion Loss	≤ 0.07 x √f(GHz) dB	Insulation Resistance	≥ 5000MΩ	Dielectric Withstanding Voltage (at sea level)	500 V rms	Working Voltage (at sea level)	150 V rms	RF Leakage	≥ 100dB to 1GHz
Impedance	50Ω																
Frequency Range	DC to 50GHz																
VSWR	≤ 1.35 (DC To 50GHz)																
Insertion Loss	≤ 0.07 x √f(GHz) dB																
Insulation Resistance	≥ 5000MΩ																
Dielectric Withstanding Voltage (at sea level)	500 V rms																
Working Voltage (at sea level)	150 V rms																
RF Leakage	≥ 100dB to 1GHz																
<div data-bbox="129 1153 531 1202" style="border: 1px solid black; padding: 2px;">Mechanical Data</div> <table data-bbox="129 1202 1482 1536"> <tr> <td data-bbox="129 1202 794 1252">Recommended Coupling Nut Torque</td> <td data-bbox="794 1202 1482 1252">7.08 to 9.74 in-lbs</td> </tr> <tr> <td data-bbox="129 1252 794 1301">Coupling Proof Torque</td> <td data-bbox="794 1252 1482 1301">15 in-lbs</td> </tr> <tr> <td data-bbox="129 1301 794 1350">Coupling Nut Retention Force</td> <td data-bbox="794 1301 1482 1350">≥ 60.7 lbs</td> </tr> <tr> <td data-bbox="129 1350 794 1400">Contact Captivation-axial</td> <td data-bbox="794 1350 1482 1400">≥ 4.5 lbs</td> </tr> <tr> <td data-bbox="129 1400 794 1536">Durability (mating)</td> <td data-bbox="794 1400 1482 1536">≥ 500</td> </tr> </table>		Recommended Coupling Nut Torque	7.08 to 9.74 in-lbs	Coupling Proof Torque	15 in-lbs	Coupling Nut Retention Force	≥ 60.7 lbs	Contact Captivation-axial	≥ 4.5 lbs	Durability (mating)	≥ 500						
Recommended Coupling Nut Torque	7.08 to 9.74 in-lbs																
Coupling Proof Torque	15 in-lbs																
Coupling Nut Retention Force	≥ 60.7 lbs																
Contact Captivation-axial	≥ 4.5 lbs																
Durability (mating)	≥ 500																
<div data-bbox="129 1556 531 1606" style="border: 1px solid black; padding: 2px;">Environmental Data</div> <table data-bbox="129 1606 1482 2089"> <tr> <td data-bbox="129 1606 794 1655">Temperature Range</td> <td data-bbox="794 1606 1482 1655">-55°C to +105°C</td> </tr> <tr> <td data-bbox="129 1655 794 1704">Thermal Shock</td> <td data-bbox="794 1655 1482 1704">MIL-STD-202, Method 107, Condition B</td> </tr> <tr> <td data-bbox="129 1704 794 1753">Moisture Resistance</td> <td data-bbox="794 1704 1482 1753">MIL-STD-202, Method 206</td> </tr> <tr> <td data-bbox="129 1753 794 1803">Corrosion</td> <td data-bbox="794 1753 1482 1803">MIL-STD-202, Method 101, Condition B</td> </tr> <tr> <td data-bbox="129 1803 794 2089">RoHS</td> <td data-bbox="794 1803 1482 2089">Compliant</td> </tr> </table>		Temperature Range	-55°C to +105°C	Thermal Shock	MIL-STD-202, Method 107, Condition B	Moisture Resistance	MIL-STD-202, Method 206	Corrosion	MIL-STD-202, Method 101, Condition B	RoHS	Compliant						
Temperature Range	-55°C to +105°C																
Thermal Shock	MIL-STD-202, Method 107, Condition B																
Moisture Resistance	MIL-STD-202, Method 206																
Corrosion	MIL-STD-202, Method 101, Condition B																
RoHS	Compliant																

# ALS-2.4/3-2.4/8-1.35

