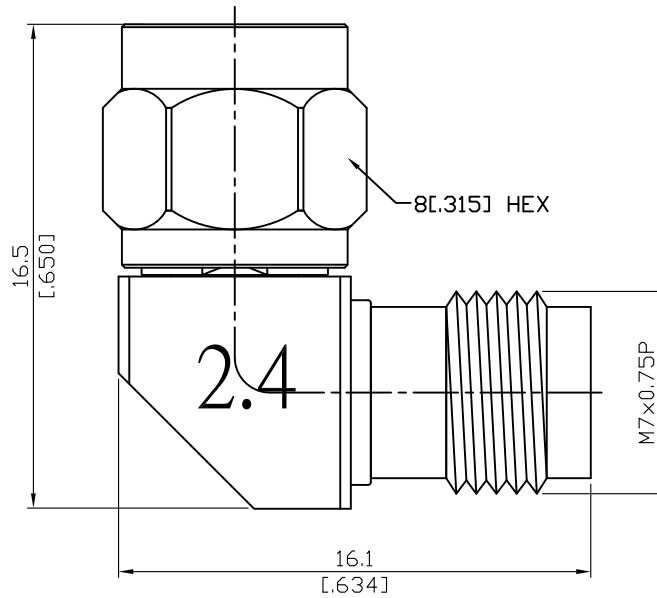


ALS-2.4/3-2.4/8-1.25	Mitered 2.4mm Plug To 2.4mm Jack 50GHz VSWR 1.25	50Ω
----------------------	---	-----



Parts	Material	Plating (Micro-inch)
Insulator	PPO	
Gasket	Silicone	
Centre Contact	Beryllium Copper	Gold 4 Over Nickel-Phosphorus Alloy 80 Over Copper 20
Retainer Ring	Beryllium Copper	Tin-Zinc-Copper-Alloy 100 Over Copper 50
Body	Stainless Steel	Passivated
Coupling Nut	Stainless Steel	Passivated

--	--

This part number complies with RoHS.

Notice: JYEBAO reserves the right to make modifications deemed appropriate.

ALS-2.4/3-2.4/8-1.25	Mitered 2.4mm Plug To 2.4mm Jack 50GHz VSWR 1.25																
<div data-bbox="129 342 531 394" style="border: 1px solid black; padding: 2px;">Interface</div> <table style="width: 100%; border-collapse: collapse;"> <tr> <td style="width: 50%;">Standard</td> <td>MIL-STD-348B</td> </tr> <tr> <td>Mechanically compatible with</td> <td>1.85</td> </tr> </table>		Standard	MIL-STD-348B	Mechanically compatible with	1.85												
Standard	MIL-STD-348B																
Mechanically compatible with	1.85																
<div data-bbox="129 602 531 654" style="border: 1px solid black; padding: 2px;">Electrical Data</div> <table style="width: 100%; border-collapse: collapse;"> <tr> <td style="width: 50%;">Impedance</td> <td>50Ω</td> </tr> <tr> <td>Frequency Range</td> <td>DC to 50GHz</td> </tr> <tr> <td>VSWR</td> <td>≤ 1.25 (DC To 50GHz)</td> </tr> <tr> <td>Insertion Loss</td> <td>≤ 0.07 x √f(GHz) dB</td> </tr> <tr> <td>Insulation Resistance</td> <td>≥ 5000MΩ</td> </tr> <tr> <td>Dielectric Withstanding Voltage (at sea level)</td> <td>500 V rms</td> </tr> <tr> <td>Working Voltage (at sea level)</td> <td>150 V rms</td> </tr> <tr> <td>RF Leakage</td> <td>≥ 100dB to 1GHz</td> </tr> </table>		Impedance	50Ω	Frequency Range	DC to 50GHz	VSWR	≤ 1.25 (DC To 50GHz)	Insertion Loss	≤ 0.07 x √f(GHz) dB	Insulation Resistance	≥ 5000MΩ	Dielectric Withstanding Voltage (at sea level)	500 V rms	Working Voltage (at sea level)	150 V rms	RF Leakage	≥ 100dB to 1GHz
Impedance	50Ω																
Frequency Range	DC to 50GHz																
VSWR	≤ 1.25 (DC To 50GHz)																
Insertion Loss	≤ 0.07 x √f(GHz) dB																
Insulation Resistance	≥ 5000MΩ																
Dielectric Withstanding Voltage (at sea level)	500 V rms																
Working Voltage (at sea level)	150 V rms																
RF Leakage	≥ 100dB to 1GHz																
<div data-bbox="129 1151 531 1202" style="border: 1px solid black; padding: 2px;">Mechanical Data</div> <table style="width: 100%; border-collapse: collapse;"> <tr> <td style="width: 50%;">Recommended Coupling Nut Torque</td> <td>7.08 to 9.74 in-lbs</td> </tr> <tr> <td>Coupling Proof Torque</td> <td>15 in-lbs</td> </tr> <tr> <td>Coupling Nut Retention Force</td> <td>≥ 60.7 lbs</td> </tr> <tr> <td>Contact Captivation-axial</td> <td>≥ 4.5 lbs</td> </tr> <tr> <td>Durability (mating)</td> <td>≥ 500</td> </tr> </table>		Recommended Coupling Nut Torque	7.08 to 9.74 in-lbs	Coupling Proof Torque	15 in-lbs	Coupling Nut Retention Force	≥ 60.7 lbs	Contact Captivation-axial	≥ 4.5 lbs	Durability (mating)	≥ 500						
Recommended Coupling Nut Torque	7.08 to 9.74 in-lbs																
Coupling Proof Torque	15 in-lbs																
Coupling Nut Retention Force	≥ 60.7 lbs																
Contact Captivation-axial	≥ 4.5 lbs																
Durability (mating)	≥ 500																
<div data-bbox="129 1552 531 1603" style="border: 1px solid black; padding: 2px;">Environmental Data</div> <table style="width: 100%; border-collapse: collapse;"> <tr> <td style="width: 50%;">Temperature Range</td> <td>-55°C to +105°C</td> </tr> <tr> <td>Thermal Shock</td> <td>MIL-STD-202, Method 107, Condition B</td> </tr> <tr> <td>Moisture Resistance</td> <td>MIL-STD-202, Method 206</td> </tr> <tr> <td>Corrosion</td> <td>MIL-STD-202, Method 101, Condition B</td> </tr> <tr> <td>RoHS</td> <td>Compliant</td> </tr> </table>		Temperature Range	-55°C to +105°C	Thermal Shock	MIL-STD-202, Method 107, Condition B	Moisture Resistance	MIL-STD-202, Method 206	Corrosion	MIL-STD-202, Method 101, Condition B	RoHS	Compliant						
Temperature Range	-55°C to +105°C																
Thermal Shock	MIL-STD-202, Method 107, Condition B																
Moisture Resistance	MIL-STD-202, Method 206																
Corrosion	MIL-STD-202, Method 101, Condition B																
RoHS	Compliant																

ALS-2.4/3-2.4/8-1.25

