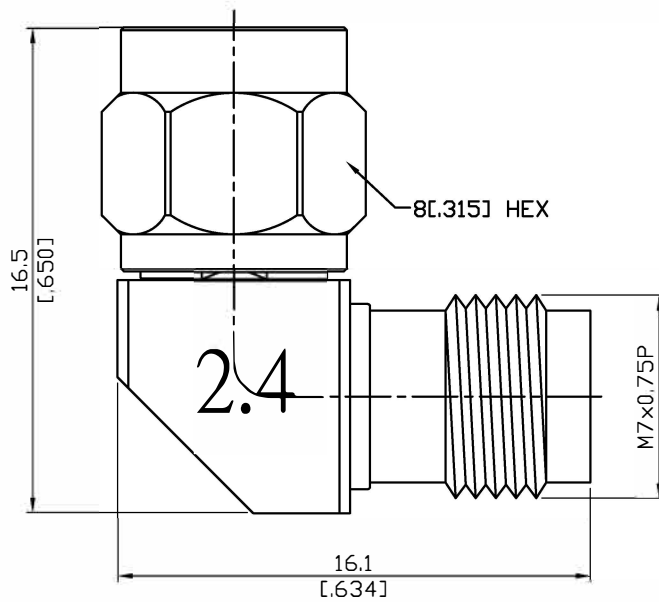


ALS-2.4/3-2.4/8-1.15	Mitered 2.4mm Plug To 2.4mm Jack 50GHz VSWR 1.15	50Ω
----------------------	---	-----



Parts	Material	Plating (Micro-inch)
Insulator	PPO	
Gasket	Silicone	
Centre Contact	Beryllium Copper	Gold 4 Over Nickel-Phosphorus Alloy 80 Over Copper 20
Retainer Ring	Beryllium Copper	Tin-Zinc-Copper-Alloy 100 Over Copper 50
Body	Stainless Steel	Passivated
Coupling Nut	Stainless Steel	Passivated

--	--

This part number complies with RoHS.
 Notice: JYEBAO reserves the right to make modifications deemed appropriate.

ALS-2.4/3-2.4/8-1.15	Mitered 2.4mm Plug To 2.4mm Jack 50GHz VSWR 1.15																		
<table border="0"> <tr> <td colspan="2" data-bbox="129 342 531 394">Interface</td> </tr> <tr> <td data-bbox="129 405 791 439">Standard</td> <td data-bbox="791 405 1482 439">MIL-STD-348B</td> </tr> <tr> <td data-bbox="129 450 791 483">Mechanically compatible with</td> <td data-bbox="791 450 1482 483">1.85</td> </tr> </table>		Interface		Standard	MIL-STD-348B	Mechanically compatible with	1.85												
Interface																			
Standard	MIL-STD-348B																		
Mechanically compatible with	1.85																		
<table border="0"> <tr> <td colspan="2" data-bbox="129 607 531 658">Electrical Data</td> </tr> <tr> <td data-bbox="129 663 791 696">Impedance</td> <td data-bbox="791 663 1482 696">50Ω</td> </tr> <tr> <td data-bbox="129 707 791 741">Frequency Range</td> <td data-bbox="791 707 1482 741">DC to 50GHz</td> </tr> <tr> <td data-bbox="129 752 791 786">VSWR</td> <td data-bbox="791 752 1482 786">≤ 1.15 (DC To 50GHz)</td> </tr> <tr> <td data-bbox="129 797 791 831">Insertion Loss</td> <td data-bbox="791 797 1482 831">≤ 0.07 x √f(GHz) dB</td> </tr> <tr> <td data-bbox="129 842 791 875">Insulation Resistance</td> <td data-bbox="791 842 1482 875">≥ 5000MΩ</td> </tr> <tr> <td data-bbox="129 887 791 920">Dielectric Withstanding Voltage (at sea level)</td> <td data-bbox="791 887 1482 920">500 V rms</td> </tr> <tr> <td data-bbox="129 931 791 965">Working Voltage (at sea level)</td> <td data-bbox="791 931 1482 965">150 V rms</td> </tr> <tr> <td data-bbox="129 976 791 1010">RF Leakage</td> <td data-bbox="791 976 1482 1010">≥ 100dB to 1GHz</td> </tr> </table>		Electrical Data		Impedance	50Ω	Frequency Range	DC to 50GHz	VSWR	≤ 1.15 (DC To 50GHz)	Insertion Loss	≤ 0.07 x √f(GHz) dB	Insulation Resistance	≥ 5000MΩ	Dielectric Withstanding Voltage (at sea level)	500 V rms	Working Voltage (at sea level)	150 V rms	RF Leakage	≥ 100dB to 1GHz
Electrical Data																			
Impedance	50Ω																		
Frequency Range	DC to 50GHz																		
VSWR	≤ 1.15 (DC To 50GHz)																		
Insertion Loss	≤ 0.07 x √f(GHz) dB																		
Insulation Resistance	≥ 5000MΩ																		
Dielectric Withstanding Voltage (at sea level)	500 V rms																		
Working Voltage (at sea level)	150 V rms																		
RF Leakage	≥ 100dB to 1GHz																		
<table border="0"> <tr> <td colspan="2" data-bbox="129 1155 531 1207">Mechanical Data</td> </tr> <tr> <td data-bbox="129 1211 791 1245">Recommended Coupling Nut Torque</td> <td data-bbox="791 1211 1482 1245">7.08 to 9.74 in-lbs</td> </tr> <tr> <td data-bbox="129 1256 791 1290">Coupling Proof Torque</td> <td data-bbox="791 1256 1482 1290">15 in-lbs</td> </tr> <tr> <td data-bbox="129 1301 791 1335">Coupling Nut Retention Force</td> <td data-bbox="791 1301 1482 1335">≥ 60.7 lbs</td> </tr> <tr> <td data-bbox="129 1346 791 1379">Contact Captivation-axial</td> <td data-bbox="791 1346 1482 1379">≥ 4.5 lbs</td> </tr> <tr> <td data-bbox="129 1391 791 1424">Durability (mating)</td> <td data-bbox="791 1391 1482 1424">≥ 500</td> </tr> </table>		Mechanical Data		Recommended Coupling Nut Torque	7.08 to 9.74 in-lbs	Coupling Proof Torque	15 in-lbs	Coupling Nut Retention Force	≥ 60.7 lbs	Contact Captivation-axial	≥ 4.5 lbs	Durability (mating)	≥ 500						
Mechanical Data																			
Recommended Coupling Nut Torque	7.08 to 9.74 in-lbs																		
Coupling Proof Torque	15 in-lbs																		
Coupling Nut Retention Force	≥ 60.7 lbs																		
Contact Captivation-axial	≥ 4.5 lbs																		
Durability (mating)	≥ 500																		
<table border="0"> <tr> <td colspan="2" data-bbox="129 1559 531 1610">Environmental Data</td> </tr> <tr> <td data-bbox="129 1615 791 1648">Temperature Range</td> <td data-bbox="791 1615 1482 1648">-55°C to +105°C</td> </tr> <tr> <td data-bbox="129 1659 791 1693">Thermal Shock</td> <td data-bbox="791 1659 1482 1693">MIL-STD-202, Method 107, Condition B</td> </tr> <tr> <td data-bbox="129 1704 791 1738">Moisture Resistance</td> <td data-bbox="791 1704 1482 1738">MIL-STD-202, Method 206</td> </tr> <tr> <td data-bbox="129 1749 791 1783">Corrosion</td> <td data-bbox="791 1749 1482 1783">MIL-STD-202, Method 101, Condition B</td> </tr> <tr> <td data-bbox="129 1794 791 1827">RoHS</td> <td data-bbox="791 1794 1482 1827">Compliant</td> </tr> </table>		Environmental Data		Temperature Range	-55°C to +105°C	Thermal Shock	MIL-STD-202, Method 107, Condition B	Moisture Resistance	MIL-STD-202, Method 206	Corrosion	MIL-STD-202, Method 101, Condition B	RoHS	Compliant						
Environmental Data																			
Temperature Range	-55°C to +105°C																		
Thermal Shock	MIL-STD-202, Method 107, Condition B																		
Moisture Resistance	MIL-STD-202, Method 206																		
Corrosion	MIL-STD-202, Method 101, Condition B																		
RoHS	Compliant																		

ALS-2.4/3-2.4/8-1.15

