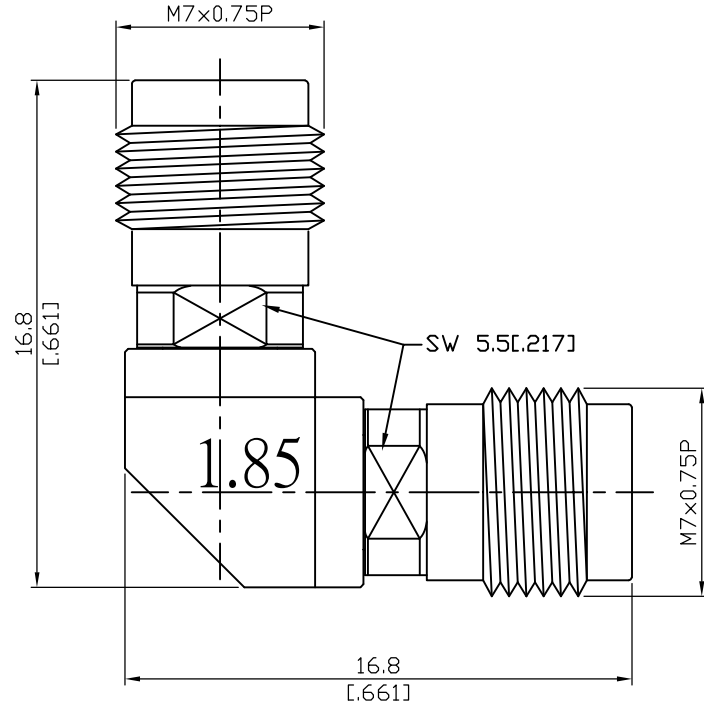


ALS-1.85/8-1.85/8-1.45	1.85mm Jack To 1.85mm Jack Right Angle 70GHz VSWR 1.45	50Ω
------------------------	-----------------------------------------------------------	-----



Parts	Material	Plating (Micro-inch)
Insulator	PPO & PEI	
Contact Pin	Beryllium Copper	Gold 4 Over Nickel-Phosphorus Alloy 80 Over Copper 20
Body	Stainless Steel	Passivated

This part number complies with RoHS.

Notice: JYEBAO reserves the right to make modifications deemed appropriate.

ALS-1.85/8-1.85/8-1.45	1.85mm Jack To 1.85mm Jack Right Angle 70GHz VSWR 1.45																
<table border="0"> <tr> <td colspan="2" data-bbox="129 342 531 394">Interface</td> </tr> <tr> <td data-bbox="129 405 774 439">Standard</td> <td data-bbox="794 405 1463 439">IEEE287; IEC61169-32</td> </tr> <tr> <td data-bbox="129 450 774 483">Mechanically compatible with</td> <td data-bbox="794 450 1463 483">2.4</td> </tr> </table>		Interface		Standard	IEEE287; IEC61169-32	Mechanically compatible with	2.4										
Interface																	
Standard	IEEE287; IEC61169-32																
Mechanically compatible with	2.4																
<table border="0"> <tr> <td colspan="2" data-bbox="129 604 531 656">Electrical Data</td> </tr> <tr> <td data-bbox="129 667 774 701">Impedance</td> <td data-bbox="794 667 1463 701">50Ω</td> </tr> <tr> <td data-bbox="129 712 774 745">Frequency Range</td> <td data-bbox="794 712 1463 745">DC to 70GHz</td> </tr> <tr> <td data-bbox="129 757 774 790">VSWR</td> <td data-bbox="794 757 1463 790">≤ 1.45 (DC To 70GHz)</td> </tr> <tr> <td data-bbox="129 801 774 835">Insulation Resistance</td> <td data-bbox="794 801 1463 835">≥ 5000MΩ</td> </tr> <tr> <td data-bbox="129 846 774 880">Dielectric Withstanding Voltage (at sea level)</td> <td data-bbox="794 846 1463 880">500 V rms</td> </tr> <tr> <td data-bbox="129 891 774 925">Working Voltage (at sea level)</td> <td data-bbox="794 891 1463 925">150 V rms</td> </tr> <tr> <td data-bbox="129 936 774 969">RF Leakage</td> <td data-bbox="794 936 1463 969">≥ 100 dB to 1GHz</td> </tr> </table>		Electrical Data		Impedance	50Ω	Frequency Range	DC to 70GHz	VSWR	≤ 1.45 (DC To 70GHz)	Insulation Resistance	≥ 5000MΩ	Dielectric Withstanding Voltage (at sea level)	500 V rms	Working Voltage (at sea level)	150 V rms	RF Leakage	≥ 100 dB to 1GHz
Electrical Data																	
Impedance	50Ω																
Frequency Range	DC to 70GHz																
VSWR	≤ 1.45 (DC To 70GHz)																
Insulation Resistance	≥ 5000MΩ																
Dielectric Withstanding Voltage (at sea level)	500 V rms																
Working Voltage (at sea level)	150 V rms																
RF Leakage	≥ 100 dB to 1GHz																
<table border="0"> <tr> <td colspan="2" data-bbox="129 1104 531 1155">Mechanical Data</td> </tr> <tr> <td data-bbox="129 1167 774 1200">Recommended Coupling Nut Torque</td> <td data-bbox="794 1167 1463 1200">7.08 to 9.74 inch lbs</td> </tr> <tr> <td data-bbox="129 1211 774 1245">Coupling Proof Torque</td> <td data-bbox="794 1211 1463 1245">15 inch-lbs</td> </tr> <tr> <td data-bbox="129 1256 774 1290">Contact Captivation-axial</td> <td data-bbox="794 1256 1463 1290">≥ 4.5 lbs</td> </tr> <tr> <td data-bbox="129 1301 774 1335">Durability (mating)</td> <td data-bbox="794 1301 1463 1335">≥ 500</td> </tr> </table>		Mechanical Data		Recommended Coupling Nut Torque	7.08 to 9.74 inch lbs	Coupling Proof Torque	15 inch-lbs	Contact Captivation-axial	≥ 4.5 lbs	Durability (mating)	≥ 500						
Mechanical Data																	
Recommended Coupling Nut Torque	7.08 to 9.74 inch lbs																
Coupling Proof Torque	15 inch-lbs																
Contact Captivation-axial	≥ 4.5 lbs																
Durability (mating)	≥ 500																
<table border="0"> <tr> <td colspan="2" data-bbox="129 1456 531 1507">Environmental Data</td> </tr> <tr> <td data-bbox="129 1518 774 1552">Temperature Range</td> <td data-bbox="794 1518 1463 1552">-55°C to +105°C</td> </tr> <tr> <td data-bbox="129 1563 774 1597">Thermal Shock</td> <td data-bbox="794 1563 1463 1597">MIL-STD-202, Method 107, Condition B</td> </tr> <tr> <td data-bbox="129 1608 774 1641">Moisture Resistance</td> <td data-bbox="794 1608 1463 1641">MIL-STD-202, Method 206</td> </tr> <tr> <td data-bbox="129 1653 774 1686">Corrosion</td> <td data-bbox="794 1653 1463 1686">MIL-STD-202, Method 101, Condition B</td> </tr> <tr> <td data-bbox="129 1697 774 1731">RoHS</td> <td data-bbox="794 1697 1463 1731">Compliant</td> </tr> </table>		Environmental Data		Temperature Range	-55°C to +105°C	Thermal Shock	MIL-STD-202, Method 107, Condition B	Moisture Resistance	MIL-STD-202, Method 206	Corrosion	MIL-STD-202, Method 101, Condition B	RoHS	Compliant				
Environmental Data																	
Temperature Range	-55°C to +105°C																
Thermal Shock	MIL-STD-202, Method 107, Condition B																
Moisture Resistance	MIL-STD-202, Method 206																
Corrosion	MIL-STD-202, Method 101, Condition B																
RoHS	Compliant																