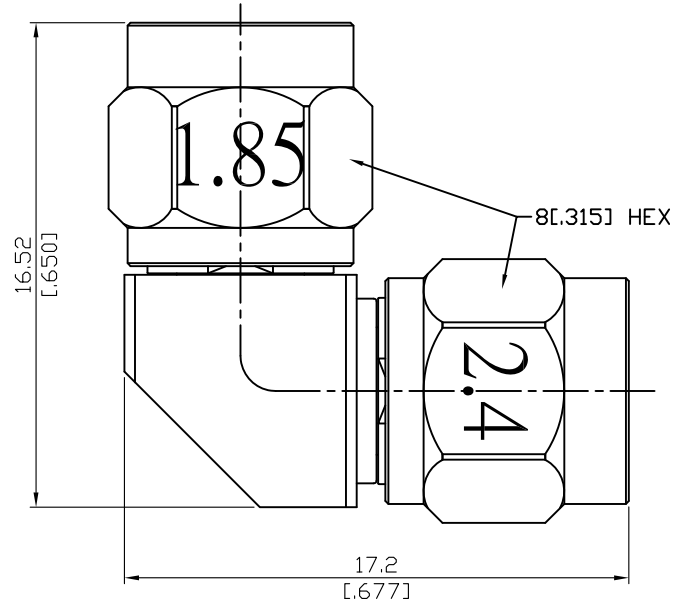


ALS-1.85/3-2.4/3-1.3	Mitered 1.85mm Plug To 2.4mm Plug 50GHz VSWR 1.35	50Ω
----------------------	--	-----



Parts	Material	Plating (Micro-inch)
Insulator	PPO	
Gasket	Silicone	
Centre Contact	Beryllium Copper	Gold 4 Over Nickel-Phosphorus Alloy 80 Over Copper 20
Retainer Ring	Beryllium Copper	Tin-Zinc-Copper-Alloy 100 Over Copper 50
Body	Stainless Steel	Passivated
Coupling Nut	Stainless Steel	Passivated

--	--

This part number complies with RoHS.

Notice: JYEBAO reserves the right to make modifications deemed appropriate.

ALS-1.85/3-2.4/3-1.3	Mitered 1.85mm Plug To 2.4mm Plug 50GHz VSWR 1.35																			
<table border="1"> <tr> <td data-bbox="113 324 531 392">Interface</td> <td data-bbox="531 324 1123 392">1.85</td> <td data-bbox="1123 324 1479 392">2.4</td> </tr> <tr> <td data-bbox="113 392 531 443">Standard</td> <td data-bbox="531 392 1123 443">IEEE287; IEC61169-32</td> <td data-bbox="1123 392 1479 443">MIL-STD-348B</td> </tr> <tr> <td data-bbox="113 443 531 584">Mechanically compatible with</td> <td data-bbox="531 443 1123 584">2.4</td> <td data-bbox="1123 443 1479 584">1.85</td> </tr> </table>	Interface	1.85	2.4	Standard	IEEE287; IEC61169-32	MIL-STD-348B	Mechanically compatible with	2.4	1.85											
Interface	1.85	2.4																		
Standard	IEEE287; IEC61169-32	MIL-STD-348B																		
Mechanically compatible with	2.4	1.85																		
<table border="1"> <tr> <td data-bbox="113 584 531 651">Electrical Data</td> <td data-bbox="531 584 1479 1131"></td> </tr> <tr> <td data-bbox="113 651 531 703">Impedance</td> <td data-bbox="531 651 1479 703">50Ω</td> </tr> <tr> <td data-bbox="113 703 531 754">Frequency Range</td> <td data-bbox="531 703 1479 754">DC To 50GHz</td> </tr> <tr> <td data-bbox="113 754 531 806">VSWR</td> <td data-bbox="531 754 1479 806">≤ 1.35 (DC To 50GHz)</td> </tr> <tr> <td data-bbox="113 806 531 857">Insertion Loss</td> <td data-bbox="531 806 1479 857">≤ 0.08 x √f(GHz) dB</td> </tr> <tr> <td data-bbox="113 857 531 909">Insulation Resistance</td> <td data-bbox="531 857 1479 909">≥ 5000MΩ</td> </tr> <tr> <td data-bbox="113 909 531 960">Dielectric Withstanding Voltage (at sea level)</td> <td data-bbox="531 909 1479 960">500 V rms</td> </tr> <tr> <td data-bbox="113 960 531 1012">Working Voltage (at sea level)</td> <td data-bbox="531 960 1479 1012">150 V rms</td> </tr> <tr> <td data-bbox="113 1012 531 1131">RF leakage</td> <td data-bbox="531 1012 1479 1131">≥ 100dB to 1GHz</td> </tr> </table>			Electrical Data		Impedance	50Ω	Frequency Range	DC To 50GHz	VSWR	≤ 1.35 (DC To 50GHz)	Insertion Loss	≤ 0.08 x √f(GHz) dB	Insulation Resistance	≥ 5000MΩ	Dielectric Withstanding Voltage (at sea level)	500 V rms	Working Voltage (at sea level)	150 V rms	RF leakage	≥ 100dB to 1GHz
Electrical Data																				
Impedance	50Ω																			
Frequency Range	DC To 50GHz																			
VSWR	≤ 1.35 (DC To 50GHz)																			
Insertion Loss	≤ 0.08 x √f(GHz) dB																			
Insulation Resistance	≥ 5000MΩ																			
Dielectric Withstanding Voltage (at sea level)	500 V rms																			
Working Voltage (at sea level)	150 V rms																			
RF leakage	≥ 100dB to 1GHz																			
<table border="1"> <tr> <td data-bbox="113 1131 531 1198">Mechanical Data</td> <td data-bbox="531 1131 1479 1485"></td> </tr> <tr> <td data-bbox="113 1198 531 1249">Recommended Coupling Nut Torque</td> <td data-bbox="531 1198 1479 1249">7.08 to 9.74 inch lbs</td> </tr> <tr> <td data-bbox="113 1249 531 1301">Coupling Proof Torque</td> <td data-bbox="531 1249 1479 1301">15 inch lbs</td> </tr> <tr> <td data-bbox="113 1301 531 1352">Contact Captivation-axial</td> <td data-bbox="531 1301 1479 1352">≥ 4.5 lbs</td> </tr> <tr> <td data-bbox="113 1352 531 1485">Durability (mating)</td> <td data-bbox="531 1352 1479 1485">≥ 500</td> </tr> </table>			Mechanical Data		Recommended Coupling Nut Torque	7.08 to 9.74 inch lbs	Coupling Proof Torque	15 inch lbs	Contact Captivation-axial	≥ 4.5 lbs	Durability (mating)	≥ 500								
Mechanical Data																				
Recommended Coupling Nut Torque	7.08 to 9.74 inch lbs																			
Coupling Proof Torque	15 inch lbs																			
Contact Captivation-axial	≥ 4.5 lbs																			
Durability (mating)	≥ 500																			
<table border="1"> <tr> <td data-bbox="113 1485 531 1552">Environmental Data</td> <td data-bbox="531 1485 1479 2072"></td> </tr> <tr> <td data-bbox="113 1552 531 1603">Temperature Range</td> <td data-bbox="531 1552 1479 1603">-55°C to +105°C</td> </tr> <tr> <td data-bbox="113 1603 531 1655">Thermal Shock</td> <td data-bbox="531 1603 1479 1655">MIL-STD-202, Method 107, Condition B</td> </tr> <tr> <td data-bbox="113 1655 531 1706">Moisture Resistance</td> <td data-bbox="531 1655 1479 1706">MIL-STD-202, Method 206</td> </tr> <tr> <td data-bbox="113 1706 531 1758">Corrosion</td> <td data-bbox="531 1706 1479 1758">MIL-STD-202, Method 101, Condition B</td> </tr> <tr> <td data-bbox="113 1758 531 2072">RoHS</td> <td data-bbox="531 1758 1479 2072">Compliant</td> </tr> </table>			Environmental Data		Temperature Range	-55°C to +105°C	Thermal Shock	MIL-STD-202, Method 107, Condition B	Moisture Resistance	MIL-STD-202, Method 206	Corrosion	MIL-STD-202, Method 101, Condition B	RoHS	Compliant						
Environmental Data																				
Temperature Range	-55°C to +105°C																			
Thermal Shock	MIL-STD-202, Method 107, Condition B																			
Moisture Resistance	MIL-STD-202, Method 206																			
Corrosion	MIL-STD-202, Method 101, Condition B																			
RoHS	Compliant																			

Notice: JYEBAO reserves the right to make modifications deemed appropriate.

ALS-1.85/3-2.4/3-1.3

