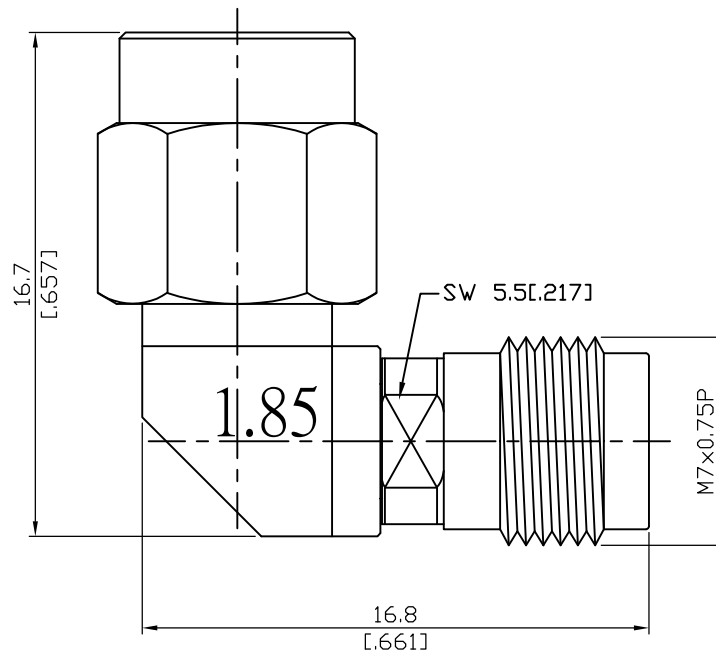


ALS-1.85/3-1.85/8-1.35	1.85mm Plug To 1.85mm Jack Right Angle 70GHz VSWR 1.35	50Ω
------------------------	---	-----



Parts	Material	Plating (Micro-inch)
Coupling Nut	Stainless Steel	Passivated
Body	Stainless Steel	Passivated
Contact Pin	Beryllium Copper	Gold 4 Over Nickel-Phosphorus Alloy 80 Over Copper 20
Gasket	Silicone	
Retainer Ring	Beryllium Copper	Tin-Zinc-Copper-Alloy 100 Over Copper 50
Insulator	PPO & PEI	

This part number complies with RoHS.

Notice: JYEBAO reserves the right to make modifications deemed appropriate.

ALS-1.85/3-1.85/8-1.35	1.85mm Plug To 1.85mm Jack Right Angle 70GHz VSWR 1.35																
<table border="0"> <tr> <td colspan="2" data-bbox="129 342 531 394">Interface</td> </tr> <tr> <td data-bbox="129 400 791 434">Standard</td> <td data-bbox="791 400 1479 434">IEEE287; IEC61169-32</td> </tr> <tr> <td data-bbox="129 450 791 483">Mechanically compatible with</td> <td data-bbox="791 450 1479 483">2.4</td> </tr> </table>		Interface		Standard	IEEE287; IEC61169-32	Mechanically compatible with	2.4										
Interface																	
Standard	IEEE287; IEC61169-32																
Mechanically compatible with	2.4																
<table border="0"> <tr> <td colspan="2" data-bbox="129 604 531 656">Electrical Data</td> </tr> <tr> <td data-bbox="129 663 791 696">Impedance</td> <td data-bbox="791 663 1479 696">50Ω</td> </tr> <tr> <td data-bbox="129 712 791 745">Frequency Range</td> <td data-bbox="791 712 1479 745">DC to 70GHz</td> </tr> <tr> <td data-bbox="129 761 791 795">VSWR</td> <td data-bbox="791 761 1479 795">≤ 1.35 (DC To 70GHz)</td> </tr> <tr> <td data-bbox="129 810 791 844">Insulation Resistance</td> <td data-bbox="791 810 1479 844">≥ 5000MΩ</td> </tr> <tr> <td data-bbox="129 860 791 893">Dielectric Withstanding Voltage (at sea level)</td> <td data-bbox="791 860 1479 893">500 V rms</td> </tr> <tr> <td data-bbox="129 909 791 943">Working Voltage (at sea level)</td> <td data-bbox="791 909 1479 943">150 V rms</td> </tr> <tr> <td data-bbox="129 958 791 992">RF Leakage</td> <td data-bbox="791 958 1479 992">≥ 100 dB to 1GHz</td> </tr> </table>		Electrical Data		Impedance	50Ω	Frequency Range	DC to 70GHz	VSWR	≤ 1.35 (DC To 70GHz)	Insulation Resistance	≥ 5000MΩ	Dielectric Withstanding Voltage (at sea level)	500 V rms	Working Voltage (at sea level)	150 V rms	RF Leakage	≥ 100 dB to 1GHz
Electrical Data																	
Impedance	50Ω																
Frequency Range	DC to 70GHz																
VSWR	≤ 1.35 (DC To 70GHz)																
Insulation Resistance	≥ 5000MΩ																
Dielectric Withstanding Voltage (at sea level)	500 V rms																
Working Voltage (at sea level)	150 V rms																
RF Leakage	≥ 100 dB to 1GHz																
<table border="0"> <tr> <td colspan="2" data-bbox="129 1104 531 1155">Mechanical Data</td> </tr> <tr> <td data-bbox="129 1162 791 1196">Recommended Coupling Nut Torque</td> <td data-bbox="791 1162 1479 1196">7.08 to 9.74 inch lbs</td> </tr> <tr> <td data-bbox="129 1211 791 1245">Coupling Proof Torque</td> <td data-bbox="791 1211 1479 1245">15 inch-lbs</td> </tr> <tr> <td data-bbox="129 1261 791 1294">Contact Captivation-axial</td> <td data-bbox="791 1261 1479 1294">≥ 4.5 lbs</td> </tr> <tr> <td data-bbox="129 1310 791 1344">Durability (mating)</td> <td data-bbox="791 1310 1479 1344">≥ 500</td> </tr> </table>		Mechanical Data		Recommended Coupling Nut Torque	7.08 to 9.74 inch lbs	Coupling Proof Torque	15 inch-lbs	Contact Captivation-axial	≥ 4.5 lbs	Durability (mating)	≥ 500						
Mechanical Data																	
Recommended Coupling Nut Torque	7.08 to 9.74 inch lbs																
Coupling Proof Torque	15 inch-lbs																
Contact Captivation-axial	≥ 4.5 lbs																
Durability (mating)	≥ 500																
<table border="0"> <tr> <td colspan="2" data-bbox="129 1456 531 1507">Environmental Data</td> </tr> <tr> <td data-bbox="129 1514 791 1547">Temperature Range</td> <td data-bbox="791 1514 1479 1547">-55°C to +105°C</td> </tr> <tr> <td data-bbox="129 1563 791 1597">Thermal Shock</td> <td data-bbox="791 1563 1479 1597">MIL-STD-202, Method 107, Condition B</td> </tr> <tr> <td data-bbox="129 1612 791 1646">Moisture Resistance</td> <td data-bbox="791 1612 1479 1646">MIL-STD-202, Method 206</td> </tr> <tr> <td data-bbox="129 1662 791 1695">Corrosion</td> <td data-bbox="791 1662 1479 1695">MIL-STD-202, Method 101, Condition B</td> </tr> <tr> <td data-bbox="129 1711 791 1744">RoHS</td> <td data-bbox="791 1711 1479 1744">Compliant</td> </tr> </table>		Environmental Data		Temperature Range	-55°C to +105°C	Thermal Shock	MIL-STD-202, Method 107, Condition B	Moisture Resistance	MIL-STD-202, Method 206	Corrosion	MIL-STD-202, Method 101, Condition B	RoHS	Compliant				
Environmental Data																	
Temperature Range	-55°C to +105°C																
Thermal Shock	MIL-STD-202, Method 107, Condition B																
Moisture Resistance	MIL-STD-202, Method 206																
Corrosion	MIL-STD-202, Method 101, Condition B																
RoHS	Compliant																