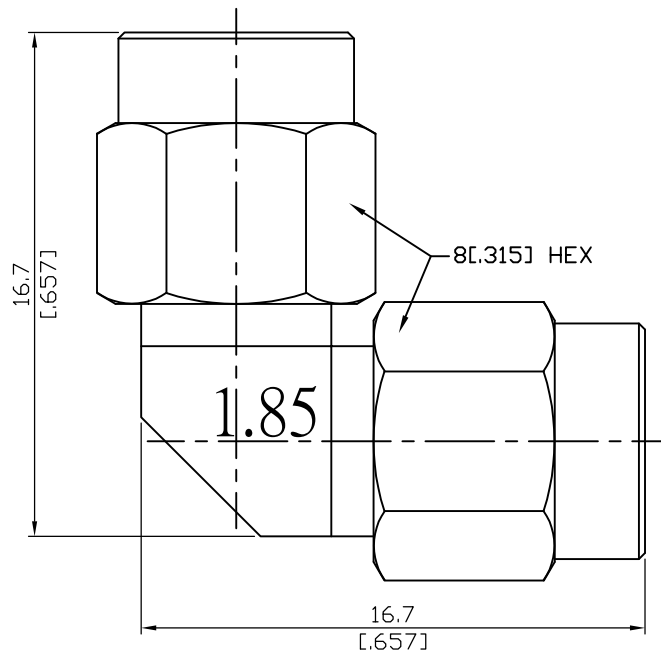


ALS-1.85/3-1.85/3-1.35	1.85mm Plug To 1.85mm Plug Right Angle	50Ω
70GHz VSWR 1.35		



Parts	Material	Plating ( Micro-inch )
Coupling Nut	Stainless Steel	Passivated
Body	Stainless Steel	Passivated
Contact Pin	Beryllium Copper	Gold 4 Over Nickel-Phosphorus Alloy 80 Over Copper 20
Gasket	Silicone	
Retainer Ring	Beryllium Copper	Tin-Zinc-Copper-Alloy 100 Over Copper 50
Insulator	PPO & PEI	

This part number complies with RoHS.

Notice: JYEBAO reserves the right to make modifications deemed appropriate.

ALS-1.85/3-1.85/3-1.35	1.85mm Plug To 1.85mm Plug Right Angle 70GHz VSWR 1.35																
<table border="0"> <tr> <td colspan="2" data-bbox="129 342 531 394"><b>Interface</b></td> </tr> <tr> <td data-bbox="129 400 791 434">Standard</td> <td data-bbox="791 400 1479 434">IEEE287; IEC61169-32</td> </tr> <tr> <td data-bbox="129 445 791 479">Mechanically compatible with</td> <td data-bbox="791 445 1479 479">2.4</td> </tr> </table>		<b>Interface</b>		Standard	IEEE287; IEC61169-32	Mechanically compatible with	2.4										
<b>Interface</b>																	
Standard	IEEE287; IEC61169-32																
Mechanically compatible with	2.4																
<table border="0"> <tr> <td colspan="2" data-bbox="129 604 531 656"><b>Electrical Data</b></td> </tr> <tr> <td data-bbox="129 663 791 696">Impedance</td> <td data-bbox="791 663 1479 696">50Ω</td> </tr> <tr> <td data-bbox="129 707 791 741">Frequency Range</td> <td data-bbox="791 707 1479 741">DC to 70GHz</td> </tr> <tr> <td data-bbox="129 752 791 786">VSWR</td> <td data-bbox="791 752 1479 786">≤ 1.35 (DC To 70GHz)</td> </tr> <tr> <td data-bbox="129 797 791 831">Insulation Resistance</td> <td data-bbox="791 797 1479 831">≥ 5000MΩ</td> </tr> <tr> <td data-bbox="129 842 791 875">Dielectric Withstanding Voltage (at sea level)</td> <td data-bbox="791 842 1479 875">500 V rms</td> </tr> <tr> <td data-bbox="129 887 791 920">Working Voltage (at sea level)</td> <td data-bbox="791 887 1479 920">150 V rms</td> </tr> <tr> <td data-bbox="129 931 791 965">RF Leakage</td> <td data-bbox="791 931 1479 965">≥ 100 dB to 1GHz</td> </tr> </table>		<b>Electrical Data</b>		Impedance	50Ω	Frequency Range	DC to 70GHz	VSWR	≤ 1.35 (DC To 70GHz)	Insulation Resistance	≥ 5000MΩ	Dielectric Withstanding Voltage (at sea level)	500 V rms	Working Voltage (at sea level)	150 V rms	RF Leakage	≥ 100 dB to 1GHz
<b>Electrical Data</b>																	
Impedance	50Ω																
Frequency Range	DC to 70GHz																
VSWR	≤ 1.35 (DC To 70GHz)																
Insulation Resistance	≥ 5000MΩ																
Dielectric Withstanding Voltage (at sea level)	500 V rms																
Working Voltage (at sea level)	150 V rms																
RF Leakage	≥ 100 dB to 1GHz																
<table border="0"> <tr> <td colspan="2" data-bbox="129 1102 531 1153"><b>Mechanical Data</b></td> </tr> <tr> <td data-bbox="129 1160 791 1193">Recommended Coupling Nut Torque</td> <td data-bbox="791 1160 1479 1193">7.08 to 9.74 inch lbs</td> </tr> <tr> <td data-bbox="129 1205 791 1238">Coupling Proof Torque</td> <td data-bbox="791 1205 1479 1238">15 inch-lbs</td> </tr> <tr> <td data-bbox="129 1249 791 1283">Contact Captivation-axial</td> <td data-bbox="791 1249 1479 1283">≥ 4.5 lbs</td> </tr> <tr> <td data-bbox="129 1294 791 1328">Durability (mating)</td> <td data-bbox="791 1294 1479 1328">≥ 500</td> </tr> </table>		<b>Mechanical Data</b>		Recommended Coupling Nut Torque	7.08 to 9.74 inch lbs	Coupling Proof Torque	15 inch-lbs	Contact Captivation-axial	≥ 4.5 lbs	Durability (mating)	≥ 500						
<b>Mechanical Data</b>																	
Recommended Coupling Nut Torque	7.08 to 9.74 inch lbs																
Coupling Proof Torque	15 inch-lbs																
Contact Captivation-axial	≥ 4.5 lbs																
Durability (mating)	≥ 500																
<table border="0"> <tr> <td colspan="2" data-bbox="129 1456 531 1507"><b>Environmental Data</b></td> </tr> <tr> <td data-bbox="129 1514 791 1547">Temperature Range</td> <td data-bbox="791 1514 1479 1547">-55°C to +105°C</td> </tr> <tr> <td data-bbox="129 1559 791 1592">Thermal Shock</td> <td data-bbox="791 1559 1479 1592">MIL-STD-202, Method 107, Condition B</td> </tr> <tr> <td data-bbox="129 1603 791 1637">Moisture Resistance</td> <td data-bbox="791 1603 1479 1637">MIL-STD-202, Method 206</td> </tr> <tr> <td data-bbox="129 1648 791 1682">Corrosion</td> <td data-bbox="791 1648 1479 1682">MIL-STD-202, Method 101, Condition B</td> </tr> <tr> <td data-bbox="129 1693 791 1727">RoHS</td> <td data-bbox="791 1693 1479 1727">Compliant</td> </tr> </table>		<b>Environmental Data</b>		Temperature Range	-55°C to +105°C	Thermal Shock	MIL-STD-202, Method 107, Condition B	Moisture Resistance	MIL-STD-202, Method 206	Corrosion	MIL-STD-202, Method 101, Condition B	RoHS	Compliant				
<b>Environmental Data</b>																	
Temperature Range	-55°C to +105°C																
Thermal Shock	MIL-STD-202, Method 107, Condition B																
Moisture Resistance	MIL-STD-202, Method 206																
Corrosion	MIL-STD-202, Method 101, Condition B																
RoHS	Compliant																