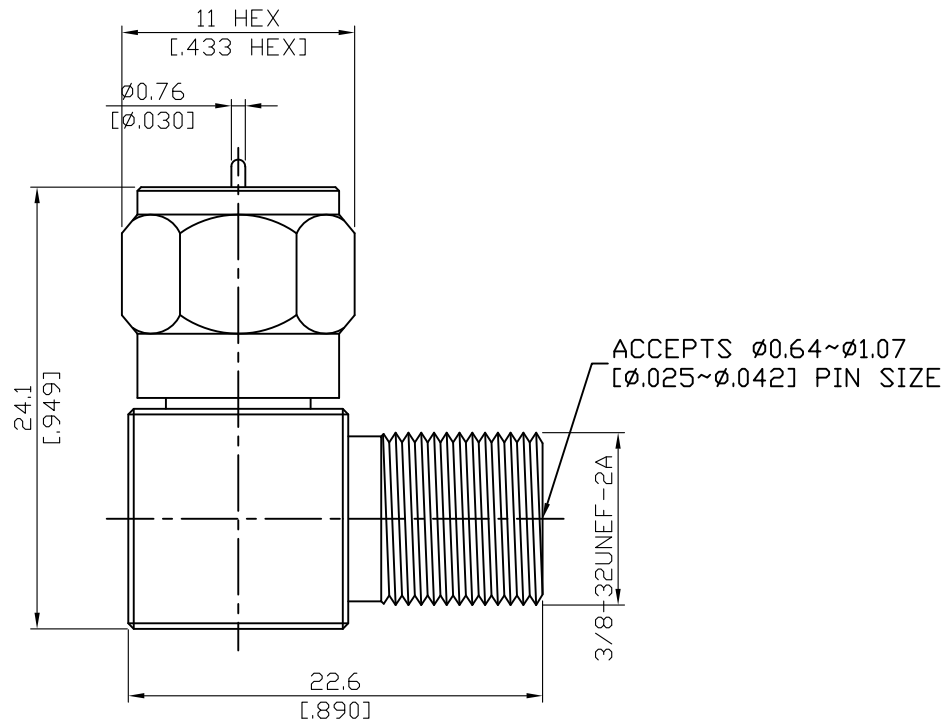


AL-F3F8	F Plug To F Jack Right Angle 1GHz VSWR 1.2	75Ω
---------	---	-----



Parts	Material	Plating (Micro-inch)
Insulator	Teflon & PE	
Contact Pin(Jack)	Beryllium Copper	Gold 4 Over Nickel-Phosphorus Alloy 80 Over Copper 20
Center Pin(Plug)	Phosphor Bronze	Gold 4 Over Nickel-Phosphorus Alloy 80 Over Copper 20
Retainer Ring	Brass	Tin-Zinc-Copper-Alloy 100 Over Copper 50
Body	Brass	Tin-Zinc-Copper-Alloy 100 Over Copper 50
Coupling Nut	Brass	Tin-Zinc-Copper-Alloy 100 Over Copper 50

Weight: 18.49g	
----------------	--

This part number complies with RoHS.

Notice: JYEBAO reserves the right to make modifications deemed appropriate.

AL-F3F8	F Plug To F Jack Right Angle 1GHz VSWR 1.2
<div style="border: 1px solid black; padding: 2px; margin-bottom: 5px;">Interface</div> <p>Standard IEC 61169-24</p>	
<div style="border: 1px solid black; padding: 2px; margin-bottom: 5px;">Electrical Data</div> <p>Impedance 75Ω Frequency Range DC to 1GHz VSWR ≤ 1.2 (DC To 1GHz) Insulation Resistance ≥ 10000MΩ Dielectric Withstanding Voltage (at sea level) 1500 V rms Working Voltage (at sea level) 500 V rms</p>	
<div style="border: 1px solid black; padding: 2px; margin-bottom: 5px;">Mechanical Data</div> <p>Recommended Coupling Nut Torque 15 to 20 in-lbs Coupling Proof Torque 60 in-lbs Durability (mating) ≥ 500 Accepts male pin size Φ0.64~Φ1.07 (Φ.025~Φ.042)</p>	
<div style="border: 1px solid black; padding: 2px; margin-bottom: 5px;">Environmental Data</div> <p>Temperature Range -40°C to +85°C Thermal Shock MIL-STD-202, Method 107, Condition B Moisture Resistance MIL-STD-202, Method 206 Corrosion MIL-STD-202, Method 101, Condition B RoHS Compliant</p>	

Notice: JYEBAO reserves the right to make modifications deemed appropriate.