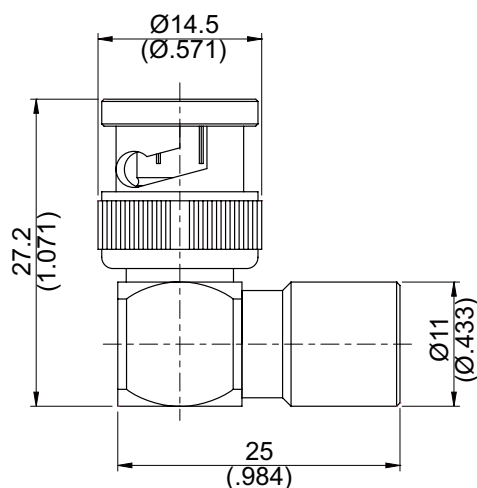


AL-B3FME3/BL

**Black Chromium BNC Plug to FME Plug 50Ω**  
**Right Angle, 1GHz VSWR 1.2**



Parts	Material	Plating (Micro-inch)
Gasket	Silicon	
Washer	Brass	Tin-Zinc-Copper-Alloy 100 Over Copper 50
Sping	SK5	Tin-Zinc-Copper-Alloy 100 Over Copper 50
Insulator	POM	
Contact Pin	Brass	Gold 4 Over Nickel-Phosphorus Alloy 80 Over Copper 20
Insulator	Teflon	
Coupling Nut	Brass	Black Chromium 5 Over Copper 50
Body	Brass	Black Chromium 5 Over Copper 50

Weight:

This part number complies with RoHS.

Notice: JYEBAO reserves the right to make modifications deemed appropriate.

AL-B3FME3/BL	Black Chromium BNC Plug to FME Plug Right Angle, 1GHz VSWR 1.2	
<div style="border: 1px solid black; padding: 2px;">Interface</div> <p>Standard</p>	BNC MIL-STD-348B	FME Jyebao FME series
<div style="border: 1px solid black; padding: 2px;">Electrical Data</div> <p>Impedance</p> <p>Frequency Range</p> <p>VSWR</p> <p>Insulation Resistance</p> <p>Dielectric Withstanding Voltage (at sea level)</p> <p>Working Voltage (at sea level)</p>	<p>50Ω</p> <p>DC To 1GHz</p> <p>≤ 1.2 (DC To 1GHz)</p> <p>≥ 5000MΩ</p> <p>1000 V rms</p> <p>500 V rms</p>	
<div style="border: 1px solid black; padding: 2px;">Mechanical Data</div> <p>Recommended Coupling Nut Torque</p> <p>Coupling Nut Retention Force</p> <p>Contact Captivation-axial</p> <p>Durability (mating)</p>	BNC	FME
	0.6 to 2.5 in-lbs	≤ 17 in-lbs
	≥ 101.2 lbs	NA
	≥ 6.1 lbs	NA
	≥ 500	≥ 300
<div style="border: 1px solid black; padding: 2px;">Environmental Data</div> <p>Temperature Range</p> <p>Thermal Shock</p> <p>Moisture Resistance</p> <p>Corrosion</p> <p>RoHS</p>	<p>-55°C to +125°C</p> <p>MIL-STD-202, Method 107, Condition B</p> <p>MIL-STD-202, Method 206</p> <p>MIL-STD-202, Method 101, Condition B</p> <p>Compliant</p>	

Notice: JYEBAO reserves the right to make modifications deemed appropriate.