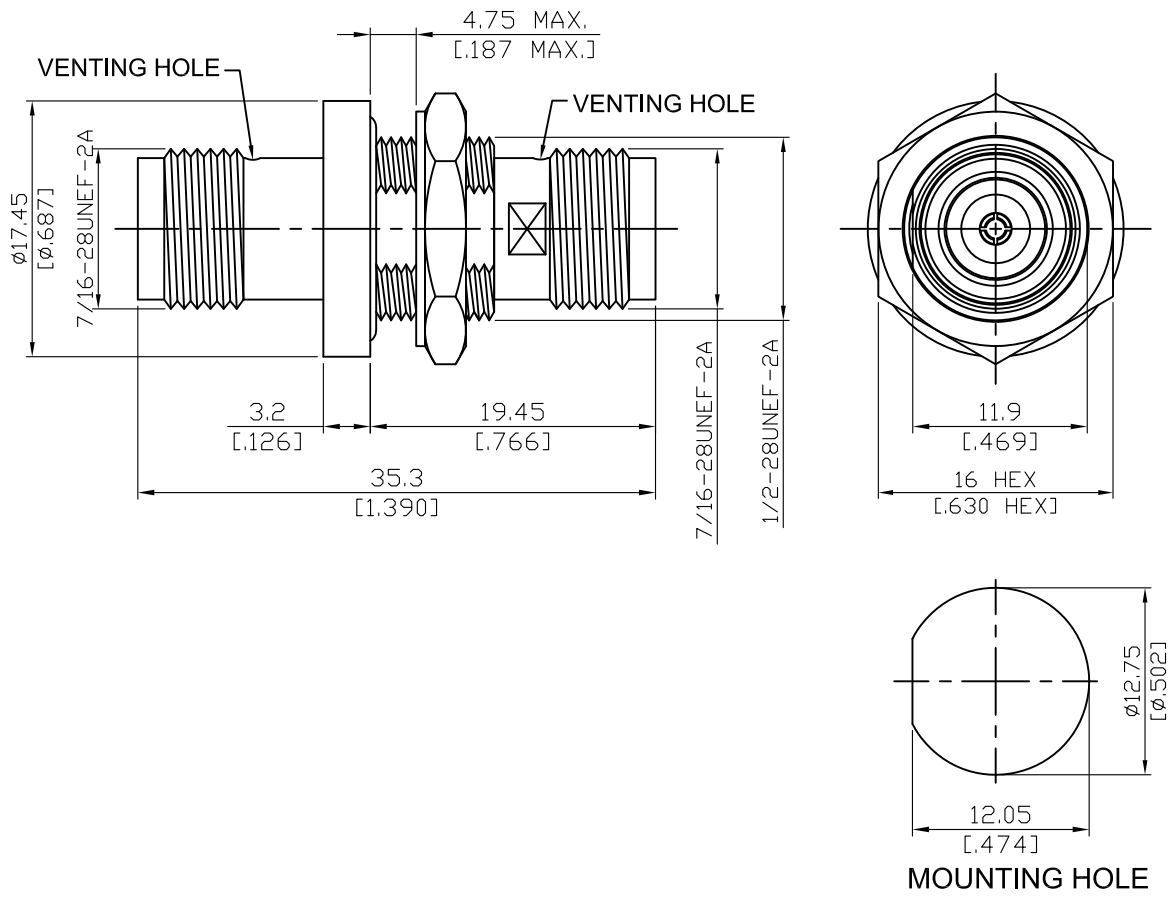


ADSG-T8T8-BF-18/GBVH	Hermetic 1×10^{-8} cc/sec helium at 1atm & thermo vacuum 1×10^{-6} Torr TNC jack to TNC jack Bulkhead; 18GHz VSWR 1.35	50Ω
-----------------------------	--	------------



Parts	Material	Plating (Micro-inch)
Body	Stainless Steel	Gold 5 over Nickel 50 over Copper 50
Insulator	Teflon	
Contact Pin	Beryllium Copper	Gold 4 Over Nickel-Phosphorus Alloy 80 Over Copper 20
Glass Bead	KOVAR+GLASS	Gold 4 Over Nickel-Phosphorus Alloy 80 Over Copper 20
Gasket	VITON	
Lock Washer	Stainless Steel	Gold 5 over Nickel 50 over Copper 50
Hex Nut	Stainless Steel	Gold 5 over Nickel 50 over Copper 50

This part number complies with RoHS.

Notice: JYEBAO reserves the right to make modifications deemed appropriate.

ADSG-T8T8-BF-18/GBVH

Hermetic 1×10^{-8} cc/sec helium at 1atm & thermo vacuum 1×10^{-6} Torr
TNC jack to TNC jack Bulkhead; 18GHz VSWR 1.35**Interface**

Standard

MIL-STD-348B

Electrical Data

Impedance	50 Ω
Frequency Range	DC to 18GHz
VSWR	≤ 1.35 (DC To 18GHz)
Insertion Loss	$\leq 0.05 \times \sqrt{f(\text{GHz})}$ dB
Insulation Resistance	$\geq 5000\text{M}\Omega$
Dielectric Withstanding Voltage (at sea level)	1000 V rms
Working Voltage (at sea level)	500 V rms

Mechanical Data

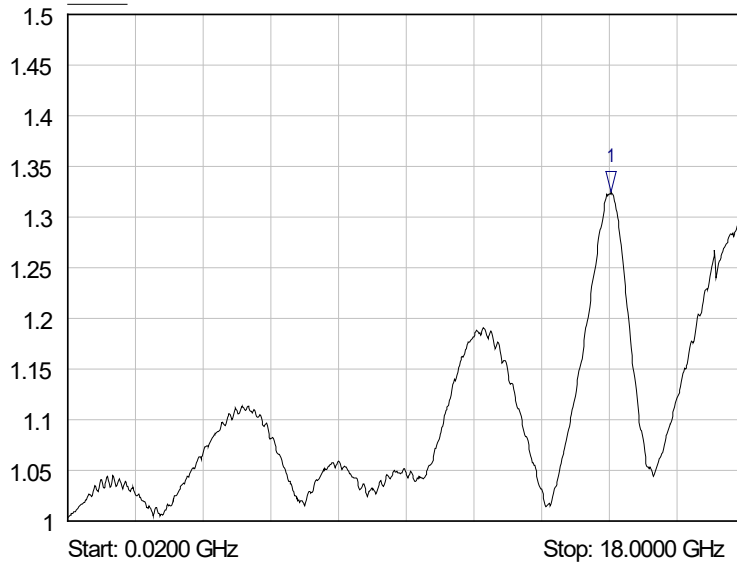
Recommended Coupling Nut Torque	4.1 to 6.1 in-lbs
Coupling Proof Torque	15 in-lbs
Contact Captivation-axial	≥ 6.1 lbs
Durability (mating)	≥ 500

Environmental Data

Temperature Range	-10°C to +165°C
Thermal Shock	MIL-STD-202, Method 107, Condition B
Moisture Resistance	MIL-STD-202, Method 206
Corrosion	MIL-STD-202, Method 101, Condition B
RoHS	Compliant

ADSG-T8T8-BF-18/GBVH

SoftPlot Measurement Presentation
VSWR S11



1 S11
▽ 14.4600 GHz
1.33 VSWR