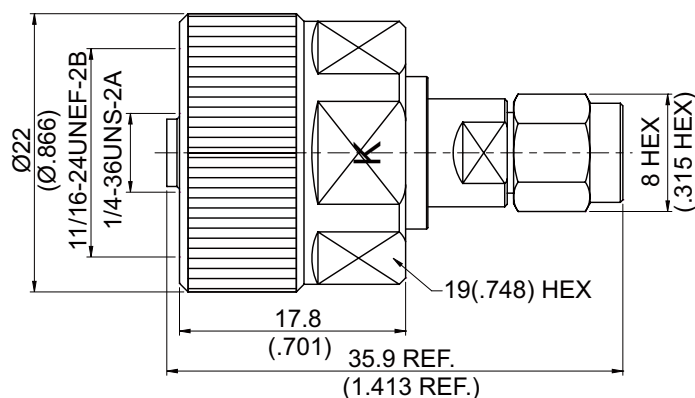


ADS-VNAK8A3	2.92mm NMD jack to SMA plug 27GHz VSWR 1.2	50Ω
--------------------	---	------------



Note:Ruggedized K jack to be mounted directly on vector network analyzer.

Parts	Material	Plating (Micro-inch)
Retainer Ring	Beryllium Copper	Tin-Zinc-Copper-Alloy 100 Over Copper 50
Gasket	Silicone	
Contact Pin	Beryllium Copper	Gold 4 Over Nickel-Phosphorus Alloy 80 Over Copper 20
Insulator	PEI	
Body	Stainless Steel	Passivated
Coupling Nut	Stainless Steel	Passivated

Weight:

This part number complies with RoHS.

Notice: JYEBAO reserves the right to make modifications deemed appropriate.

ADS-VNAK8A3	2.92mm NMD jack to SMA plug 27GHz VSWR 1.2	
Interface Standard Mechanically compatible with	2.92 MIL-STD-348B 3.5 & SMA	SMA MIL-STD-348B 2.92 & 3.5
Electrical Data Impedance Frequency Range VSWR Insertion Loss Insulation Resistance Dielectric Withstanding Voltage (at sea level) Working Voltage (at sea level)	50Ω DC To 27GHz ≤ 1.2 (DC To 27GHz) ≤ 0.07 x √f(GHz) dB ≥ 5000MΩ 750 V rms 250 V rms	
Mechanical Data Recommended Coupling Nut Torque Coupling Proof Torque Contact Captivation-axial Durability (mating)	2.92 11.47 in-lbs 15 in-lbs ≥ 4.9 lbs ≥ 500	SMA 7 to 9.5 in-lbs 15 in-lbs ≥ 6.1 lbs ≥ 500
Environmental Data Temperature Range Thermal Shock Moisture Resistance Corrosion RoHS	-40°C to +165°C MIL-STD-202, Method 107, Condition B MIL-STD-202, Method 206 MIL-STD-202, Method 101, Condition B Compliant	

ADS-VNAK8A3

