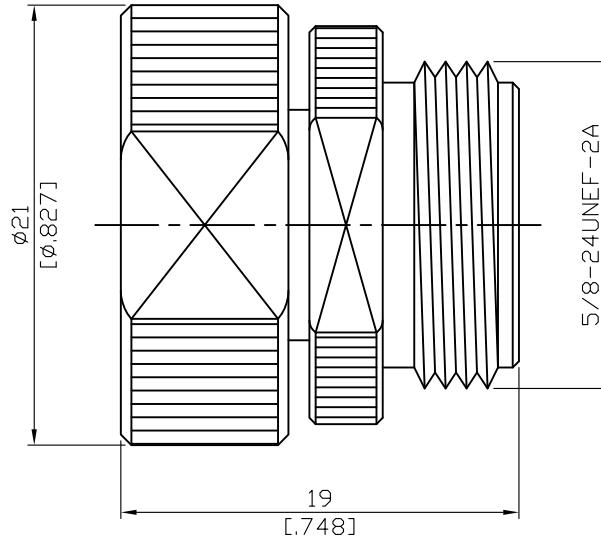


ADS-V2.4/3-VPC8

2.4mm NMD plug to 3.5mm NMD jack
34.5GHz VSWR 1.25

50Ω



NOTE:

Ruggedized 2.4 plug & ruggedized 3.5 jack to be mounted directly on the vector network analyzer.

Parts	Material	Plating (Micro-inch)
Body	Stainless Steel	Passivated
Insulator	PPO	
Contact Pin	Beryllium Copper	Gold 4 Over Nickel-Phosphorus Alloy 80 Over Copper 20
Retainer Ring	P.BRONZE	Tin-Zinc-Copper-Alloy 100 Over Copper 50

--	--

This part number complies with RoHS.

Notice: JYEBAO reserves the right to make modifications deemed appropriate.

ADS-V2.4/3-VPC8	2.4mm NMD plug to 3.5mm NMD jack 34.5GHz VSWR 1.25											
Interface Standard Mechanically compatible with	<table border="1"> <thead> <tr> <th>2.4</th> <th>3.5</th> </tr> </thead> <tbody> <tr> <td>MIL-STD-348B</td> <td>IEC60169-23</td> </tr> <tr> <td>1.85</td> <td>SMA & 2.92</td> </tr> </tbody> </table>	2.4	3.5	MIL-STD-348B	IEC60169-23	1.85	SMA & 2.92					
2.4	3.5											
MIL-STD-348B	IEC60169-23											
1.85	SMA & 2.92											
Electrical Data Impedance Frequency Range VSWR Insertion Loss Insulation Resistance Dielectric Withstanding Voltage (at sea level) Working Voltage (at sea level) RF leakage	<table border="1"> <tbody> <tr> <td>50Ω</td> </tr> <tr> <td>DC To 34.5GHz</td> </tr> <tr> <td>≤ 1.25 (DC To 34.5GHz)</td> </tr> <tr> <td>≤ 0.06 x √f(GHz) dB</td> </tr> <tr> <td>≥ 5000MΩ</td> </tr> <tr> <td>500 V rms</td> </tr> <tr> <td>150 V rms</td> </tr> <tr> <td>≥ 100dB to 1GHz</td> </tr> </tbody> </table>		50Ω	DC To 34.5GHz	≤ 1.25 (DC To 34.5GHz)	≤ 0.06 x √f(GHz) dB	≥ 5000MΩ	500 V rms	150 V rms	≥ 100dB to 1GHz		
50Ω												
DC To 34.5GHz												
≤ 1.25 (DC To 34.5GHz)												
≤ 0.06 x √f(GHz) dB												
≥ 5000MΩ												
500 V rms												
150 V rms												
≥ 100dB to 1GHz												
Mechanical Data Recommended Coupling Nut Torque Coupling Proof Torque Contact Captivation-axial Durability (mating)	<table border="1"> <thead> <tr> <th>2.4</th> <th>3.5</th> </tr> </thead> <tbody> <tr> <td>7.08 to 9.74 in-lbs</td> <td>7.1 to 9.7 in-lbs</td> </tr> <tr> <td>15 in-lbs</td> <td>15 in-lbs</td> </tr> <tr> <td>≥ 4.5 lbs</td> <td>≥ 6.1 lbs</td> </tr> <tr> <td>≥ 500</td> <td>≥ 500</td> </tr> </tbody> </table>		2.4	3.5	7.08 to 9.74 in-lbs	7.1 to 9.7 in-lbs	15 in-lbs	15 in-lbs	≥ 4.5 lbs	≥ 6.1 lbs	≥ 500	≥ 500
2.4	3.5											
7.08 to 9.74 in-lbs	7.1 to 9.7 in-lbs											
15 in-lbs	15 in-lbs											
≥ 4.5 lbs	≥ 6.1 lbs											
≥ 500	≥ 500											
Environmental Data Temperature Range Thermal Shock Moisture Resistance Corrosion RoHS	<table border="1"> <tbody> <tr> <td>-55°C to +105°C</td> </tr> <tr> <td>MIL-STD-202, Method 107, Condition B</td> </tr> <tr> <td>MIL-STD-202, Method 206</td> </tr> <tr> <td>MIL-STD-202, Method 101, Condition B</td> </tr> <tr> <td>Compliant</td> </tr> </tbody> </table>		-55°C to +105°C	MIL-STD-202, Method 107, Condition B	MIL-STD-202, Method 206	MIL-STD-202, Method 101, Condition B	Compliant					
-55°C to +105°C												
MIL-STD-202, Method 107, Condition B												
MIL-STD-202, Method 206												
MIL-STD-202, Method 101, Condition B												
Compliant												

ADS-V2.4/3-VPC8

