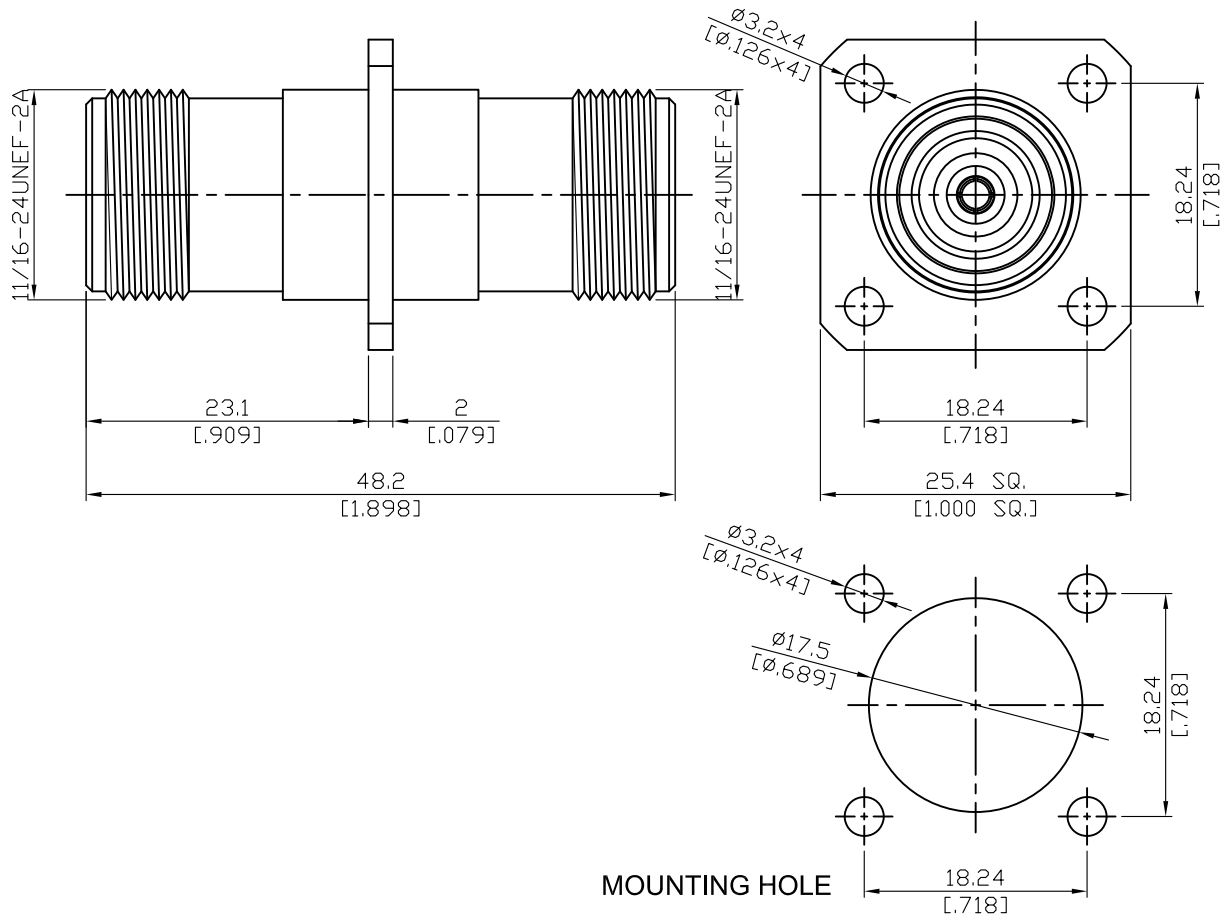


ADS-SC8SC8-P4	SC jack to SC jack 4 hole flange; 11GHz VSWR 1.25	50Ω
---------------	--	-----



Parts	Material	Plating ( Micro-inch )
Body	Stainless Steel	Passivated
Insulator	PTFE	
Contact Pin	Beryllium Copper	Gold 4 Over Nickel-Phosphorus Alloy 80 Over Copper 20

--	--

This part number complies with RoHS.

Notice: JYEBAO reserves the right to make modifications deemed appropriate.

ADS-SC8SC8-P4	SC jack to SC jack 4 hole flange; 11GHz VSWR 1.25																
<table border="0"> <tr> <td data-bbox="113 342 531 394"> <div style="border: 1px solid black; padding: 2px;">Interface</div> </td> <td data-bbox="531 342 1482 394"></td> </tr> <tr> <td data-bbox="113 394 531 539">Standard</td> <td data-bbox="531 394 1482 539">MIL-STD-348B</td> </tr> </table>		<div style="border: 1px solid black; padding: 2px;">Interface</div>		Standard	MIL-STD-348B												
<div style="border: 1px solid black; padding: 2px;">Interface</div>																	
Standard	MIL-STD-348B																
<table border="0"> <tr> <td data-bbox="113 555 531 607"> <div style="border: 1px solid black; padding: 2px;">Electrical Data</div> </td> <td data-bbox="531 555 1482 607"></td> </tr> <tr> <td data-bbox="113 607 531 658">Impedance</td> <td data-bbox="531 607 1482 658">50Ω</td> </tr> <tr> <td data-bbox="113 658 531 710">Frequency Range</td> <td data-bbox="531 658 1482 710">DC to 11GHz</td> </tr> <tr> <td data-bbox="113 710 531 761">VSWR</td> <td data-bbox="531 710 1482 761">≤ 1.25 (DC To 11GHz)</td> </tr> <tr> <td data-bbox="113 761 531 813">Insertion Loss</td> <td data-bbox="531 761 1482 813">≤ 0.05 x √f(GHz) dB</td> </tr> <tr> <td data-bbox="113 813 531 864">Insulation Resistance</td> <td data-bbox="531 813 1482 864">≥ 5000MΩ</td> </tr> <tr> <td data-bbox="113 864 531 916">Dielectric Withstanding Voltage (at sea level)</td> <td data-bbox="531 864 1482 916">3000 V rms</td> </tr> <tr> <td data-bbox="113 916 531 967">Working Voltage (at sea level)</td> <td data-bbox="531 916 1482 967">1000 V rms</td> </tr> </table>		<div style="border: 1px solid black; padding: 2px;">Electrical Data</div>		Impedance	50Ω	Frequency Range	DC to 11GHz	VSWR	≤ 1.25 (DC To 11GHz)	Insertion Loss	≤ 0.05 x √f(GHz) dB	Insulation Resistance	≥ 5000MΩ	Dielectric Withstanding Voltage (at sea level)	3000 V rms	Working Voltage (at sea level)	1000 V rms
<div style="border: 1px solid black; padding: 2px;">Electrical Data</div>																	
Impedance	50Ω																
Frequency Range	DC to 11GHz																
VSWR	≤ 1.25 (DC To 11GHz)																
Insertion Loss	≤ 0.05 x √f(GHz) dB																
Insulation Resistance	≥ 5000MΩ																
Dielectric Withstanding Voltage (at sea level)	3000 V rms																
Working Voltage (at sea level)	1000 V rms																
<table border="0"> <tr> <td data-bbox="113 1052 531 1104"> <div style="border: 1px solid black; padding: 2px;">Mechanical Data</div> </td> <td data-bbox="531 1052 1482 1104"></td> </tr> <tr> <td data-bbox="113 1104 531 1155">Recommended Coupling Nut Torque</td> <td data-bbox="531 1104 1482 1155">12 to 15 in-lbs</td> </tr> <tr> <td data-bbox="113 1155 531 1207">Coupling Proof Torque</td> <td data-bbox="531 1155 1482 1207">15 in-lbs</td> </tr> <tr> <td data-bbox="113 1207 531 1258">Durability (mating)</td> <td data-bbox="531 1207 1482 1258">≥ 500</td> </tr> </table>		<div style="border: 1px solid black; padding: 2px;">Mechanical Data</div>		Recommended Coupling Nut Torque	12 to 15 in-lbs	Coupling Proof Torque	15 in-lbs	Durability (mating)	≥ 500								
<div style="border: 1px solid black; padding: 2px;">Mechanical Data</div>																	
Recommended Coupling Nut Torque	12 to 15 in-lbs																
Coupling Proof Torque	15 in-lbs																
Durability (mating)	≥ 500																
<table border="0"> <tr> <td data-bbox="113 1406 531 1458"> <div style="border: 1px solid black; padding: 2px;">Environmental Data</div> </td> <td data-bbox="531 1406 1482 1458"></td> </tr> <tr> <td data-bbox="113 1458 531 1509">Temperature Range</td> <td data-bbox="531 1458 1482 1509">-65°C to +165°C</td> </tr> <tr> <td data-bbox="113 1509 531 1561">Thermal Shock</td> <td data-bbox="531 1509 1482 1561">MIL-STD-202, Method 107, Condition B</td> </tr> <tr> <td data-bbox="113 1561 531 1612">Moisture Resistance</td> <td data-bbox="531 1561 1482 1612">MIL-STD-202, Method 206</td> </tr> <tr> <td data-bbox="113 1612 531 1664">Corrosion</td> <td data-bbox="531 1612 1482 1664">MIL-STD-202, Method 101, Condition B</td> </tr> <tr> <td data-bbox="113 1664 531 1715">RoHS</td> <td data-bbox="531 1664 1482 1715">Compliant</td> </tr> </table>		<div style="border: 1px solid black; padding: 2px;">Environmental Data</div>		Temperature Range	-65°C to +165°C	Thermal Shock	MIL-STD-202, Method 107, Condition B	Moisture Resistance	MIL-STD-202, Method 206	Corrosion	MIL-STD-202, Method 101, Condition B	RoHS	Compliant				
<div style="border: 1px solid black; padding: 2px;">Environmental Data</div>																	
Temperature Range	-65°C to +165°C																
Thermal Shock	MIL-STD-202, Method 107, Condition B																
Moisture Resistance	MIL-STD-202, Method 206																
Corrosion	MIL-STD-202, Method 101, Condition B																
RoHS	Compliant																

Notice: JYEBAO reserves the right to make modifications deemed appropriate.