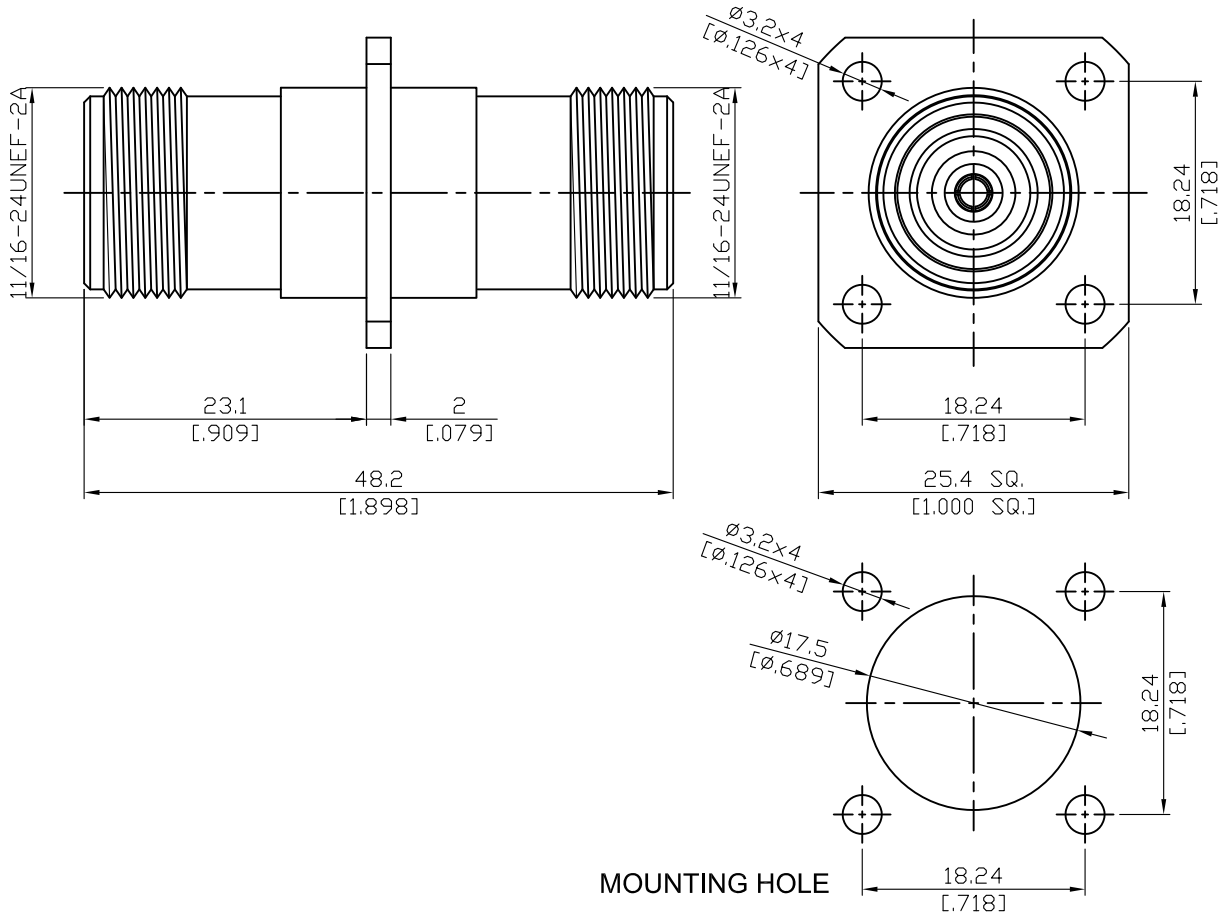


ADS-SC8SC8-P4/FLH

High power (4000M 1000W CW)
SC jack to SC jack 4 hole flange; 6GHz VSWR 1.2 50Ω



Parts	Material	Plating (Micro-inch)
Body	Stainless Steel	Passivated
Insulator	Fluoroloy H.	
Contact Pin	Beryllium Copper	Gold 4 Over Nickel-Phosphorus Alloy 80 Over Copper 20

This part number complies with RoHS.

Notice: JYEBAO reserves the right to make modifications deemed appropriate.

ADS-SC8SC8-P4/FLH	High power (4000M 1000W CW) SC jack to SC jack 4 hole flange; 6GHz VSWR 1.2
Interface	
Standard	MIL-STD-348B
Electrical Data	
Impedance	50Ω
Frequency Range	DC to 6GHz
VSWR	≤ 1.2 (DC To 6GHz)
Insertion Loss	≤ 0.07 x √f(GHz) dB
Insulation Resistance	≥ 5000MΩ
Dielectric Withstanding Voltage (at sea level)	3000 V rms
Working Voltage (at sea level)	1000 V rms
Mechanical Data	
Recommended Coupling Nut Torque	12 to 15 in-lbs
Coupling Proof Torque	15 in-lbs
Durability (mating)	≥ 500
Environmental Data	
Temperature Range	-65°C to +165°C
Thermal Shock	MIL-STD-202, Method 107, Condition B
Moisture Resistance	MIL-STD-202, Method 206
Corrosion	MIL-STD-202, Method 101, Condition B
RoHS	Compliant

Notice: JYEBAO reserves the right to make modifications deemed appropriate.

ADS-SC8SC8-P4-FLH

