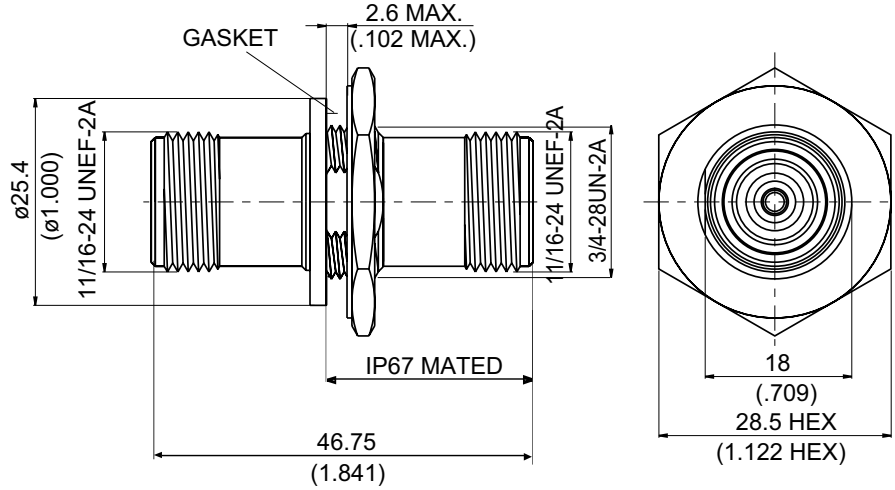


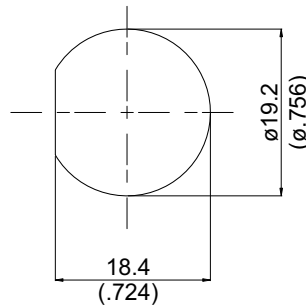
ADS-SC8SC8-BF

SC Jack To SC Jack Bulkhead; IP67 Mated
11GHz VSWR 1.25

50Ω



MOUNTING HOLE:



Parts	Material	Plating (Micro-inch)
Hex Nut	Stainless	Tin-Zinc-Copper-Alloy 100 Over Copper 50
Washer	Stainless	Tin-Zinc-Copper-Alloy 100 Over Copper 50
Gasket	Silicone	
Contact Pin	Beryllium Copper	Gold 4 Over Nickel-Phosphorus Alloy 80 Over Copper 20
Insulator	Teflon	
Body	Stainless	Passivated

Weight: 62.06 g

This part number complies with RoHS.

Notice: JYEBAO reserves the right to make modifications deemed appropriate.

ADS-SC8SC8-BF	SC Jack To SC Jack Bulkhead; IP67 Mated 11GHz VSWR 1.25
<div data-bbox="129 344 531 394" style="border: 1px solid black; padding: 2px;">Interface</div> <p data-bbox="129 405 264 439">Standard</p>	<p data-bbox="794 405 1011 439">MIL-STD-348B</p>
<div data-bbox="129 562 531 611" style="border: 1px solid black; padding: 2px;">Electrical Data</div> <p data-bbox="129 618 293 651">Impedance</p> <p data-bbox="129 663 389 696">Frequency Range</p> <p data-bbox="129 707 229 741">VSWR</p> <p data-bbox="129 752 331 786">Insertion Loss</p> <p data-bbox="129 797 437 831">Insulation Resistance</p> <p data-bbox="129 842 772 875">Dielectric Withstanding Voltage (at sea level)</p> <p data-bbox="129 887 564 920">Working Voltage (at sea level)</p>	<p data-bbox="794 618 858 651">50Ω</p> <p data-bbox="794 663 991 696">DC to 11GHz</p> <p data-bbox="794 707 1123 741">≤ 1.25 (DC To 11GHz)</p> <p data-bbox="794 752 1086 786">≤ 0.05 x √f(GHz) dB</p> <p data-bbox="794 797 954 831">≥ 5000MΩ</p> <p data-bbox="794 842 963 875">3000 V rms</p> <p data-bbox="794 887 963 920">1000 V rms</p>
<div data-bbox="129 1059 531 1108" style="border: 1px solid black; padding: 2px;">Mechanical Data</div> <p data-bbox="129 1115 655 1149">Recommended Coupling Nut Torque</p> <p data-bbox="129 1160 459 1193">Coupling Proof Torque</p> <p data-bbox="129 1205 395 1238">Durability (mating)</p>	<p data-bbox="794 1115 999 1149">12 to 15 in-lbs</p> <p data-bbox="794 1160 919 1193">15 in-lbs</p> <p data-bbox="794 1205 884 1238">≥ 500</p>
<div data-bbox="129 1413 531 1462" style="border: 1px solid black; padding: 2px;">Environmental Data</div> <p data-bbox="129 1469 421 1503">Temperature Range</p> <p data-bbox="129 1514 352 1547">Thermal Shock</p> <p data-bbox="129 1559 424 1592">Moisture Resistance</p> <p data-bbox="129 1603 272 1637">Corrosion</p> <p data-bbox="129 1648 220 1682">RoHS</p>	<p data-bbox="794 1469 1034 1503">-65°C to +165°C</p> <p data-bbox="794 1514 1362 1547">MIL-STD-202, Method 107, Condition B</p> <p data-bbox="794 1559 1177 1592">MIL-STD-202, Method 206</p> <p data-bbox="794 1603 1362 1637">MIL-STD-202, Method 101, Condition B</p> <p data-bbox="794 1648 943 1682">Compliant</p>

Notice: JYEBAO reserves the right to make modifications deemed appropriate.