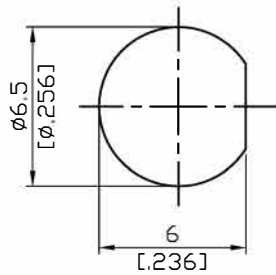
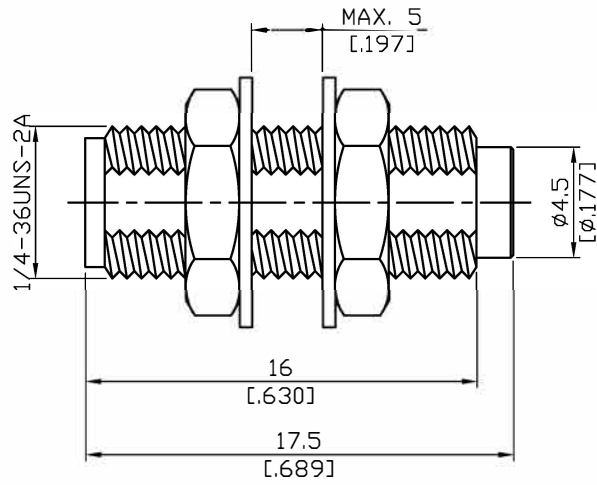
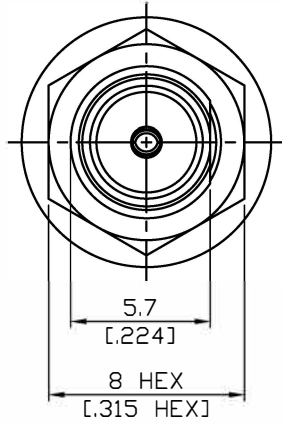


ADS-PL3A8-BF

SMP Plug Limited Detent To SMA Jack
Bulkhead; 18GHz VSWR 1.2

50Ω



MOUNTING HOLE

Parts	Material	Plating (Micro-inch)
Hex Nut	Stainless Steel	Passivated
Lock Washer	Stainless Steel	Passivated
Contact Pin	Beryllium Copper	Gold 4 Over Nickel-Phosphorus Alloy 80 Over Copper 20
Insulator	Teflon	
Body	Stainless Steel	Passivated

This part number complies with RoHS.

Notice: JYEBAO reserves the right to make modifications deemed appropriate.

ADS-PL3A8-BF	SMP Plug Limited Detent To SMA Jack Bulkhead; 18GHz VSWR 1.2				
<div style="border: 1px solid black; padding: 2px; margin-bottom: 5px;">Interface</div> Standard Mechanically compatible with		SMA	SMP		
		MIL-STD-348B	MIL-STD-348B		
		2.92 & 3.5			
<div style="border: 1px solid black; padding: 2px; margin-bottom: 5px;">Electrical Data</div> Impedance Frequency Range VSWR Insertion Loss Insulation Resistance Dielectric Withstanding Voltage (at sea level) Working Voltage (at sea level)	50Ω DC To 18GHz ≤ 1.2 (DC To 18GHz) ≤ 0.06 x √f(GHz) dB ≥ 5000MΩ 500 V rms 335 V rms				
<div style="border: 1px solid black; padding: 2px; margin-bottom: 5px;">Mechanical Data</div> Recommended Coupling Nut Torque Coupling Proof Torque Contact Captivation-axial Durability (mating) Engagement Force Disengagement Force Axial Misalignment Radial Misalignment		SMA	SMP		
			Full detent	Limited detent	Smooth bore Catchers Mit
		7 to 9.5 in-lbs	NA	NA	NA
		15 in-lbs	NA	NA	NA
		≥ 6.1 lbs	NA	NA	NA
		≥ 500	≥ 100	≥ 500	≥ 1000
		NA	≤ 15 lbs	≤ 10 lbs	≤ 2 lbs
		NA	≥ 5 lbs	≥ 2 lbs	≥ 0.5 lbs
		NA	+0.00/-0.25(+.000/-0.010)		
		NA	+/-0.25(0.010)		
<div style="border: 1px solid black; padding: 2px; margin-bottom: 5px;">Environmental Data</div> Temperature Range Thermal Shock Moisture Resistance Corrosion RoHS	-65°C to +165°C MIL-STD-202, Method 107, Condition B MIL-STD-202, Method 206 MIL-STD-202, Method 101, Condition B Compliant				

Notice: JYEBAO reserves the right to make modifications deemed appropriate.