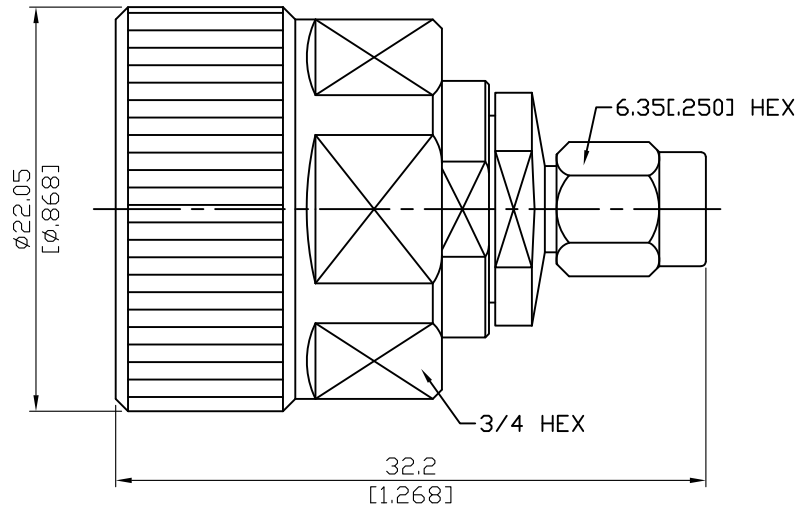


ADS-PC7SA3	7mm to SSMA Plug 18GHz VSWR 1.15	50Ω
------------	-------------------------------------	-----



Parts	Material	Plating (Micro-inch)
Coupling Nut	Stainless Steel	Passivated
Coupling Sleeve	Stainless Steel	Passivated
Body	Stainless Steel	Passivated
Insulator (7mm)	PPO	
Contact Pin (7mm)	Phosphor Bronze	Gold 4 Over Nickel-Phosphorus Alloy 80 Over Copper 20
Insulator (SMA)	PTFE	
Contact Pin (SMA)	Beryllium Copper	Gold 4 Over Nickel-Phosphorus Alloy 80 Over Copper 20
Gasket	Silicone	
Retainer Ring	Brass	Tin-Zinc-Copper-Alloy 100 Over Copper 50

--	--

This part number complies with RoHS.

Notice: JYEBAO reserves the right to make modifications deemed appropriate.

ADS-PC7SA3	7mm to SSMA Plug 18GHz VSWR 1.15																									
Interface	7mm	SSMA																								
Standard	IEC 457-2	MIL-STD-348B																								
<table border="0" style="width: 100%;"> <tr> <td style="border: 1px solid black;">Electrical Data</td> <td></td> <td></td> </tr> <tr> <td>Impedance</td> <td colspan="2" style="text-align: center;">50Ω</td> </tr> <tr> <td>Frequency Range</td> <td colspan="2" style="text-align: center;">DC To 18GHz</td> </tr> <tr> <td>VSWR</td> <td colspan="2" style="text-align: center;">≤ 1.15 (DC To 18GHz)</td> </tr> <tr> <td>Insertion Loss</td> <td colspan="2" style="text-align: center;">≤ 0.06 x √f(GHz) dB</td> </tr> <tr> <td>Insulation Resistance</td> <td colspan="2" style="text-align: center;">≥ 5000MΩ</td> </tr> <tr> <td>Dielectric Withstanding Voltage (at sea level)</td> <td colspan="2" style="text-align: center;">750 V rms</td> </tr> <tr> <td>Working Voltage (at sea level)</td> <td colspan="2" style="text-align: center;">250 V rms</td> </tr> </table>			Electrical Data			Impedance	50Ω		Frequency Range	DC To 18GHz		VSWR	≤ 1.15 (DC To 18GHz)		Insertion Loss	≤ 0.06 x √f(GHz) dB		Insulation Resistance	≥ 5000MΩ		Dielectric Withstanding Voltage (at sea level)	750 V rms		Working Voltage (at sea level)	250 V rms	
Electrical Data																										
Impedance	50Ω																									
Frequency Range	DC To 18GHz																									
VSWR	≤ 1.15 (DC To 18GHz)																									
Insertion Loss	≤ 0.06 x √f(GHz) dB																									
Insulation Resistance	≥ 5000MΩ																									
Dielectric Withstanding Voltage (at sea level)	750 V rms																									
Working Voltage (at sea level)	250 V rms																									
<table border="0" style="width: 100%;"> <tr> <td style="border: 1px solid black;">Mechanical Data</td> <td style="text-align: center;">7mm</td> <td style="text-align: center;">SSMA</td> </tr> <tr> <td>Recommended Coupling Nut Torque</td> <td style="text-align: center;">12 in-lbs</td> <td style="text-align: center;">4 in-lbs</td> </tr> <tr> <td>Coupling Proof Torque</td> <td style="text-align: center;">17.2 in-lbs</td> <td style="text-align: center;">5 in-lbs</td> </tr> <tr> <td>Coupling Nut Retention Force</td> <td style="text-align: center;">NA</td> <td style="text-align: center;">≥ 60 lbs</td> </tr> <tr> <td>Contact Captivation-axial</td> <td style="text-align: center;">≥ 6.3 lbs</td> <td style="text-align: center;">≥ 5 lbs</td> </tr> <tr> <td>Durability (mating)</td> <td style="text-align: center;">≥ 5000</td> <td style="text-align: center;">≥ 500</td> </tr> </table>			Mechanical Data	7mm	SSMA	Recommended Coupling Nut Torque	12 in-lbs	4 in-lbs	Coupling Proof Torque	17.2 in-lbs	5 in-lbs	Coupling Nut Retention Force	NA	≥ 60 lbs	Contact Captivation-axial	≥ 6.3 lbs	≥ 5 lbs	Durability (mating)	≥ 5000	≥ 500						
Mechanical Data	7mm	SSMA																								
Recommended Coupling Nut Torque	12 in-lbs	4 in-lbs																								
Coupling Proof Torque	17.2 in-lbs	5 in-lbs																								
Coupling Nut Retention Force	NA	≥ 60 lbs																								
Contact Captivation-axial	≥ 6.3 lbs	≥ 5 lbs																								
Durability (mating)	≥ 5000	≥ 500																								
<table border="0" style="width: 100%;"> <tr> <td style="border: 1px solid black;">Environmental Data</td> <td></td> <td></td> </tr> <tr> <td>Temperature Range</td> <td colspan="2" style="text-align: center;">-55°C to +105°C</td> </tr> <tr> <td>Thermal Shock</td> <td colspan="2" style="text-align: center;">MIL-STD-202, Method 107, Condition B</td> </tr> <tr> <td>Moisture Resistance</td> <td colspan="2" style="text-align: center;">MIL-STD-202, Method 206</td> </tr> <tr> <td>Corrosion</td> <td colspan="2" style="text-align: center;">MIL-STD-202, Method 101, Condition B</td> </tr> <tr> <td>RoHS</td> <td colspan="2" style="text-align: center;">Compliant</td> </tr> </table>			Environmental Data			Temperature Range	-55°C to +105°C		Thermal Shock	MIL-STD-202, Method 107, Condition B		Moisture Resistance	MIL-STD-202, Method 206		Corrosion	MIL-STD-202, Method 101, Condition B		RoHS	Compliant							
Environmental Data																										
Temperature Range	-55°C to +105°C																									
Thermal Shock	MIL-STD-202, Method 107, Condition B																									
Moisture Resistance	MIL-STD-202, Method 206																									
Corrosion	MIL-STD-202, Method 101, Condition B																									
RoHS	Compliant																									

Notice: JYEBAO reserves the right to make modifications deemed appropriate.

ADS-PC7SA3

