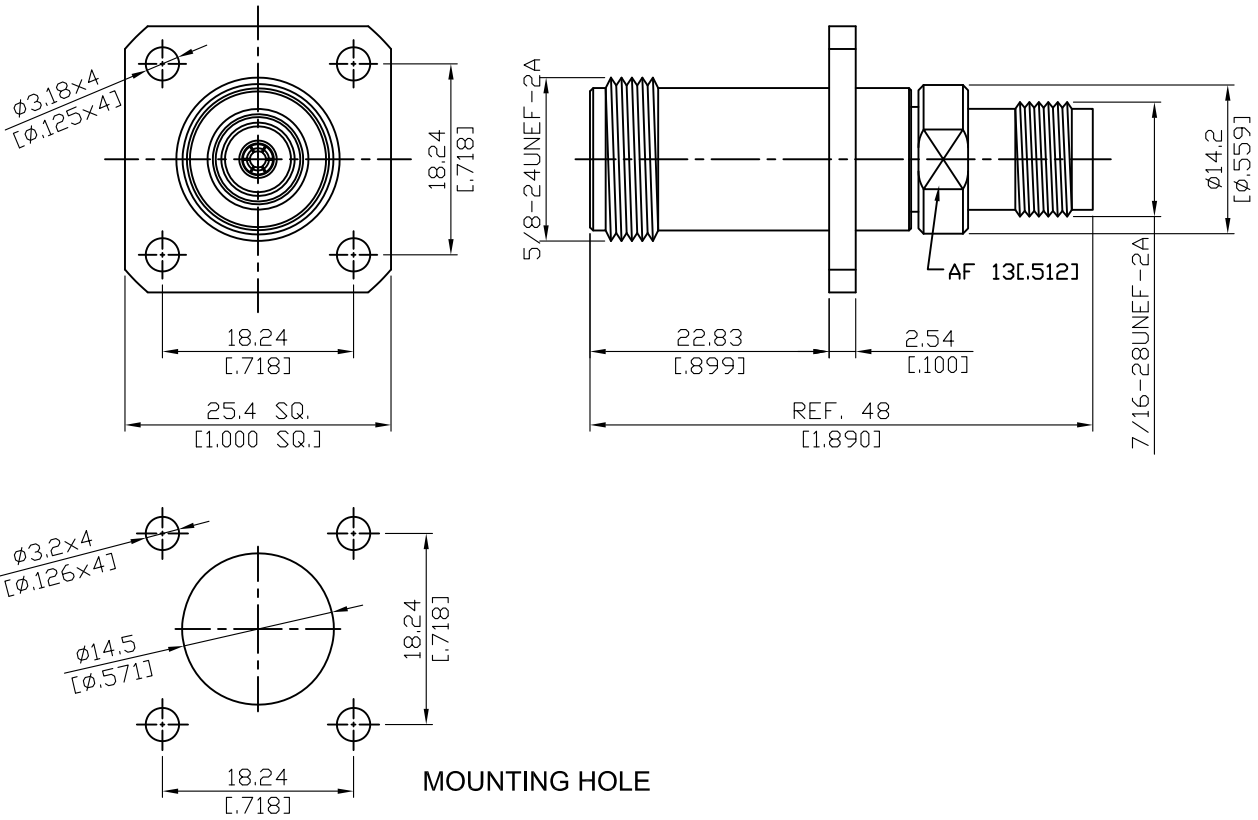


ADS-N8T8-P4-18-1.2

N Jack To TNC Jack With 4 Hole Flange  
18GHz VSWR 1.2

50Ω



Parts	Material	Plating ( Micro-inch )
Contact Pin	Beryllium Copper	Gold 4 Over Nickel-Phosphorus Alloy 80 Over Copper 20
Insulator	Teflon	
Body	Stainless Steel	Passivated

This part number complies with RoHS.

Notice: JYEBAO reserves the right to make modifications deemed appropriate.

ADS-N8T8-P4-18-1.2	N Jack To TNC Jack With 4 Hole Flange 18GHz VSWR 1.2											
<div style="border: 1px solid black; padding: 2px;">Interface</div> <p>Standard</p>	<table border="1" style="width: 100%; border-collapse: collapse;"> <thead> <tr> <th style="width: 50%;">N</th> <th style="width: 50%;">TNC</th> </tr> </thead> <tbody> <tr> <td style="text-align: center;">MIL-STD-348B</td> <td style="text-align: center;">MIL-STD-348B</td> </tr> </tbody> </table>	N	TNC	MIL-STD-348B	MIL-STD-348B							
N	TNC											
MIL-STD-348B	MIL-STD-348B											
<div style="border: 1px solid black; padding: 2px;">Electrical Data</div> <p>Impedance Frequency Range VSWR Insertion Loss Insulation Resistance Dielectric Withstanding Voltage (at sea level) Working Voltage (at sea level)</p>	<p style="text-align: center;">50Ω DC To 18GHz ≤ 1.2 (DC To 18GHz) ≤ 0.05 x √f(GHz) dB ≥ 5000MΩ 1500 V rms 500 V rms</p>											
<div style="border: 1px solid black; padding: 2px;">Mechanical Data</div> <p>Recommended Coupling Nut Torque Coupling Proof Torque Contact Captivation-axial Durability (mating)</p>	<table border="1" style="width: 100%; border-collapse: collapse;"> <thead> <tr> <th style="width: 50%;">N</th> <th style="width: 50%;">TNC</th> </tr> </thead> <tbody> <tr> <td style="text-align: center;">6 to 10 in-lbs</td> <td style="text-align: center;">4.1 to 6.1 in-lbs</td> </tr> <tr> <td style="text-align: center;">15 in-lbs</td> <td style="text-align: center;">15 in-lbs</td> </tr> <tr> <td style="text-align: center;">≥ 6.3 lbs</td> <td style="text-align: center;">≥ 6.1 lbs</td> </tr> <tr> <td style="text-align: center;">≥ 500</td> <td style="text-align: center;">≥ 500</td> </tr> </tbody> </table>	N	TNC	6 to 10 in-lbs	4.1 to 6.1 in-lbs	15 in-lbs	15 in-lbs	≥ 6.3 lbs	≥ 6.1 lbs	≥ 500	≥ 500	
N	TNC											
6 to 10 in-lbs	4.1 to 6.1 in-lbs											
15 in-lbs	15 in-lbs											
≥ 6.3 lbs	≥ 6.1 lbs											
≥ 500	≥ 500											
<div style="border: 1px solid black; padding: 2px;">Environmental Data</div> <p>Temperature Range Thermal Shock Moisture Resistance Corrosion RoHS</p>	<p style="text-align: center;">-65°C to +165°C MIL-STD-202, Method 107, Condition B MIL-STD-202, Method 206 MIL-STD-202, Method 101, Condition B Compliant</p>											

# ADS-N8T8-P4-18-1.2

