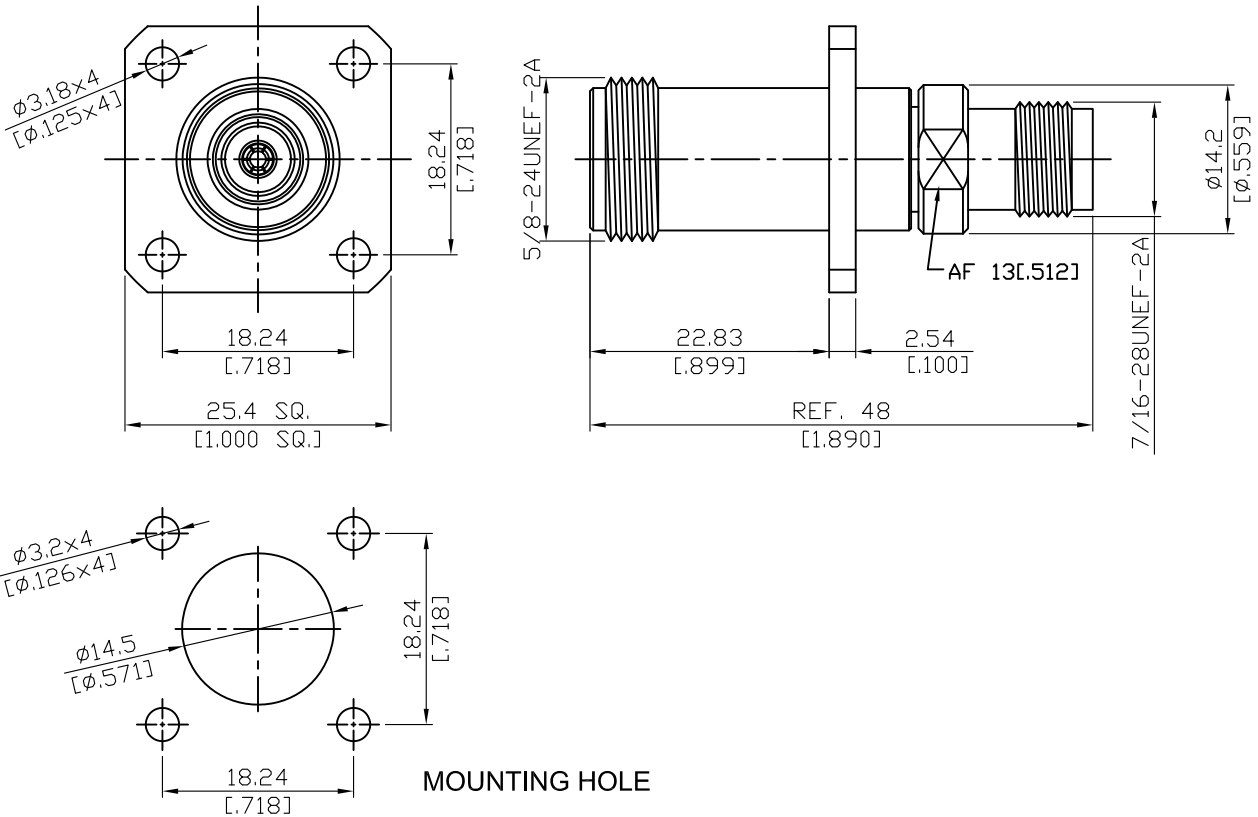


ADS-N8T8-P4-18-1.15

N Jack To TNC Jack With 4 Hole Flange  
18GHz VSWR 1.15

50Ω



Parts	Material	Plating ( Micro-inch )
Contact Pin	Beryllium Copper	Gold 4 Over Nickel-Phosphorus Alloy 80 Over Copper 20
Insulator	Teflon	
Body	Stainless Steel	Passivated

This part number complies with RoHS.

Notice: JYEBAO reserves the right to make modifications deemed appropriate.

ADS-N8T8-P4-18-1.15	N Jack To TNC Jack With 4 Hole Flange 18GHz VSWR 1.15	
<b>Interface</b> Standard	N MIL-STD-348B	TNC MIL-STD-348B
<b>Electrical Data</b> Impedance Frequency Range VSWR Insertion Loss Insulation Resistance Dielectric Withstanding Voltage (at sea level) Working Voltage (at sea level)	50Ω DC To 18GHz ≤ 1.15 (DC To 18GHz) ≤ 0.05 x √f(GHz) dB ≥ 5000MΩ 1500 V rms 500 V rms	
<b>Mechanical Data</b> Recommended Coupling Nut Torque Coupling Proof Torque Contact Captivation-axial Durability (mating)	N 6 to 10 in-lbs 15 in-lbs ≥ 6.3 lbs ≥ 500	TNC 4.1 to 6.1 in-lbs 15 in-lbs ≥ 6.1 lbs ≥ 500
<b>Environmental Data</b> Temperature Range Thermal Shock Moisture Resistance Corrosion RoHS	-65°C to +165°C MIL-STD-202, Method 107, Condition B MIL-STD-202, Method 206 MIL-STD-202, Method 101, Condition B Compliant	