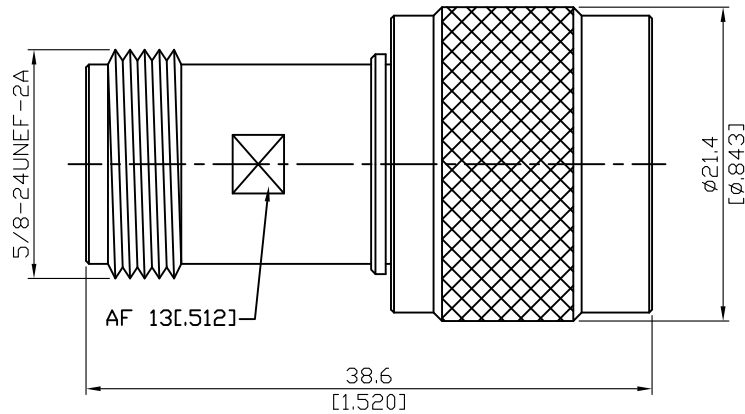


ADS-N8SC3	N Jack to SC Plug 11GHz VSWR 1.3	50Ω
-----------	-------------------------------------	-----



Parts	Material	Plating (Micro-inch)
Coupling Nut	Stainless Steel	Passivated
Body	Stainless Steel	Passivated
Insulator	PTFE	
Contact Pin	Beryllium Copper	Gold 4 Over Nickel-Phosphorus Alloy 80 Over Copper 20
Gasket	Silicone	

--	--

This part number complies with RoHS.

Notice: JYEBAO reserves the right to make modifications deemed appropriate.

ADS-N8SC3	N Jack to SC Plug 11GHz VSWR 1.3													
<div style="border: 1px solid black; padding: 2px;">Interface</div> <p>Standard</p>	<table border="1" style="width: 100%; border-collapse: collapse;"> <thead> <tr> <th style="width: 50%;">N</th> <th style="width: 50%;">SC</th> </tr> </thead> <tbody> <tr> <td style="text-align: center;">MIL-STD-348B</td> <td style="text-align: center;">MIL-STD-348B</td> </tr> </tbody> </table>	N	SC	MIL-STD-348B	MIL-STD-348B	<table border="1" style="width: 100%; border-collapse: collapse;"> <thead> <tr> <th style="width: 50%;">N</th> <th style="width: 50%;">SC</th> </tr> </thead> <tbody> <tr> <td style="text-align: center;">MIL-STD-348B</td> <td style="text-align: center;">MIL-STD-348B</td> </tr> </tbody> </table>	N	SC	MIL-STD-348B	MIL-STD-348B				
N	SC													
MIL-STD-348B	MIL-STD-348B													
N	SC													
MIL-STD-348B	MIL-STD-348B													
<div style="border: 1px solid black; padding: 2px;">Electrical Data</div> <p>Impedance</p> <p>Frequency Range</p> <p>VSWR</p> <p>Insertion Loss</p> <p>Insulation Resistance</p> <p>Dielectric Withstanding Voltage (at sea level)</p> <p>Working Voltage (at sea level)</p>	<p>50Ω</p> <p>DC To 11GHz</p> <p>≤ 1.3 (DC To 11GHz)</p> <p>≤ 0.06 x √f(GHz) dB</p> <p>≥ 5000MΩ</p> <p>2500 V rms</p> <p>1000 V rms</p>													
<div style="border: 1px solid black; padding: 2px;">Mechanical Data</div> <p>Recommended Coupling Nut Torque</p> <p>Coupling Proof Torque</p> <p>Coupling Nut Retention Force</p> <p>Contact Captivation-axial</p> <p>Durability (mating)</p>	<table border="1" style="width: 100%; border-collapse: collapse;"> <thead> <tr> <th style="width: 50%;">N</th> <th style="width: 50%;">SC</th> </tr> </thead> <tbody> <tr> <td style="text-align: center;">6 to 10 in-lbs</td> <td style="text-align: center;">12 to 15 in-lbs</td> </tr> <tr> <td style="text-align: center;">15 in-lbs</td> <td style="text-align: center;">15 in-lbs</td> </tr> <tr> <td style="text-align: center;">NA</td> <td style="text-align: center;">≥ 100 lbs</td> </tr> <tr> <td style="text-align: center;">≥ 6.3 lbs</td> <td style="text-align: center;">NA</td> </tr> <tr> <td style="text-align: center;">≥ 500</td> <td style="text-align: center;">≥ 500</td> </tr> </tbody> </table>		N	SC	6 to 10 in-lbs	12 to 15 in-lbs	15 in-lbs	15 in-lbs	NA	≥ 100 lbs	≥ 6.3 lbs	NA	≥ 500	≥ 500
N	SC													
6 to 10 in-lbs	12 to 15 in-lbs													
15 in-lbs	15 in-lbs													
NA	≥ 100 lbs													
≥ 6.3 lbs	NA													
≥ 500	≥ 500													
<div style="border: 1px solid black; padding: 2px;">Environmental Data</div> <p>Temperature Range</p> <p>Thermal Shock</p> <p>Moisture Resistance</p> <p>Corrosion</p> <p>RoHS</p>	<p>-65°C to +165°C</p> <p>MIL-STD-202, Method 107, Condition B</p> <p>MIL-STD-202, Method 206</p> <p>MIL-STD-202, Method 101, Condition B</p> <p>Compliant</p>													

Notice: JYEBAO reserves the right to make modifications deemed appropriate.