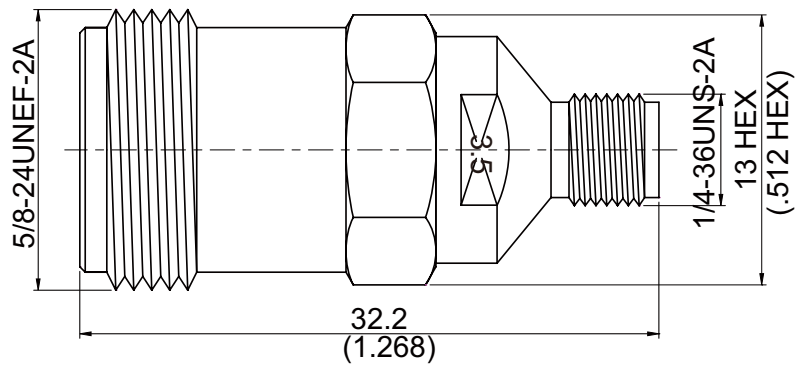


<b>ADS-N8PC8</b>	<b>N Jack To 3.5mm Jack 18GHz VSWR 1.15</b>	<b>50Ω</b>
------------------	---	------------



Parts	Material	Plating (Micro-inch)
Contact Pin	Beryllium Copper	Gold 4 Over Nickel-Phosphorus Alloy 80 Over Copper 20
Insulator	Teflon	
Body	Stainless Steel	Passivated

Weight:

**This part number complies with RoHS.**

**Notice: JYBAO reserves the right to make modifications deemed appropriate.**

ADS-N8PC8	N Jack To 3.5mm Jack 18GHz VSWR 1.15	
<b>Interface</b> Standard Mechanically compatible with	3.5 MIL-STD-348B 2.92 & SMA	N MIL-STD-348B
<b>Electrical Data</b> Impedance Frequency Range VSWR Insertion Loss Insulation Resistance Dielectric Withstanding Voltage (at sea level) Working Voltage (at sea level)	50Ω DC To 18GHz ≤ 1.15 (DC To 18GHz) ≤ 0.05 x √f(GHz) dB ≥ 5000MΩ 1100 V rms 335 V rms	
<b>Mechanical Data</b> Recommended Coupling Nut Torque Coupling Proof Torque Contact Captivation-axial Durability (mating)	3.5 7.1 to 9.7 in-lbs 15 in-lbs ≥ 6.1 lbs ≥ 500	N 6 to 10 in-lbs 15 in-lbs ≥ 6.3 lbs ≥ 500
<b>Environmental Data</b> Temperature Range Thermal Shock Moisture Resistance Corrosion RoHS	-65°C to +165°C MIL-STD-202, Method 107, Condition B MIL-STD-202, Method 206 MIL-STD-202, Method 101, Condition B Compliant	

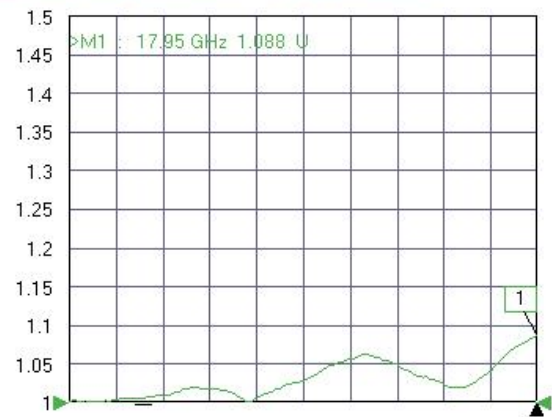
Notice: JYEBAO reserves the right to make modifications deemed appropriate.

# ADS-N8PC8

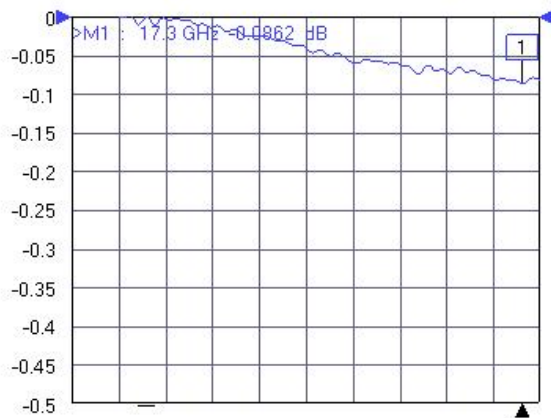
Tr1 S11 Refl SWR RefLvl: 1 U Res: 50 mU/Div



Tr2 S22 Refl SWR RefLvl: 1 U Res: 50 mU/Div



Tr3 S21 Trans LogM RefLvl: 0 dB Res: 0.05 dB/Div



Tr4 S12 Trans LogM RefLvl: 0 dB Res: 0.05 dB/Div

