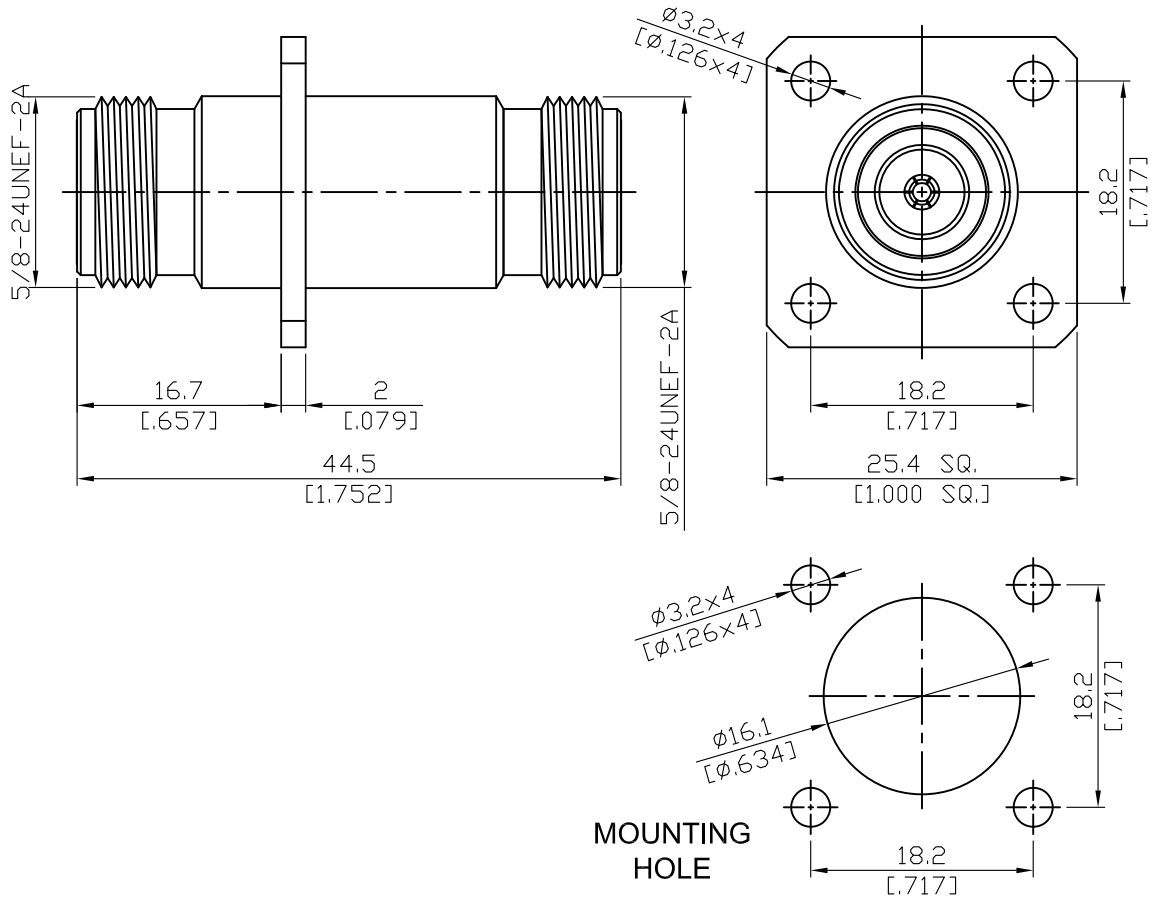


ADS-N8N8-P4-18-1.2	N Jack to N Jack With 4 Hole Flange 18GHz VSWR 1.2	50Ω
--------------------	---	-----



Parts	Material	Plating (Micro-inch)
Contact Pin	Beryllium Copper	Gold 4 Over Nickel-Phosphorus Alloy 80 Over Copper 20
Insulator	Teflon	
Body	Stainless	Passivated

--	--

This part number complies with RoHS.
 Notice: JYEBAO reserves the right to make modifications deemed appropriate.

ADS-N8N8-P4-18-1.2	N Jack to N Jack With 4 Hole Flange 18GHz VSWR 1.2																
<table border="0"> <tr> <td data-bbox="129 344 531 394">Interface</td> <td></td> </tr> <tr> <td data-bbox="129 394 531 533">Standard</td> <td data-bbox="531 394 1482 533">MIL-STD-348B</td> </tr> </table>		Interface		Standard	MIL-STD-348B												
Interface																	
Standard	MIL-STD-348B																
<table border="0"> <tr> <td data-bbox="129 562 531 611">Electrical Data</td> <td></td> </tr> <tr> <td data-bbox="129 611 531 660">Impedance</td> <td data-bbox="531 611 1482 660">50Ω</td> </tr> <tr> <td data-bbox="129 660 531 710">Frequency Range</td> <td data-bbox="531 660 1482 710">DC to 18GHz</td> </tr> <tr> <td data-bbox="129 710 531 759">VSWR</td> <td data-bbox="531 710 1482 759">≤ 1.2 (DC To 18GHz)</td> </tr> <tr> <td data-bbox="129 759 531 808">Insertion Loss</td> <td data-bbox="531 759 1482 808">≤ 0.05 x √f(GHz) dB</td> </tr> <tr> <td data-bbox="129 808 531 857">Insulation Resistance</td> <td data-bbox="531 808 1482 857">≥ 5000MΩ</td> </tr> <tr> <td data-bbox="129 857 531 907">Dielectric Withstanding Voltage (at sea level)</td> <td data-bbox="531 857 1482 907">2500 V rms</td> </tr> <tr> <td data-bbox="129 907 531 956">Working Voltage (at sea level)</td> <td data-bbox="531 907 1482 956">1000 V rms</td> </tr> </table>		Electrical Data		Impedance	50Ω	Frequency Range	DC to 18GHz	VSWR	≤ 1.2 (DC To 18GHz)	Insertion Loss	≤ 0.05 x √f(GHz) dB	Insulation Resistance	≥ 5000MΩ	Dielectric Withstanding Voltage (at sea level)	2500 V rms	Working Voltage (at sea level)	1000 V rms
Electrical Data																	
Impedance	50Ω																
Frequency Range	DC to 18GHz																
VSWR	≤ 1.2 (DC To 18GHz)																
Insertion Loss	≤ 0.05 x √f(GHz) dB																
Insulation Resistance	≥ 5000MΩ																
Dielectric Withstanding Voltage (at sea level)	2500 V rms																
Working Voltage (at sea level)	1000 V rms																
<table border="0"> <tr> <td data-bbox="129 1059 531 1108">Mechanical Data</td> <td></td> </tr> <tr> <td data-bbox="129 1108 531 1158">Recommended Coupling Nut Torque</td> <td data-bbox="531 1108 1482 1158">6 to 10 in-lbs</td> </tr> <tr> <td data-bbox="129 1158 531 1207">Coupling Proof Torque</td> <td data-bbox="531 1158 1482 1207">15 in-lbs</td> </tr> <tr> <td data-bbox="129 1207 531 1256">Contact Captivation-axial</td> <td data-bbox="531 1207 1482 1256">≥ 6.3 lbs</td> </tr> <tr> <td data-bbox="129 1256 531 1305">Durability (mating)</td> <td data-bbox="531 1256 1482 1305">≥ 500</td> </tr> </table>		Mechanical Data		Recommended Coupling Nut Torque	6 to 10 in-lbs	Coupling Proof Torque	15 in-lbs	Contact Captivation-axial	≥ 6.3 lbs	Durability (mating)	≥ 500						
Mechanical Data																	
Recommended Coupling Nut Torque	6 to 10 in-lbs																
Coupling Proof Torque	15 in-lbs																
Contact Captivation-axial	≥ 6.3 lbs																
Durability (mating)	≥ 500																
<table border="0"> <tr> <td data-bbox="129 1458 531 1507">Environmental Data</td> <td></td> </tr> <tr> <td data-bbox="129 1507 531 1556">Temperature Range</td> <td data-bbox="531 1507 1482 1556">-65°C to +165°C</td> </tr> <tr> <td data-bbox="129 1556 531 1606">Thermal Shock</td> <td data-bbox="531 1556 1482 1606">MIL-STD-202, Method 107, Condition B</td> </tr> <tr> <td data-bbox="129 1606 531 1655">Moisture Resistance</td> <td data-bbox="531 1606 1482 1655">MIL-STD-202, Method 206</td> </tr> <tr> <td data-bbox="129 1655 531 1704">Corrosion</td> <td data-bbox="531 1655 1482 1704">MIL-STD-202, Method 101, Condition B</td> </tr> <tr> <td data-bbox="129 1704 531 1753">RoHS</td> <td data-bbox="531 1704 1482 1753">Compliant</td> </tr> </table>		Environmental Data		Temperature Range	-65°C to +165°C	Thermal Shock	MIL-STD-202, Method 107, Condition B	Moisture Resistance	MIL-STD-202, Method 206	Corrosion	MIL-STD-202, Method 101, Condition B	RoHS	Compliant				
Environmental Data																	
Temperature Range	-65°C to +165°C																
Thermal Shock	MIL-STD-202, Method 107, Condition B																
Moisture Resistance	MIL-STD-202, Method 206																
Corrosion	MIL-STD-202, Method 101, Condition B																
RoHS	Compliant																

Notice: JYEBAO reserves the right to make modifications deemed appropriate.

ADS-N8N8-P4-18-1.2

