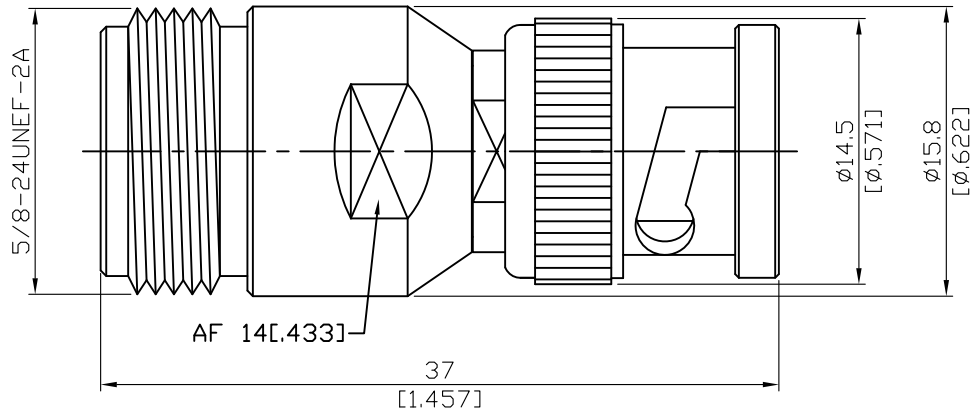


ADS-N8B3

N Jack To BNC Plug  
8GHz VSWR 1.3

50Ω



Parts	Material	Plating ( Micro-inch )
Coupling Nut	Stainless Steel	Passivated
Body	Stainless Steel	Passivated
Washer	Brass	Gold 4 Over Nickel-Phosphorus Alloy 80 Over Copper 20
Gasket	Silicone	
Insulator	Teflon	
Contact Pin	Beryllium Copper	Gold 4 Over Nickel-Phosphorus Alloy 80 Over Copper 20

This part number complies with RoHS.

Notice: JYEBAO reserves the right to make modifications deemed appropriate.

ADS-N8B3	N Jack To BNC Plug 8GHz VSWR 1.3													
<div style="border: 1px solid black; padding: 2px;">Interface</div> <p>Standard</p>	<table border="1" style="width: 100%; border-collapse: collapse;"> <thead> <tr> <th style="width: 50%;">N</th> <th style="width: 50%;">BNC</th> </tr> </thead> <tbody> <tr> <td style="text-align: center;">MIL-STD-348B</td> <td style="text-align: center;">MIL-STD-348B</td> </tr> </tbody> </table>	N	BNC	MIL-STD-348B	MIL-STD-348B									
N	BNC													
MIL-STD-348B	MIL-STD-348B													
<div style="border: 1px solid black; padding: 2px;">Electrical Data</div> <p>Impedance Frequency Range VSWR Insertion Loss Insulation Resistance Dielectric Withstanding Voltage (at sea level) Working Voltage (at sea level)</p>	<p style="text-align: center;">50Ω DC To 8GHz ≤ 1.3 (DC To 8GHz) ≤ 0.06 x √f(GHz) dB ≥ 5000MΩ 1500 V rms 500 V rms</p>													
<div style="border: 1px solid black; padding: 2px;">Mechanical Data</div> <p>Recommended Coupling Nut Torque Coupling Proof Torque Coupling Nut Retention Force Contact Captivation-axial Durability (mating)</p>	<table border="1" style="width: 100%; border-collapse: collapse;"> <thead> <tr> <th style="width: 50%;">N</th> <th style="width: 50%;">BNC</th> </tr> </thead> <tbody> <tr> <td style="text-align: center;">6 to 10 in-lbs</td> <td style="text-align: center;">0.6 to 2.5 in-lbs</td> </tr> <tr> <td style="text-align: center;">15 in-lbs</td> <td style="text-align: center;">NA</td> </tr> <tr> <td style="text-align: center;">NA</td> <td style="text-align: center;">≥ 101.2 lbs</td> </tr> <tr> <td style="text-align: center;">≥ 6.3 lbs</td> <td style="text-align: center;">≥ 6.1 lbs</td> </tr> <tr> <td style="text-align: center;">≥ 500</td> <td style="text-align: center;">≥ 500</td> </tr> </tbody> </table>		N	BNC	6 to 10 in-lbs	0.6 to 2.5 in-lbs	15 in-lbs	NA	NA	≥ 101.2 lbs	≥ 6.3 lbs	≥ 6.1 lbs	≥ 500	≥ 500
N	BNC													
6 to 10 in-lbs	0.6 to 2.5 in-lbs													
15 in-lbs	NA													
NA	≥ 101.2 lbs													
≥ 6.3 lbs	≥ 6.1 lbs													
≥ 500	≥ 500													
<div style="border: 1px solid black; padding: 2px;">Environmental Data</div> <p>Temperature Range Thermal Shock Moisture Resistance Corrosion RoHS</p>	<p style="text-align: center;">-65°C to +165°C MIL-STD-202, Method 107, Condition B MIL-STD-202, Method 206 MIL-STD-202, Method 101, Condition B Compliant</p>													

Notice: JYEBAO reserves the right to make modifications deemed appropriate.

# ADS-N8B3

