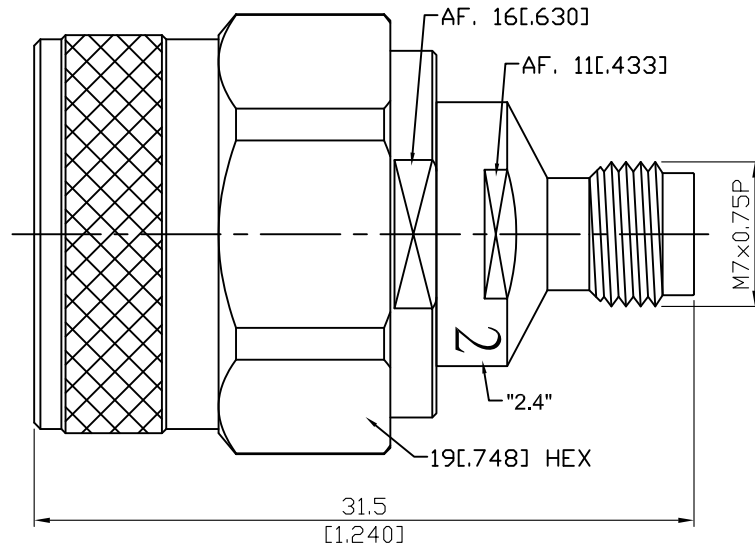


ADS-N3-2.4/8

N Plug To 2.4 Jack
18GHz VSWR 1.15

50Ω



Parts	Material	Plating (Micro-inch)
Retainer Ring	Brass	Tin-Zinc-Copper-Alloy 100 Over Copper 50
Gasket	Silicone	
Contact Pin	Beryllium Copper	Gold 4 Over Nickel-Phosphorus Alloy 80 Over Copper 20
Insulator	PTFE	
Body	Stainless Steel	Passivated
Coupling Nut	Stainless Steel	Passivated

This part number complies with RoHS.

Notice: JYEBAO reserves the right to make modifications deemed appropriate.

ADS-N3-2.4/8	N Plug To 2.4 Jack 18GHz VSWR 1.15													
Interface Standard Mechanically compatible with	<table border="1"> <thead> <tr> <th data-bbox="780 344 1121 394">2.4</th> <th data-bbox="1121 344 1482 394">N</th> </tr> </thead> <tbody> <tr> <td data-bbox="780 394 1121 443">MIL-STD-348B</td> <td data-bbox="1121 394 1482 443">MIL-STD-348B</td> </tr> <tr> <td data-bbox="780 443 1121 492">1.85</td> <td data-bbox="1121 443 1482 492"></td> </tr> </tbody> </table>	2.4	N	MIL-STD-348B	MIL-STD-348B	1.85								
2.4	N													
MIL-STD-348B	MIL-STD-348B													
1.85														
Electrical Data Impedance Frequency Range VSWR Insertion Loss Insulation Resistance Dielectric Withstanding Voltage (at sea level) Working Voltage (at sea level)	50Ω DC to 18GHz ≤ 1.15 (DC to 18GHz) ≤ 0.03 x √f(GHz) dB ≥ 5000MΩ 500 V rms 150 V rms													
Mechanical Data Recommended Coupling Nut Torque Coupling Proof Torque Coupling Nut Retention Force Contact Captivation-axial Durability (mating)	<table border="1"> <thead> <tr> <th data-bbox="780 1104 1121 1153">2.4</th> <th data-bbox="1121 1104 1482 1153">N</th> </tr> </thead> <tbody> <tr> <td data-bbox="780 1153 1121 1202">7.08 to 9.74 inch lbs</td> <td data-bbox="1121 1153 1482 1202">6 to 10 inch lbs</td> </tr> <tr> <td data-bbox="780 1202 1121 1252">15 inch lbs</td> <td data-bbox="1121 1202 1482 1252">15 inch lbs</td> </tr> <tr> <td data-bbox="780 1252 1121 1301">NA</td> <td data-bbox="1121 1252 1482 1301">≥ 101.2 lbs</td> </tr> <tr> <td data-bbox="780 1301 1121 1350">≥ 4.5 lbs</td> <td data-bbox="1121 1301 1482 1350">≥ 6.3 lbs</td> </tr> <tr> <td data-bbox="780 1350 1121 1400">≥ 500</td> <td data-bbox="1121 1350 1482 1400">≥ 500</td> </tr> </tbody> </table>		2.4	N	7.08 to 9.74 inch lbs	6 to 10 inch lbs	15 inch lbs	15 inch lbs	NA	≥ 101.2 lbs	≥ 4.5 lbs	≥ 6.3 lbs	≥ 500	≥ 500
2.4	N													
7.08 to 9.74 inch lbs	6 to 10 inch lbs													
15 inch lbs	15 inch lbs													
NA	≥ 101.2 lbs													
≥ 4.5 lbs	≥ 6.3 lbs													
≥ 500	≥ 500													
Environmental Data Temperature Range Thermal Shock Moisture Resistance Corrosion RoHS	-65°C to +165°C MIL-STD-202, Method 107, Condition B MIL-STD-202, Method 206 MIL-STD-202, Method 101, Condition B Compliant													

ADS-N3-2.4/8

