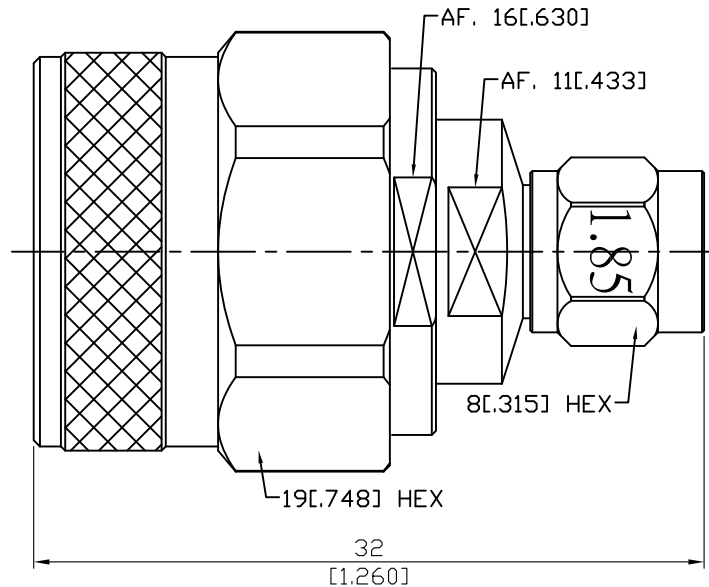


ADS-N3-1.85/3-1.15

N Plug To 1.85mm Plug
18GHz VSWR 1.15

50Ω



Parts	Material	Plating (Micro-inch)
Retainer Ring	Beryllium Copper	Tin-Zinc-Copper-Alloy 100 Over Copper 50
Gasket	Silicone	
Retainer Ring	Brass	Tin-Zinc-Copper-Alloy 100 Over Copper 50
Contact Pin	Beryllium Copper	Gold 4 Over Nickel-Phosphorus Alloy 80 Over Copper 20
Insulator	Teflon	
Body	Stainless Steel	Passivated
Coupling Nut	Stainless Steel	Passivated

This part number complies with RoHS.

Notice: JYEBAO reserves the right to make modifications deemed appropriate.

ADS-N3-1.85/3-1.15	N Plug To 1.85mm Plug 18GHz VSWR 1.15																						
<div style="border: 1px solid black; padding: 2px; margin-bottom: 5px;">Interface</div> Standard Mechanically compatible with	<table border="1" style="width: 100%; border-collapse: collapse;"> <thead> <tr> <th style="width: 50%;"></th> <th style="width: 50%; text-align: center;">1.85</th> <th style="width: 50%; text-align: center;">N</th> </tr> </thead> <tbody> <tr> <td style="border-top: 1px solid black;">Standard</td> <td style="border-top: 1px solid black; border-right: 1px solid black;">IEEE287; IEC61169-32</td> <td style="border-top: 1px solid black;">MIL-STD-348B</td> </tr> <tr> <td style="border-bottom: 1px solid black;">Mechanically compatible with</td> <td style="border-bottom: 1px solid black; border-right: 1px solid black;">2.4</td> <td style="border-bottom: 1px solid black;"></td> </tr> </tbody> </table>		1.85	N	Standard	IEEE287; IEC61169-32	MIL-STD-348B	Mechanically compatible with	2.4														
	1.85	N																					
Standard	IEEE287; IEC61169-32	MIL-STD-348B																					
Mechanically compatible with	2.4																						
<div style="border: 1px solid black; padding: 2px; margin-bottom: 5px;">Electrical Data</div> Impedance Frequency Range VSWR Insertion Loss Insulation Resistance Dielectric Withstanding Voltage (at sea level) Working Voltage (at sea level)	<table style="width: 100%;"> <tbody> <tr> <td style="width: 50%;">Impedance</td> <td colspan="2" style="text-align: center;">50Ω</td> </tr> <tr> <td>Frequency Range</td> <td colspan="2" style="text-align: center;">DC to 18GHz</td> </tr> <tr> <td>VSWR</td> <td colspan="2" style="text-align: center;">≤ 1.15 (DC to 18GHz)</td> </tr> <tr> <td>Insertion Loss</td> <td colspan="2" style="text-align: center;">≤ 0.03 x √f(GHz) dB</td> </tr> <tr> <td>Insulation Resistance</td> <td colspan="2" style="text-align: center;">≥ 5000MΩ</td> </tr> <tr> <td>Dielectric Withstanding Voltage (at sea level)</td> <td colspan="2" style="text-align: center;">500 V rms</td> </tr> <tr> <td>Working Voltage (at sea level)</td> <td colspan="2" style="text-align: center;">150 V rms</td> </tr> </tbody> </table>		Impedance	50Ω		Frequency Range	DC to 18GHz		VSWR	≤ 1.15 (DC to 18GHz)		Insertion Loss	≤ 0.03 x √f(GHz) dB		Insulation Resistance	≥ 5000MΩ		Dielectric Withstanding Voltage (at sea level)	500 V rms		Working Voltage (at sea level)	150 V rms	
Impedance	50Ω																						
Frequency Range	DC to 18GHz																						
VSWR	≤ 1.15 (DC to 18GHz)																						
Insertion Loss	≤ 0.03 x √f(GHz) dB																						
Insulation Resistance	≥ 5000MΩ																						
Dielectric Withstanding Voltage (at sea level)	500 V rms																						
Working Voltage (at sea level)	150 V rms																						
<div style="border: 1px solid black; padding: 2px; margin-bottom: 5px;">Mechanical Data</div> Recommended Coupling Nut Torque Coupling Proof Torque Contact Captivation-axial Durability (mating)	<table border="1" style="width: 100%; border-collapse: collapse;"> <thead> <tr> <th style="width: 50%;"></th> <th style="width: 50%; text-align: center;">1.85</th> <th style="width: 50%; text-align: center;">N</th> </tr> </thead> <tbody> <tr> <td style="border-top: 1px solid black;">Recommended Coupling Nut Torque</td> <td style="border-top: 1px solid black; border-right: 1px solid black;">7.08 to 9.74 inch lbs</td> <td style="border-top: 1px solid black;">6 to 10 inch lbs</td> </tr> <tr> <td style="border-bottom: 1px solid black;">Coupling Proof Torque</td> <td style="border-bottom: 1px solid black; border-right: 1px solid black;">15 in-lbs</td> <td style="border-bottom: 1px solid black;">15 in-lbs</td> </tr> <tr> <td style="border-bottom: 1px solid black;">Contact Captivation-axial</td> <td style="border-bottom: 1px solid black; border-right: 1px solid black;">≥ 4.5 lbs</td> <td style="border-bottom: 1px solid black;">≥ 6.3 lbs</td> </tr> <tr> <td style="border-bottom: 1px solid black;">Durability (mating)</td> <td style="border-bottom: 1px solid black; border-right: 1px solid black;">≥ 500</td> <td style="border-bottom: 1px solid black;">≥ 500</td> </tr> </tbody> </table>			1.85	N	Recommended Coupling Nut Torque	7.08 to 9.74 inch lbs	6 to 10 inch lbs	Coupling Proof Torque	15 in-lbs	15 in-lbs	Contact Captivation-axial	≥ 4.5 lbs	≥ 6.3 lbs	Durability (mating)	≥ 500	≥ 500						
	1.85	N																					
Recommended Coupling Nut Torque	7.08 to 9.74 inch lbs	6 to 10 inch lbs																					
Coupling Proof Torque	15 in-lbs	15 in-lbs																					
Contact Captivation-axial	≥ 4.5 lbs	≥ 6.3 lbs																					
Durability (mating)	≥ 500	≥ 500																					
<div style="border: 1px solid black; padding: 2px; margin-bottom: 5px;">Environmental Data</div> Temperature Range Thermal Shock Moisture Resistance Corrosion RoHS	<table style="width: 100%;"> <tbody> <tr> <td style="width: 50%;">Temperature Range</td> <td colspan="2" style="text-align: center;">-65°C to +165°C</td> </tr> <tr> <td>Thermal Shock</td> <td colspan="2" style="text-align: center;">MIL-STD-202, Method 107, Condition B</td> </tr> <tr> <td>Moisture Resistance</td> <td colspan="2" style="text-align: center;">MIL-STD-202, Method 206</td> </tr> <tr> <td>Corrosion</td> <td colspan="2" style="text-align: center;">MIL-STD-202, Method 101, Condition B</td> </tr> <tr> <td>RoHS</td> <td colspan="2" style="text-align: center;">Compliant</td> </tr> </tbody> </table>		Temperature Range	-65°C to +165°C		Thermal Shock	MIL-STD-202, Method 107, Condition B		Moisture Resistance	MIL-STD-202, Method 206		Corrosion	MIL-STD-202, Method 101, Condition B		RoHS	Compliant							
Temperature Range	-65°C to +165°C																						
Thermal Shock	MIL-STD-202, Method 107, Condition B																						
Moisture Resistance	MIL-STD-202, Method 206																						
Corrosion	MIL-STD-202, Method 101, Condition B																						
RoHS	Compliant																						

ADS-N3-1.85/3-1.15

