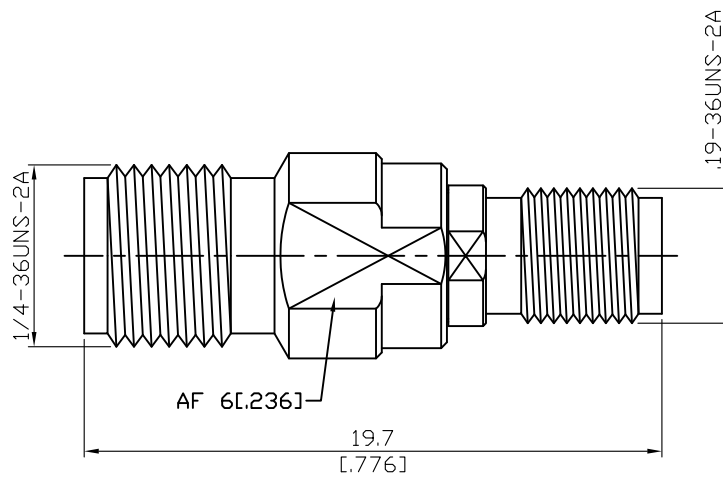


ADS-K8SA8-1.25

2.92mm Jack to SSMA Jack
40GHz VSWR 1.25

50Ω



Parts	Material	Plating (Micro-inch)
Body	Stainless Steel	Passivated
Insulator (2.92)	PEI	
Contact Pin	Beryllium Copper	Gold 4 Over Nickel-Phosphorus Alloy 80 Over Copper 20
Insulator (SSMA)	PTFE	

--	--

This part number complies with RoHS.

Notice: JYEBAO reserves the right to make modifications deemed appropriate.

ADS-K8SA8-1.25		2.92mm Jack to SSMA Jack 40GHz VSWR 1.25	
Interface		2.92	SSMA
Standard		MIL-STD-348B	MIL-STD-348B
Mechanically compatible with		3.5 & SMA	
Electrical Data			
Impedance		50Ω	
Frequency Range		DC To 40GHz	
VSWR		≤ 1.25 (DC To 40GHz)	
Insertion Loss		≤ 0.05 x √f(GHz) dB	
Insulation Resistance		≥ 5000MΩ	
Dielectric Withstanding Voltage (at sea level)		750 V rms	
Working Voltage (at sea level)		250 V rms	
Mechanical Data		2.92	SSMA
Recommended Coupling Nut Torque		11.47 in-lbs	4 in-lbs
Coupling Proof Torque		15 in-lbs	5 in-lbs
Contact Captivation-axial		≥ 4.9 lbs	≥ 5 lbs
Durability (mating)		≥ 500	≥ 500
Environmental Data			
Temperature Range		-40°C to +165°C	
Thermal Shock		MIL-STD-202, Method 107, Condition B	
Moisture Resistance		MIL-STD-202, Method 206	
Corrosion		MIL-STD-202, Method 101, Condition B	
RoHS		Compliant	