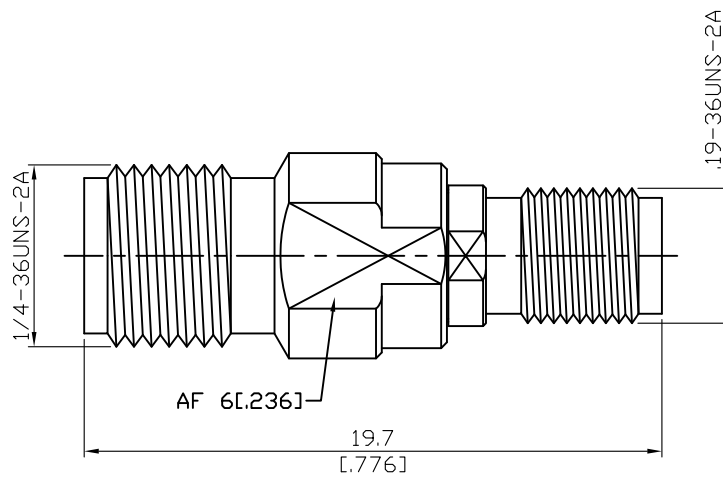


ADS-K8SA8-1.15	2.92mm Jack to SSMA Jack 40GHz VSWR 1.15	50Ω
----------------	---	-----



Parts	Material	Plating (Micro-inch)
Body	Stainless Steel	Passivated
Insulator (2.92)	PEI	
Contact Pin	Beryllium Copper	Gold 4 Over Nickel-Phosphorus Alloy 80 Over Copper 20
Insulator (SSMA)	PTFE	

--	--

This part number complies with RoHS.

Notice: JYEBAO reserves the right to make modifications deemed appropriate.

ADS-K8SA8-1.15	2.92mm Jack to SSMA Jack 40GHz VSWR 1.15																						
<div style="border: 1px solid black; padding: 2px; margin-bottom: 5px;">Interface</div> Standard Mechanically compatible with	<table border="1" style="width: 100%; border-collapse: collapse;"> <thead> <tr> <th style="width: 50%;">2.92</th> <th style="width: 50%;">SSMA</th> </tr> </thead> <tbody> <tr> <td style="text-align: center;">MIL-STD-348B</td> <td style="text-align: center;">MIL-STD-348B</td> </tr> <tr> <td style="text-align: center;">3.5 & SMA</td> <td></td> </tr> </tbody> </table>	2.92	SSMA	MIL-STD-348B	MIL-STD-348B	3.5 & SMA																	
2.92	SSMA																						
MIL-STD-348B	MIL-STD-348B																						
3.5 & SMA																							
<div style="border: 1px solid black; padding: 2px; margin-bottom: 5px;">Electrical Data</div> Impedance Frequency Range VSWR Insertion Loss Insulation Resistance Dielectric Withstanding Voltage (at sea level) Working Voltage (at sea level)	<table style="width: 100%; border-collapse: collapse;"> <tbody> <tr> <td style="width: 50%;">Impedance</td> <td colspan="2" style="text-align: center;">50Ω</td> </tr> <tr> <td>Frequency Range</td> <td colspan="2" style="text-align: center;">DC To 40GHz</td> </tr> <tr> <td>VSWR</td> <td colspan="2" style="text-align: center;">≤ 1.15 (DC To 40GHz)</td> </tr> <tr> <td>Insertion Loss</td> <td colspan="2" style="text-align: center;">≤ 0.05 x √f(GHz) dB</td> </tr> <tr> <td>Insulation Resistance</td> <td colspan="2" style="text-align: center;">≥ 5000MΩ</td> </tr> <tr> <td>Dielectric Withstanding Voltage (at sea level)</td> <td colspan="2" style="text-align: center;">750 V rms</td> </tr> <tr> <td>Working Voltage (at sea level)</td> <td colspan="2" style="text-align: center;">250 V rms</td> </tr> </tbody> </table>		Impedance	50Ω		Frequency Range	DC To 40GHz		VSWR	≤ 1.15 (DC To 40GHz)		Insertion Loss	≤ 0.05 x √f(GHz) dB		Insulation Resistance	≥ 5000MΩ		Dielectric Withstanding Voltage (at sea level)	750 V rms		Working Voltage (at sea level)	250 V rms	
Impedance	50Ω																						
Frequency Range	DC To 40GHz																						
VSWR	≤ 1.15 (DC To 40GHz)																						
Insertion Loss	≤ 0.05 x √f(GHz) dB																						
Insulation Resistance	≥ 5000MΩ																						
Dielectric Withstanding Voltage (at sea level)	750 V rms																						
Working Voltage (at sea level)	250 V rms																						
<div style="border: 1px solid black; padding: 2px; margin-bottom: 5px;">Mechanical Data</div> Recommended Coupling Nut Torque Coupling Proof Torque Contact Captivation-axial Durability (mating)	<table border="1" style="width: 100%; border-collapse: collapse;"> <thead> <tr> <th style="width: 50%;"></th> <th style="width: 25%;">2.92</th> <th style="width: 25%;">SSMA</th> </tr> </thead> <tbody> <tr> <td>Recommended Coupling Nut Torque</td> <td style="text-align: center;">11.47 in-lbs</td> <td style="text-align: center;">4 in-lbs</td> </tr> <tr> <td>Coupling Proof Torque</td> <td style="text-align: center;">15 in-lbs</td> <td style="text-align: center;">5 in-lbs</td> </tr> <tr> <td>Contact Captivation-axial</td> <td style="text-align: center;">≥ 4.9 lbs</td> <td style="text-align: center;">≥ 5 lbs</td> </tr> <tr> <td>Durability (mating)</td> <td style="text-align: center;">≥ 500</td> <td style="text-align: center;">≥ 500</td> </tr> </tbody> </table>			2.92	SSMA	Recommended Coupling Nut Torque	11.47 in-lbs	4 in-lbs	Coupling Proof Torque	15 in-lbs	5 in-lbs	Contact Captivation-axial	≥ 4.9 lbs	≥ 5 lbs	Durability (mating)	≥ 500	≥ 500						
	2.92	SSMA																					
Recommended Coupling Nut Torque	11.47 in-lbs	4 in-lbs																					
Coupling Proof Torque	15 in-lbs	5 in-lbs																					
Contact Captivation-axial	≥ 4.9 lbs	≥ 5 lbs																					
Durability (mating)	≥ 500	≥ 500																					
<div style="border: 1px solid black; padding: 2px; margin-bottom: 5px;">Environmental Data</div> Temperature Range Thermal Shock Moisture Resistance Corrosion RoHS	<table style="width: 100%; border-collapse: collapse;"> <tbody> <tr> <td style="width: 50%;">Temperature Range</td> <td colspan="2" style="text-align: center;">-40°C to +165°C</td> </tr> <tr> <td>Thermal Shock</td> <td colspan="2" style="text-align: center;">MIL-STD-202, Method 107, Condition B</td> </tr> <tr> <td>Moisture Resistance</td> <td colspan="2" style="text-align: center;">MIL-STD-202, Method 206</td> </tr> <tr> <td>Corrosion</td> <td colspan="2" style="text-align: center;">MIL-STD-202, Method 101, Condition B</td> </tr> <tr> <td>RoHS</td> <td colspan="2" style="text-align: center;">Compliant</td> </tr> </tbody> </table>		Temperature Range	-40°C to +165°C		Thermal Shock	MIL-STD-202, Method 107, Condition B		Moisture Resistance	MIL-STD-202, Method 206		Corrosion	MIL-STD-202, Method 101, Condition B		RoHS	Compliant							
Temperature Range	-40°C to +165°C																						
Thermal Shock	MIL-STD-202, Method 107, Condition B																						
Moisture Resistance	MIL-STD-202, Method 206																						
Corrosion	MIL-STD-202, Method 101, Condition B																						
RoHS	Compliant																						