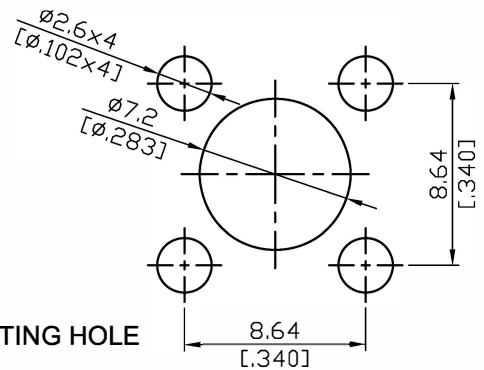
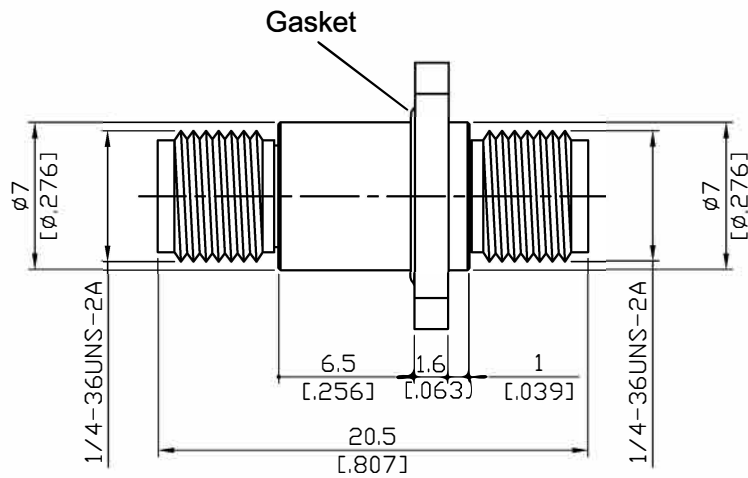
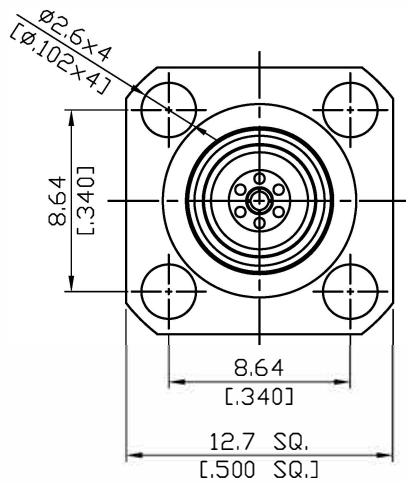


ADS-K8K8-P4-GB-1.15

Hermetic 1×10^{-8} cc/sec helium at 1atm
2.92mm jack to 2.92mm jack 4 hole flange, 40GHz VSWR 1.15

50Ω



Hermiticity of 1×10^{-8} cc/sec of helium at 1atm

MOUNTING HOLE

Parts	Material	Plating (Micro-inch)
Flange Body	Stainless Steel	Gold 5 Over Nickel 50
Connection Body	Stainless Steel	Passivated
Insulator	PEI	
Contact Pin	Beryllium Copper	Gold 4 Over Nickel-Phosphorus Alloy 80 Over Copper 20
Glass Seal	Kovar+Glass	Gold 4 Over Nickel-Phosphorus Alloy 80 Over Copper 20
Gasket	Silicone	

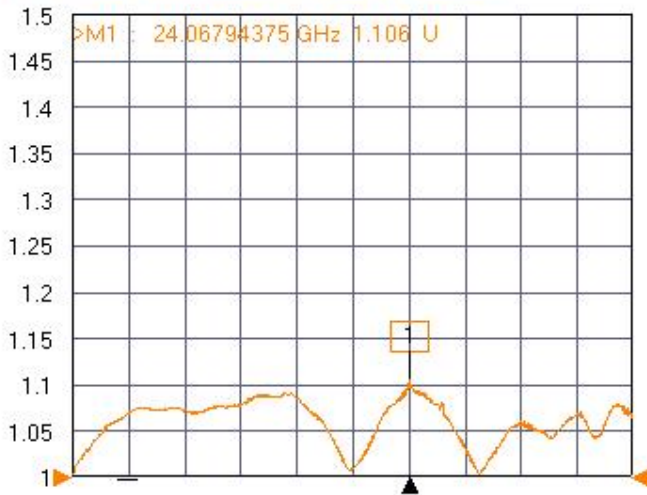
This part number complies with RoHS.

Notice: JYEBAO reserves the right to make modifications deemed appropriate.

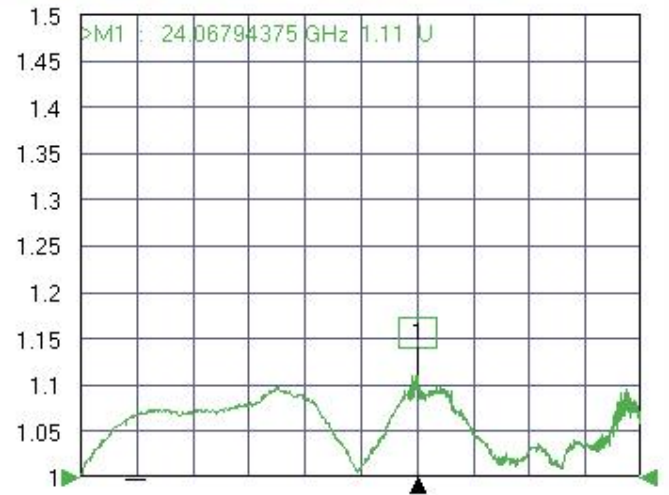
ADS-K8K8-P4-GB-1.15	Hermetic 1*10 ⁻⁸ cc/sec helium at 1atm 2.92mm jack to 2.92mm jack 4 hole flange, 40GHz VSWR 1.15																		
<table border="0"> <tr> <td colspan="2" data-bbox="129 344 531 394">Interface</td> </tr> <tr> <td data-bbox="129 405 778 488">Standard Mechanically compatible with</td> <td data-bbox="794 405 1482 488">MIL-STD-348B 3.5 & SMA</td> </tr> </table>		Interface		Standard Mechanically compatible with	MIL-STD-348B 3.5 & SMA														
Interface																			
Standard Mechanically compatible with	MIL-STD-348B 3.5 & SMA																		
<table border="0"> <tr> <td colspan="2" data-bbox="129 607 531 656">Electrical Data</td> </tr> <tr> <td data-bbox="129 667 778 696">Impedance</td> <td data-bbox="794 667 1482 696">50Ω</td> </tr> <tr> <td data-bbox="129 707 778 741">Frequency Range</td> <td data-bbox="794 707 1482 741">DC to 40GHz</td> </tr> <tr> <td data-bbox="129 752 778 786">VSWR</td> <td data-bbox="794 752 1482 786">≤ 1.15 (DC To 40GHz)</td> </tr> <tr> <td data-bbox="129 797 778 831">Insertion Loss</td> <td data-bbox="794 797 1482 831">≤ 0.08 x √f(GHz) dB</td> </tr> <tr> <td data-bbox="129 842 778 875">Insulation Resistance</td> <td data-bbox="794 842 1482 875">≥ 5000MΩ</td> </tr> <tr> <td data-bbox="129 887 778 920">Dielectric Withstanding Voltage (at sea level)</td> <td data-bbox="794 887 1482 920">750 V rms</td> </tr> <tr> <td data-bbox="129 931 778 965">Working Voltage (at sea level)</td> <td data-bbox="794 931 1482 965">250 V rms</td> </tr> <tr> <td data-bbox="129 976 778 1010">RF Leakage</td> <td data-bbox="794 976 1482 1010">≥ 100dB to 1GHz</td> </tr> </table>		Electrical Data		Impedance	50Ω	Frequency Range	DC to 40GHz	VSWR	≤ 1.15 (DC To 40GHz)	Insertion Loss	≤ 0.08 x √f(GHz) dB	Insulation Resistance	≥ 5000MΩ	Dielectric Withstanding Voltage (at sea level)	750 V rms	Working Voltage (at sea level)	250 V rms	RF Leakage	≥ 100dB to 1GHz
Electrical Data																			
Impedance	50Ω																		
Frequency Range	DC to 40GHz																		
VSWR	≤ 1.15 (DC To 40GHz)																		
Insertion Loss	≤ 0.08 x √f(GHz) dB																		
Insulation Resistance	≥ 5000MΩ																		
Dielectric Withstanding Voltage (at sea level)	750 V rms																		
Working Voltage (at sea level)	250 V rms																		
RF Leakage	≥ 100dB to 1GHz																		
<table border="0"> <tr> <td colspan="2" data-bbox="129 1155 531 1205">Mechanical Data</td> </tr> <tr> <td data-bbox="129 1216 778 1249">Recommended Coupling Nut Torque</td> <td data-bbox="794 1216 1482 1249">11.47 in-lbs</td> </tr> <tr> <td data-bbox="129 1261 778 1294">Coupling Proof Torque</td> <td data-bbox="794 1261 1482 1294">15 in-lbs</td> </tr> <tr> <td data-bbox="129 1305 778 1339">Contact Captivation-axial</td> <td data-bbox="794 1305 1482 1339">≥ 4.9 lbs</td> </tr> <tr> <td data-bbox="129 1350 778 1384">Durability (mating)</td> <td data-bbox="794 1350 1482 1384">≥ 500</td> </tr> </table>		Mechanical Data		Recommended Coupling Nut Torque	11.47 in-lbs	Coupling Proof Torque	15 in-lbs	Contact Captivation-axial	≥ 4.9 lbs	Durability (mating)	≥ 500								
Mechanical Data																			
Recommended Coupling Nut Torque	11.47 in-lbs																		
Coupling Proof Torque	15 in-lbs																		
Contact Captivation-axial	≥ 4.9 lbs																		
Durability (mating)	≥ 500																		
<table border="0"> <tr> <td colspan="2" data-bbox="129 1507 531 1556">Environmental Data</td> </tr> <tr> <td data-bbox="129 1563 778 1597">Temperature Range</td> <td data-bbox="794 1563 1482 1597">-40°C to +165°C</td> </tr> <tr> <td data-bbox="129 1608 778 1641">Thermal Shock</td> <td data-bbox="794 1608 1482 1641">MIL-STD-202, Method 107, Condition B</td> </tr> <tr> <td data-bbox="129 1653 778 1686">Moisture Resistance</td> <td data-bbox="794 1653 1482 1686">MIL-STD-202, Method 206</td> </tr> <tr> <td data-bbox="129 1697 778 1731">Corrosion</td> <td data-bbox="794 1697 1482 1731">MIL-STD-202, Method 101, Condition B</td> </tr> <tr> <td data-bbox="129 1742 778 1776">RoHS</td> <td data-bbox="794 1742 1482 1776">Compliant</td> </tr> </table>		Environmental Data		Temperature Range	-40°C to +165°C	Thermal Shock	MIL-STD-202, Method 107, Condition B	Moisture Resistance	MIL-STD-202, Method 206	Corrosion	MIL-STD-202, Method 101, Condition B	RoHS	Compliant						
Environmental Data																			
Temperature Range	-40°C to +165°C																		
Thermal Shock	MIL-STD-202, Method 107, Condition B																		
Moisture Resistance	MIL-STD-202, Method 206																		
Corrosion	MIL-STD-202, Method 101, Condition B																		
RoHS	Compliant																		

ADS-K8K8-P4-GB-1.15

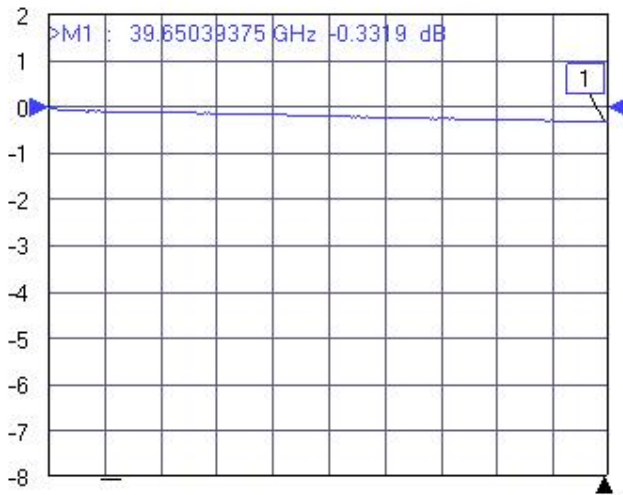
Tr1 S11 Refl SWR RefLvl: 1 U Res: 50 mU/Div



Tr2 S22 Refl SWR RefLvl: 1 U Res: 50 mU/Div



Tr3 S21 Trans LogM RefLvl: 0 dB Res: 1 dB/Div



Tr4 S12 Trans LogM RefLvl: 0 dB Res: 1 dB/Div

