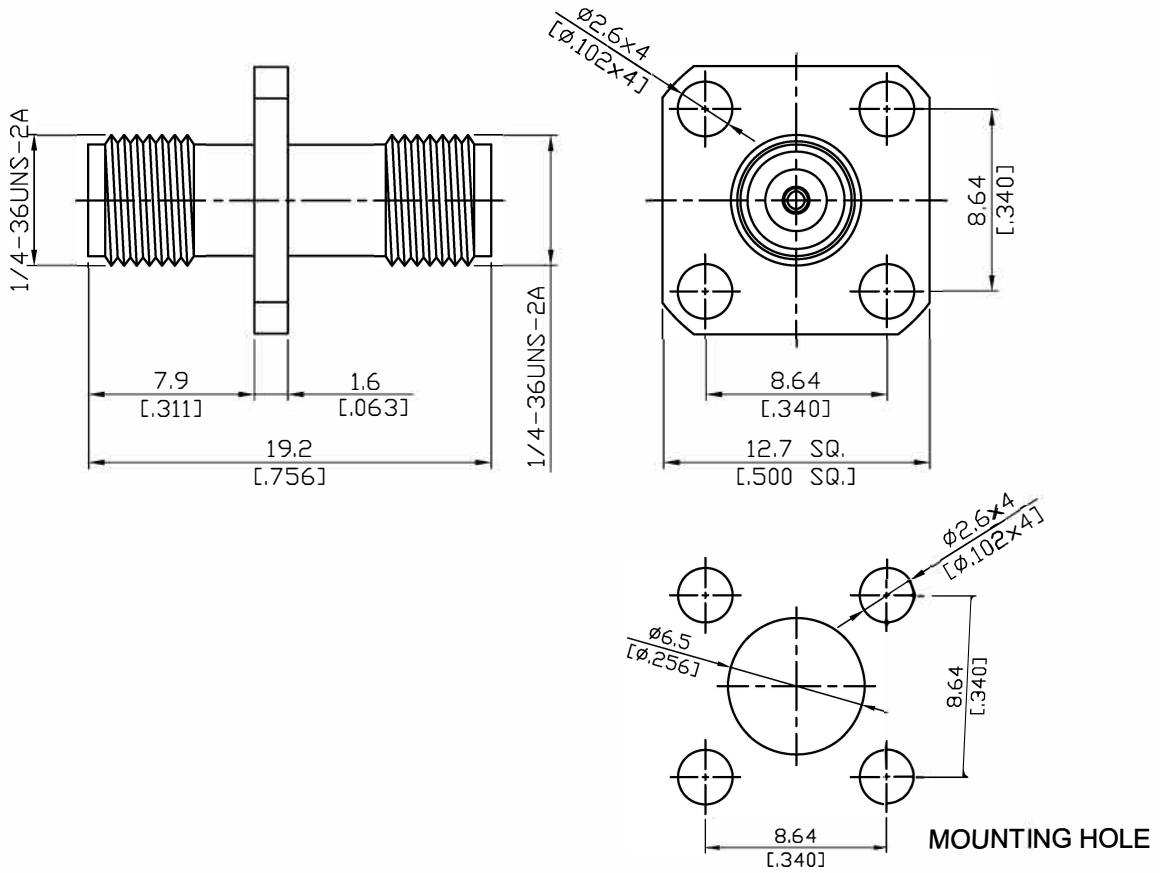


ADS-K8K8-P4-1.1

2.92mm Jack To 2.92mm Jack 4-Hole Flange  
40GHz VSWR 1.1

50Ω



Parts	Material	Plating ( Micro-inch )
Contact Pin	Beryllium Copper	Gold 4 Over Nickel-Phosphorus Alloy 80 Over Copper 20
Insulator	PPO	
Body	Stainless Steel	Passivated

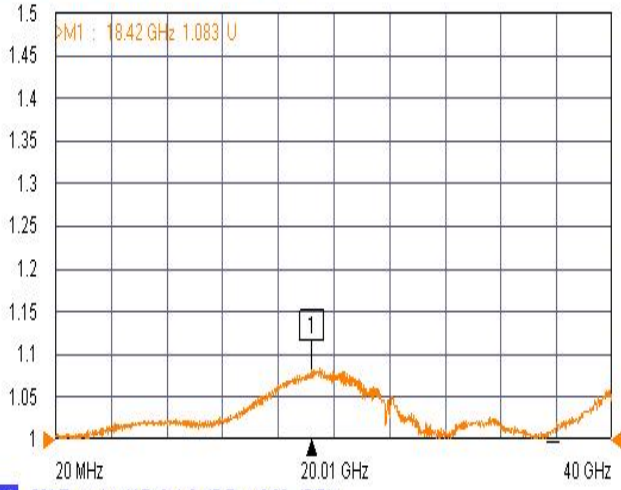
This part number complies with RoHS.  
Notice: JYEBAO reserves the right to make modifications deemed appropriate.

ADS-K8K8-P4-1.1	2.92mm Jack To 2.92mm Jack 4-Hole Flange 40GHz VSWR 1.1																		
<table border="0"> <tr> <td colspan="2" data-bbox="129 342 531 392"><b>Interface</b></td> </tr> <tr> <td data-bbox="129 398 790 481">Standard Mechanically compatible with</td> <td data-bbox="790 398 1479 481">MIL-STD-348B 3.5 &amp; SMA</td> </tr> </table>		<b>Interface</b>		Standard Mechanically compatible with	MIL-STD-348B 3.5 & SMA														
<b>Interface</b>																			
Standard Mechanically compatible with	MIL-STD-348B 3.5 & SMA																		
<table border="0"> <tr> <td colspan="2" data-bbox="129 602 531 651"><b>Electrical Data</b></td> </tr> <tr> <td data-bbox="129 658 790 694">Impedance</td> <td data-bbox="790 658 1479 694">50Ω</td> </tr> <tr> <td data-bbox="129 703 790 739">Frequency Range</td> <td data-bbox="790 703 1479 739">DC to 40GHz</td> </tr> <tr> <td data-bbox="129 748 790 784">VSWR</td> <td data-bbox="790 748 1479 784">≤ 1.1 (DC To 40GHz)</td> </tr> <tr> <td data-bbox="129 792 790 828">Insertion Loss</td> <td data-bbox="790 792 1479 828">≤ 0.04 x √f(GHz) dB</td> </tr> <tr> <td data-bbox="129 837 790 873">Insulation Resistance</td> <td data-bbox="790 837 1479 873">≥ 5000MΩ</td> </tr> <tr> <td data-bbox="129 882 790 918">Dielectric Withstanding Voltage (at sea level)</td> <td data-bbox="790 882 1479 918">750 V rms</td> </tr> <tr> <td data-bbox="129 927 790 963">Working Voltage (at sea level)</td> <td data-bbox="790 927 1479 963">250 V rms</td> </tr> <tr> <td data-bbox="129 972 790 1008">RF Leakage</td> <td data-bbox="790 972 1479 1008">≥ 100dB to 1GHz</td> </tr> </table>		<b>Electrical Data</b>		Impedance	50Ω	Frequency Range	DC to 40GHz	VSWR	≤ 1.1 (DC To 40GHz)	Insertion Loss	≤ 0.04 x √f(GHz) dB	Insulation Resistance	≥ 5000MΩ	Dielectric Withstanding Voltage (at sea level)	750 V rms	Working Voltage (at sea level)	250 V rms	RF Leakage	≥ 100dB to 1GHz
<b>Electrical Data</b>																			
Impedance	50Ω																		
Frequency Range	DC to 40GHz																		
VSWR	≤ 1.1 (DC To 40GHz)																		
Insertion Loss	≤ 0.04 x √f(GHz) dB																		
Insulation Resistance	≥ 5000MΩ																		
Dielectric Withstanding Voltage (at sea level)	750 V rms																		
Working Voltage (at sea level)	250 V rms																		
RF Leakage	≥ 100dB to 1GHz																		
<table border="0"> <tr> <td colspan="2" data-bbox="129 1149 531 1198"><b>Mechanical Data</b></td> </tr> <tr> <td data-bbox="129 1205 790 1240">Recommended Coupling Nut Torque</td> <td data-bbox="790 1205 1479 1240">11.47 in-lbs</td> </tr> <tr> <td data-bbox="129 1249 790 1285">Coupling Proof Torque</td> <td data-bbox="790 1249 1479 1285">15 in-lbs</td> </tr> <tr> <td data-bbox="129 1294 790 1330">Contact Captivation-axial</td> <td data-bbox="790 1294 1479 1330">≥ 4.9 lbs</td> </tr> <tr> <td data-bbox="129 1339 790 1375">Durability (mating)</td> <td data-bbox="790 1339 1479 1375">≥ 500</td> </tr> </table>		<b>Mechanical Data</b>		Recommended Coupling Nut Torque	11.47 in-lbs	Coupling Proof Torque	15 in-lbs	Contact Captivation-axial	≥ 4.9 lbs	Durability (mating)	≥ 500								
<b>Mechanical Data</b>																			
Recommended Coupling Nut Torque	11.47 in-lbs																		
Coupling Proof Torque	15 in-lbs																		
Contact Captivation-axial	≥ 4.9 lbs																		
Durability (mating)	≥ 500																		
<table border="0"> <tr> <td colspan="2" data-bbox="129 1503 531 1552"><b>Environmental Data</b></td> </tr> <tr> <td data-bbox="129 1559 790 1594">Temperature Range</td> <td data-bbox="790 1559 1479 1594">-55°C to +105°C</td> </tr> <tr> <td data-bbox="129 1603 790 1639">Thermal Shock</td> <td data-bbox="790 1603 1479 1639">MIL-STD-202, Method 107, Condition B</td> </tr> <tr> <td data-bbox="129 1648 790 1684">Moisture Resistance</td> <td data-bbox="790 1648 1479 1684">MIL-STD-202, Method 206</td> </tr> <tr> <td data-bbox="129 1693 790 1729">Corrosion</td> <td data-bbox="790 1693 1479 1729">MIL-STD-202, Method 101, Condition B</td> </tr> <tr> <td data-bbox="129 1738 790 1774">RoHS</td> <td data-bbox="790 1738 1479 1774">Compliant</td> </tr> </table>		<b>Environmental Data</b>		Temperature Range	-55°C to +105°C	Thermal Shock	MIL-STD-202, Method 107, Condition B	Moisture Resistance	MIL-STD-202, Method 206	Corrosion	MIL-STD-202, Method 101, Condition B	RoHS	Compliant						
<b>Environmental Data</b>																			
Temperature Range	-55°C to +105°C																		
Thermal Shock	MIL-STD-202, Method 107, Condition B																		
Moisture Resistance	MIL-STD-202, Method 206																		
Corrosion	MIL-STD-202, Method 101, Condition B																		
RoHS	Compliant																		

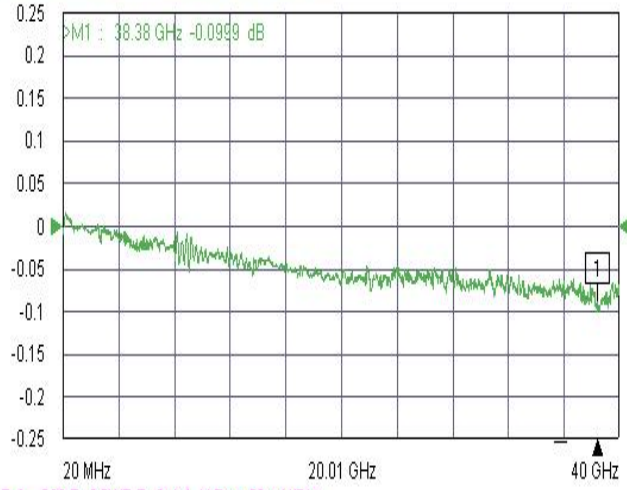
Notice: JYEBAO reserves the right to make modifications deemed appropriate.

# ADS-K8K8-P4-1.1

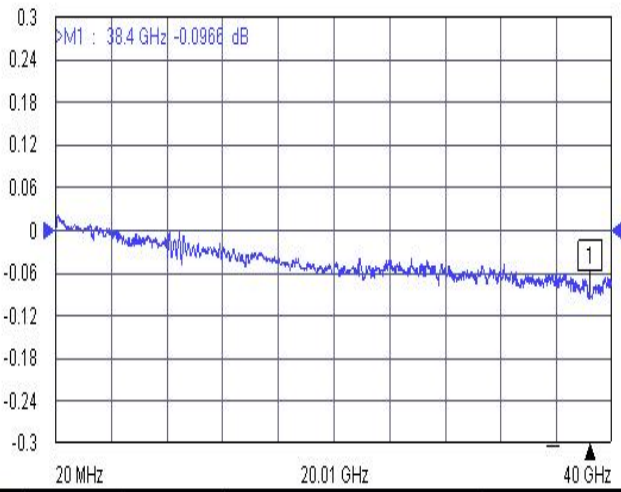
Tr1 S11 Refl SWR RefLvl: 1 U Res: 50 mU/Div



Tr2 S12 Trans LogM RefLvl: 0 dB Res: 0.05 dB/Div



Tr3 S21 Trans LogM RefLvl: 0 dB Res: 0.06 dB/Div



Tr4 S22 Refl SWR RefLvl: 1 U Res: 50 mU/Div

