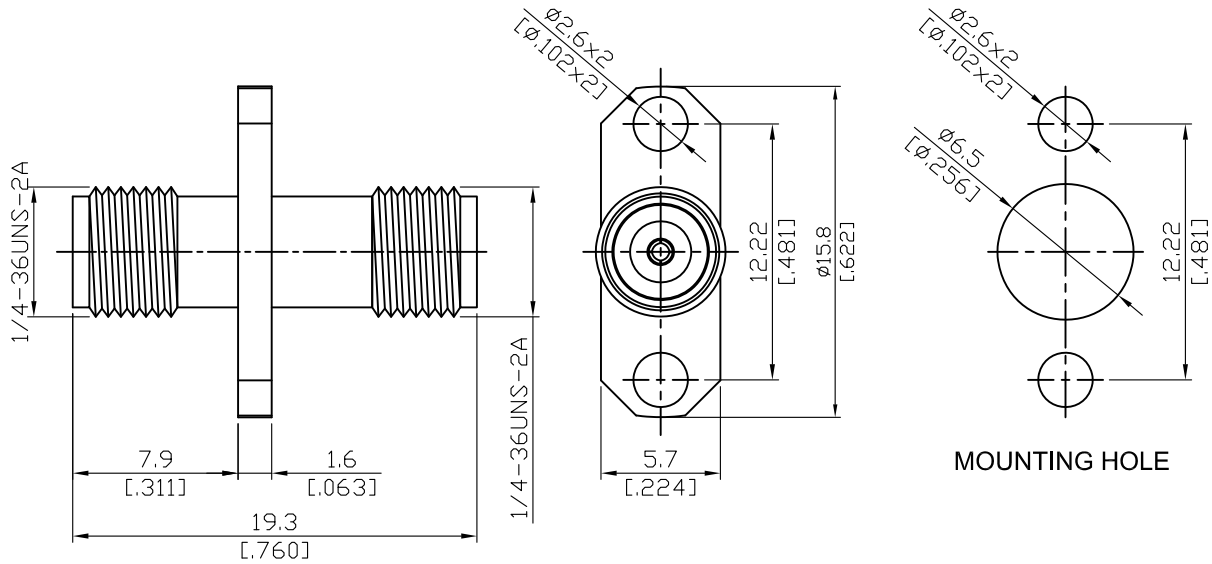


ADS-K8K8-P2-1.25

2.92mm Jack To 2.92mm Jack
2-Hole Flange; 40GHz VSWR 1.25

50Ω



Parts	Material	Plating (Micro-inch)
Contact Pin	Beryllium Copper	Gold 4 Over Nickel-Phosphorus Alloy 80 Over Copper 20
Insulator	PPO	
Body	Stainless Steel	Passivated

This part number complies with RoHS.

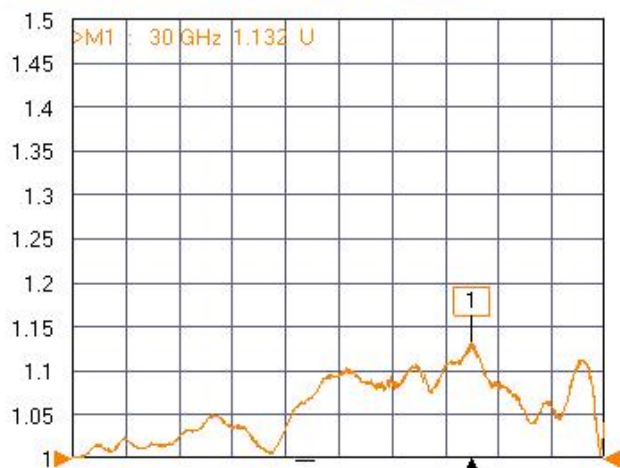
Notice: JYEBAO reserves the right to make modifications deemed appropriate.

ADS-K8K8-P2-1.25	2.92mm Jack To 2.92mm Jack 2-Hole Flange; 40GHz VSWR 1.25
Interface	
Standard	MIL-STD-348B
Mechanically compatible with	3.5 & SMA
Electrical Data	
Impedance	50Ω
Frequency Range	DC to 40GHz
VSWR	≤ 1.25 (DC To 40GHz)
Insertion Loss	≤ 0.04 x √f(GHz) dB
Insulation Resistance	≥ 5000MΩ
Dielectric Withstanding Voltage (at sea level)	750 V rms
Working Voltage (at sea level)	250 V rms
RF Leakage	≥ 100dB to 1GHz
Mechanical Data	
Recommended Coupling Nut Torque	11.47 in-lbs
Coupling Proof Torque	15 in-lbs
Contact Captivation-axial	≥ 4.9 lbs
Durability (mating)	≥ 500
Environmental Data	
Temperature Range	-55°C to +105°C
Thermal Shock	MIL-STD-202, Method 107, Condition B
Moisture Resistance	MIL-STD-202, Method 206
Corrosion	MIL-STD-202, Method 101, Condition B
RoHS	Compliant

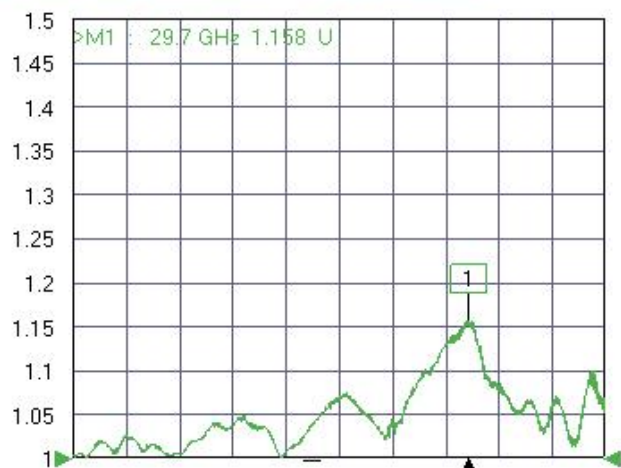
Notice: JYEBAO reserves the right to make modifications deemed appropriate.

ADS-K8K8-P2-1.25

Tr1 S11 Refl SWR RefLvl: 1 U Res: 50 mU/Div



Tr2 S22 Refl SWR RefLvl: 1 U Res: 50 mU/Div



Tr3 S12 Trans LogM RefLvl: 0 dB Res: 0.5 dB/Div



Tr4 S21 Trans LogM RefLvl: 0 dB Res: 0.5 dB/Div



Ch1 TR Start 50 MHz Stop 40 GHz IFBW 1 kHz Avg OFF Measuring State CORR