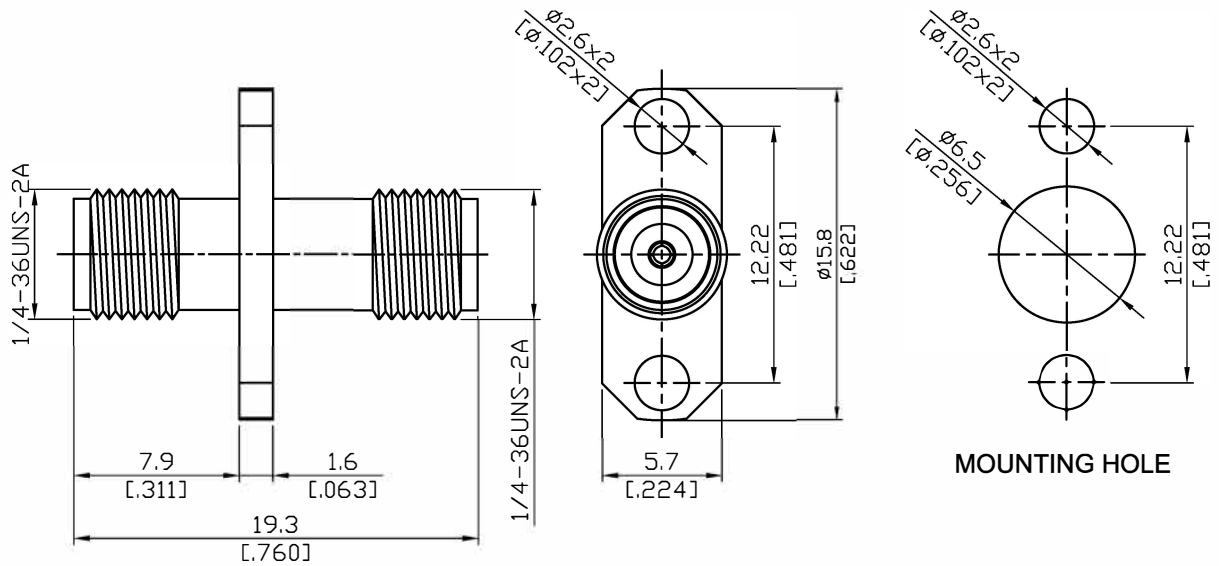


ADS-K8K8-P2-1.1

2.92mm Jack To 2.92mm Jack  
2-Hole Flange; 40GHz VSWR 1.1

50Ω



Parts	Material	Plating ( Micro-inch )
Contact Pin	Beryllium Copper	Gold 4 Over Nickel-Phosphorus Alloy 80 Over Copper 20
Insulator	PPO	
Body	Stainless Steel	Passivated

This part number complies with RoHS.

Notice: JYEBAO reserves the right to make modifications deemed appropriate.

ADS-K8K8-P2-1.1	2.92mm Jack To 2.92mm Jack 2-Hole Flange; 40GHz VSWR 1.1																		
<table border="0"> <tr> <td colspan="2" data-bbox="129 342 531 392"><b>Interface</b></td> </tr> <tr> <td data-bbox="129 398 794 488">Standard Mechanically compatible with</td> <td data-bbox="794 398 1481 488">MIL-STD-348B 3.5 &amp; SMA</td> </tr> </table>		<b>Interface</b>		Standard Mechanically compatible with	MIL-STD-348B 3.5 & SMA														
<b>Interface</b>																			
Standard Mechanically compatible with	MIL-STD-348B 3.5 & SMA																		
<table border="0"> <tr> <td colspan="2" data-bbox="129 602 531 651"><b>Electrical Data</b></td> </tr> <tr> <td data-bbox="129 658 794 696">Impedance</td> <td data-bbox="794 658 1481 696">50Ω</td> </tr> <tr> <td data-bbox="129 703 794 741">Frequency Range</td> <td data-bbox="794 703 1481 741">DC to 40GHz</td> </tr> <tr> <td data-bbox="129 748 794 786">VSWR</td> <td data-bbox="794 748 1481 786">≤ 1.1 (DC To 40GHz)</td> </tr> <tr> <td data-bbox="129 792 794 831">Insertion Loss</td> <td data-bbox="794 792 1481 831">≤ 0.04 x √f(GHz) dB</td> </tr> <tr> <td data-bbox="129 837 794 875">Insulation Resistance</td> <td data-bbox="794 837 1481 875">≥ 5000MΩ</td> </tr> <tr> <td data-bbox="129 882 794 920">Dielectric Withstanding Voltage (at sea level)</td> <td data-bbox="794 882 1481 920">750 V rms</td> </tr> <tr> <td data-bbox="129 927 794 965">Working Voltage (at sea level)</td> <td data-bbox="794 927 1481 965">250 V rms</td> </tr> <tr> <td data-bbox="129 972 794 1010">RF Leakage</td> <td data-bbox="794 972 1481 1010">≥ 100dB to 1GHz</td> </tr> </table>		<b>Electrical Data</b>		Impedance	50Ω	Frequency Range	DC to 40GHz	VSWR	≤ 1.1 (DC To 40GHz)	Insertion Loss	≤ 0.04 x √f(GHz) dB	Insulation Resistance	≥ 5000MΩ	Dielectric Withstanding Voltage (at sea level)	750 V rms	Working Voltage (at sea level)	250 V rms	RF Leakage	≥ 100dB to 1GHz
<b>Electrical Data</b>																			
Impedance	50Ω																		
Frequency Range	DC to 40GHz																		
VSWR	≤ 1.1 (DC To 40GHz)																		
Insertion Loss	≤ 0.04 x √f(GHz) dB																		
Insulation Resistance	≥ 5000MΩ																		
Dielectric Withstanding Voltage (at sea level)	750 V rms																		
Working Voltage (at sea level)	250 V rms																		
RF Leakage	≥ 100dB to 1GHz																		
<table border="0"> <tr> <td colspan="2" data-bbox="129 1149 531 1198"><b>Mechanical Data</b></td> </tr> <tr> <td data-bbox="129 1205 794 1243">Recommended Coupling Nut Torque</td> <td data-bbox="794 1205 1481 1243">11.47 in-lbs</td> </tr> <tr> <td data-bbox="129 1249 794 1288">Coupling Proof Torque</td> <td data-bbox="794 1249 1481 1288">15 in-lbs</td> </tr> <tr> <td data-bbox="129 1294 794 1332">Contact Captivation-axial</td> <td data-bbox="794 1294 1481 1332">≥ 4.9 lbs</td> </tr> <tr> <td data-bbox="129 1339 794 1377">Durability (mating)</td> <td data-bbox="794 1339 1481 1377">≥ 500</td> </tr> </table>		<b>Mechanical Data</b>		Recommended Coupling Nut Torque	11.47 in-lbs	Coupling Proof Torque	15 in-lbs	Contact Captivation-axial	≥ 4.9 lbs	Durability (mating)	≥ 500								
<b>Mechanical Data</b>																			
Recommended Coupling Nut Torque	11.47 in-lbs																		
Coupling Proof Torque	15 in-lbs																		
Contact Captivation-axial	≥ 4.9 lbs																		
Durability (mating)	≥ 500																		
<table border="0"> <tr> <td colspan="2" data-bbox="129 1503 531 1552"><b>Environmental Data</b></td> </tr> <tr> <td data-bbox="129 1559 794 1597">Temperature Range</td> <td data-bbox="794 1559 1481 1597">-55°C to +105°C</td> </tr> <tr> <td data-bbox="129 1603 794 1641">Thermal Shock</td> <td data-bbox="794 1603 1481 1641">MIL-STD-202, Method 107, Condition B</td> </tr> <tr> <td data-bbox="129 1648 794 1686">Moisture Resistance</td> <td data-bbox="794 1648 1481 1686">MIL-STD-202, Method 206</td> </tr> <tr> <td data-bbox="129 1693 794 1731">Corrosion</td> <td data-bbox="794 1693 1481 1731">MIL-STD-202, Method 101, Condition B</td> </tr> <tr> <td data-bbox="129 1738 794 1776">RoHS</td> <td data-bbox="794 1738 1481 1776">Compliant</td> </tr> </table>		<b>Environmental Data</b>		Temperature Range	-55°C to +105°C	Thermal Shock	MIL-STD-202, Method 107, Condition B	Moisture Resistance	MIL-STD-202, Method 206	Corrosion	MIL-STD-202, Method 101, Condition B	RoHS	Compliant						
<b>Environmental Data</b>																			
Temperature Range	-55°C to +105°C																		
Thermal Shock	MIL-STD-202, Method 107, Condition B																		
Moisture Resistance	MIL-STD-202, Method 206																		
Corrosion	MIL-STD-202, Method 101, Condition B																		
RoHS	Compliant																		

# ADS-K8K8-P2-1.1

