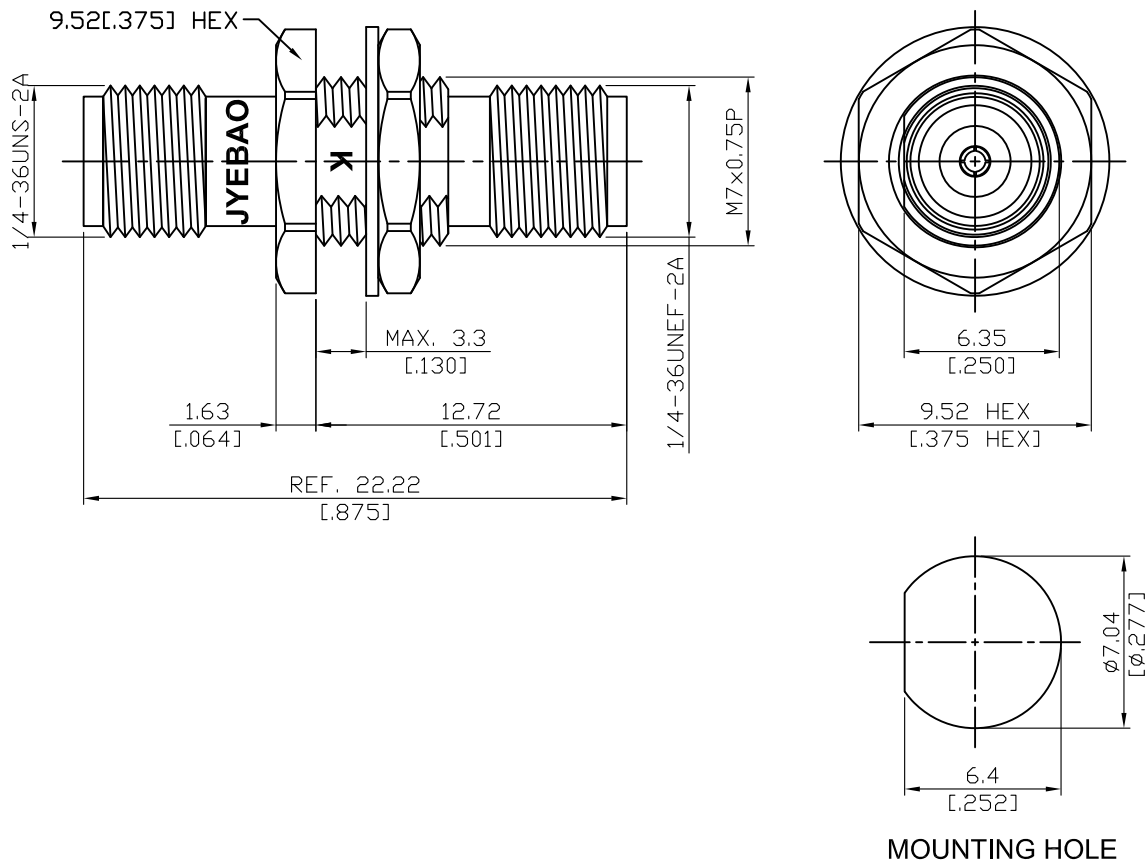


ADS-K8K8-BFA-1.25	2.92mm Jack To 2.92mm Jack Bulkhead 40GHz VSWR 1.25	50Ω
-------------------	--	-----



Parts	Material	Plating (Micro-inch)
Body	Stainless Steel	Passivated
Insulator	PEI	
Contact Pin	Beryllium Copper	Gold 4 Over Nickel-Phosphorus Alloy 80 Over Copper 20
Lock Washer	Stainless Steel	Passivated
Hex Nut	Stainless Steel	Passivated

--	--

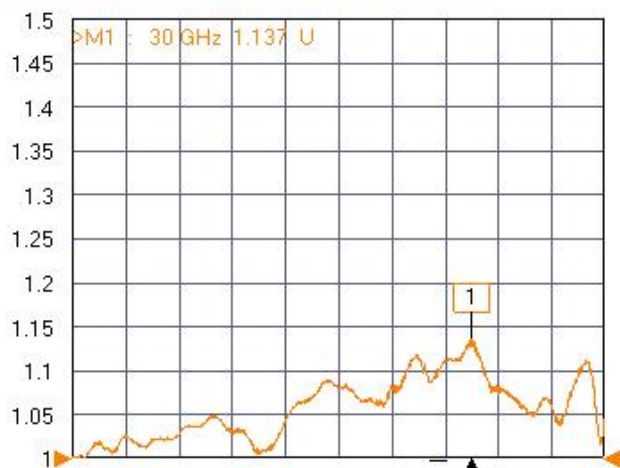
This part number complies with RoHS.
 Notice: JYEBAO reserves the right to make modifications deemed appropriate.

ADS-K8K8-BFA-1.25	2.92mm Jack To 2.92mm Jack Bulkhead 40GHz VSWR 1.25																		
<table border="0"> <tr> <td colspan="2" data-bbox="129 344 531 389">Interface</td> </tr> <tr> <td data-bbox="129 405 791 483">Standard Mechanically compatible with</td> <td data-bbox="791 405 1479 483">MIL-STD-348B 3.5 & SMA</td> </tr> </table>		Interface		Standard Mechanically compatible with	MIL-STD-348B 3.5 & SMA														
Interface																			
Standard Mechanically compatible with	MIL-STD-348B 3.5 & SMA																		
<table border="0"> <tr> <td colspan="2" data-bbox="129 607 531 651">Electrical Data</td> </tr> <tr> <td data-bbox="129 663 791 696">Impedance</td> <td data-bbox="791 663 1479 696">50Ω</td> </tr> <tr> <td data-bbox="129 707 791 741">Frequency Range</td> <td data-bbox="791 707 1479 741">DC to 40GHz</td> </tr> <tr> <td data-bbox="129 752 791 786">VSWR</td> <td data-bbox="791 752 1479 786">≤ 1.25 (DC To 40GHz)</td> </tr> <tr> <td data-bbox="129 797 791 831">Insertion Loss</td> <td data-bbox="791 797 1479 831">≤ 0.04 x √f(GHz) dB</td> </tr> <tr> <td data-bbox="129 842 791 875">Insulation Resistance</td> <td data-bbox="791 842 1479 875">≥ 5000MΩ</td> </tr> <tr> <td data-bbox="129 887 791 920">Dielectric Withstanding Voltage (at sea level)</td> <td data-bbox="791 887 1479 920">750 V rms</td> </tr> <tr> <td data-bbox="129 931 791 965">Working Voltage (at sea level)</td> <td data-bbox="791 931 1479 965">250 V rms</td> </tr> <tr> <td data-bbox="129 976 791 1010">RF Leakage</td> <td data-bbox="791 976 1479 1010">≥ 100dB to 1GHz</td> </tr> </table>		Electrical Data		Impedance	50Ω	Frequency Range	DC to 40GHz	VSWR	≤ 1.25 (DC To 40GHz)	Insertion Loss	≤ 0.04 x √f(GHz) dB	Insulation Resistance	≥ 5000MΩ	Dielectric Withstanding Voltage (at sea level)	750 V rms	Working Voltage (at sea level)	250 V rms	RF Leakage	≥ 100dB to 1GHz
Electrical Data																			
Impedance	50Ω																		
Frequency Range	DC to 40GHz																		
VSWR	≤ 1.25 (DC To 40GHz)																		
Insertion Loss	≤ 0.04 x √f(GHz) dB																		
Insulation Resistance	≥ 5000MΩ																		
Dielectric Withstanding Voltage (at sea level)	750 V rms																		
Working Voltage (at sea level)	250 V rms																		
RF Leakage	≥ 100dB to 1GHz																		
<table border="0"> <tr> <td colspan="2" data-bbox="129 1155 531 1200">Mechanical Data</td> </tr> <tr> <td data-bbox="129 1211 791 1245">Recommended Coupling Nut Torque</td> <td data-bbox="791 1211 1479 1245">11.47 in-lbs</td> </tr> <tr> <td data-bbox="129 1256 791 1290">Coupling Proof Torque</td> <td data-bbox="791 1256 1479 1290">15 in-lbs</td> </tr> <tr> <td data-bbox="129 1301 791 1335">Contact Captivation-axial</td> <td data-bbox="791 1301 1479 1335">≥ 4.9 lbs</td> </tr> <tr> <td data-bbox="129 1346 791 1379">Durability (mating)</td> <td data-bbox="791 1346 1479 1379">≥ 500</td> </tr> </table>		Mechanical Data		Recommended Coupling Nut Torque	11.47 in-lbs	Coupling Proof Torque	15 in-lbs	Contact Captivation-axial	≥ 4.9 lbs	Durability (mating)	≥ 500								
Mechanical Data																			
Recommended Coupling Nut Torque	11.47 in-lbs																		
Coupling Proof Torque	15 in-lbs																		
Contact Captivation-axial	≥ 4.9 lbs																		
Durability (mating)	≥ 500																		
<table border="0"> <tr> <td colspan="2" data-bbox="129 1507 531 1552">Environmental Data</td> </tr> <tr> <td data-bbox="129 1563 791 1597">Temperature Range</td> <td data-bbox="791 1563 1479 1597">-40°C to +165°C</td> </tr> <tr> <td data-bbox="129 1608 791 1641">Thermal Shock</td> <td data-bbox="791 1608 1479 1641">MIL-STD-202, Method 107, Condition B</td> </tr> <tr> <td data-bbox="129 1653 791 1686">Moisture Resistance</td> <td data-bbox="791 1653 1479 1686">MIL-STD-202, Method 206</td> </tr> <tr> <td data-bbox="129 1697 791 1731">Corrosion</td> <td data-bbox="791 1697 1479 1731">MIL-STD-202, Method 101, Condition B</td> </tr> <tr> <td data-bbox="129 1742 791 1776">RoHS</td> <td data-bbox="791 1742 1479 1776">Compliant</td> </tr> </table>		Environmental Data		Temperature Range	-40°C to +165°C	Thermal Shock	MIL-STD-202, Method 107, Condition B	Moisture Resistance	MIL-STD-202, Method 206	Corrosion	MIL-STD-202, Method 101, Condition B	RoHS	Compliant						
Environmental Data																			
Temperature Range	-40°C to +165°C																		
Thermal Shock	MIL-STD-202, Method 107, Condition B																		
Moisture Resistance	MIL-STD-202, Method 206																		
Corrosion	MIL-STD-202, Method 101, Condition B																		
RoHS	Compliant																		

Notice: JYEBAO reserves the right to make modifications deemed appropriate.

ADS-K8K8-BFA-1.25

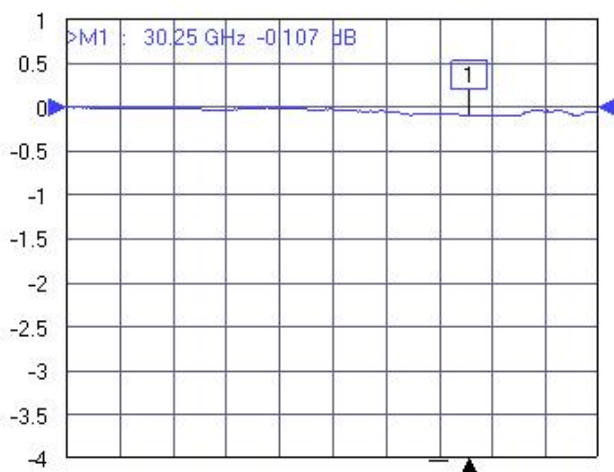
Tr1 S11 Refl SWR RefLvl: 1 U Res: 50 mU/Div



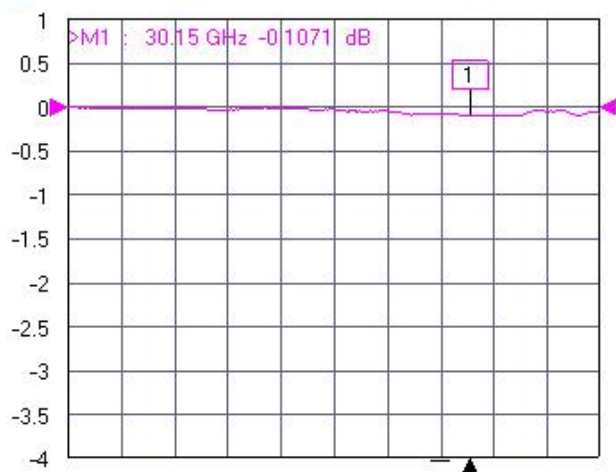
Tr2 S22 Refl SWR RefLvl: 1 U Res: 50 mU/Div



Tr3 S12 Trans LogM RefLvl: 0 dB Res: 0.5 dB/Div



Tr4 S21 Trans LogM RefLvl: 0 dB Res: 0.5 dB/Div



Ch1 TR Start 50 MHz Stop 40 GHz IFBW 1 kHz Avg OFF Measuring State CORR