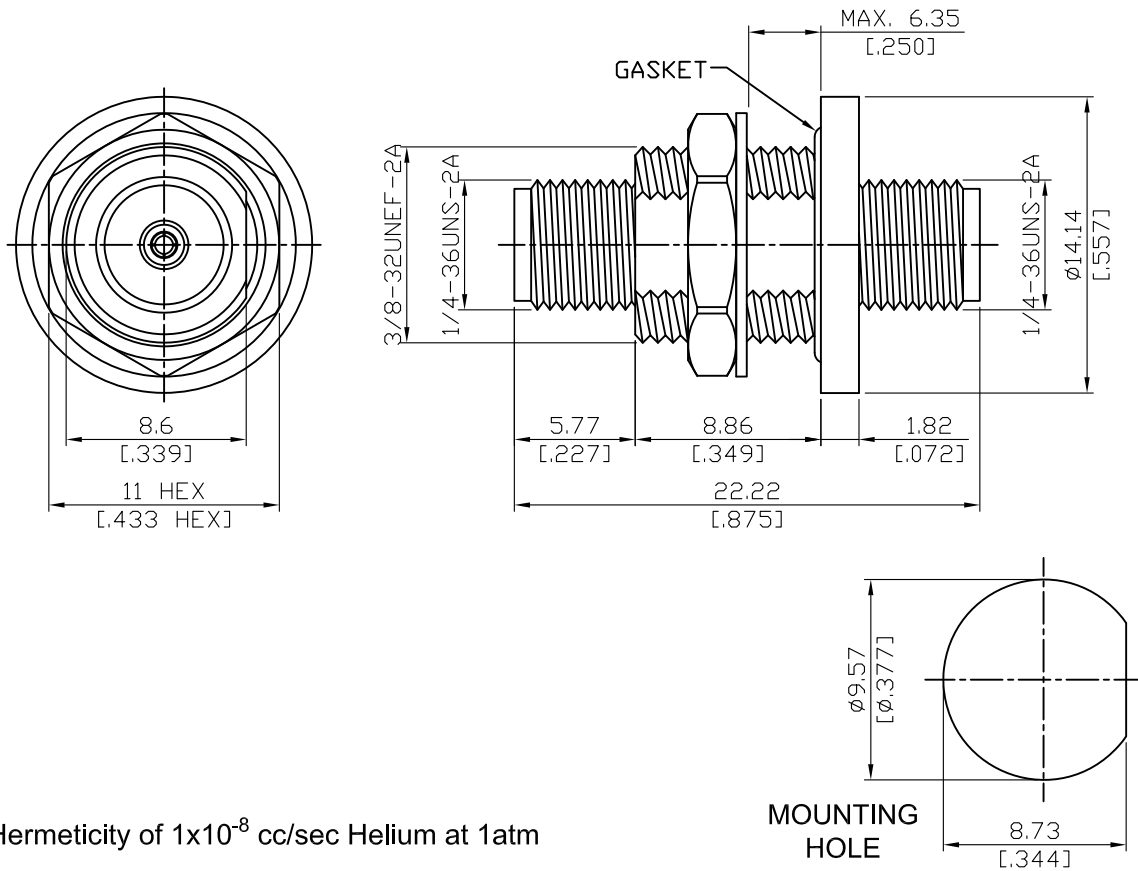


ADS-K8K8-BF-GB

Hermetic 1×10^{-8} cc/sec of helium at 1atm
2.92mm jack to 2.92mm jack bulkhead, 40GHz VSWR 1.35

50Ω

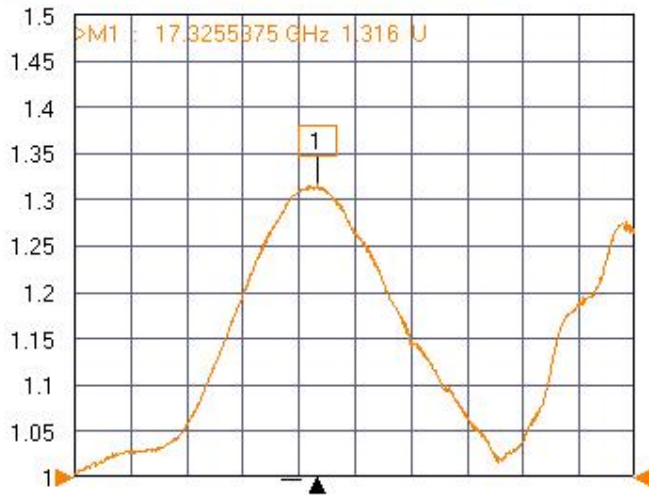


Parts	Material	Plating (Micro-inch)
Hex Nut	Stainless Steel	Passivated
Lock Washer	Stainless Steel	Passivated
Gasket	VITON	
Glass Seal	Kovar+Glass	Gold 4 Over Nickel-Phosphorus Alloy 80 Over Copper 20
Contact Pin	Beryllium Copper	Gold 4 Over Nickel-Phosphorus Alloy 80 Over Copper 20
Insulator	PEI	
Flange Body	Stainless Steel	Gold 5 over Nickel 50
Body	Stainless Steel	Passivated

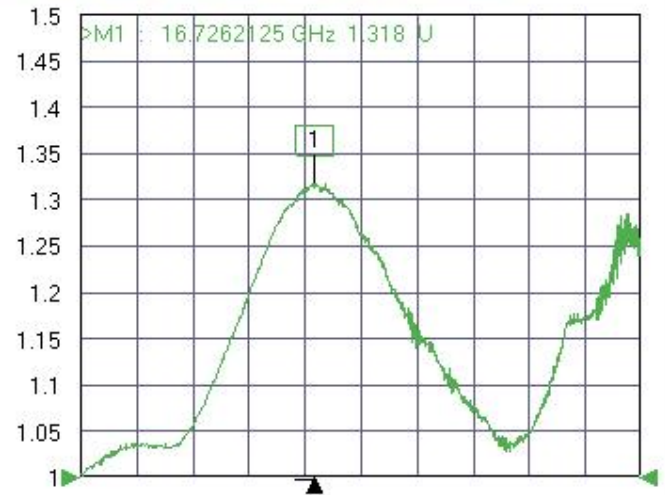
<p>ADS-K8K8-BF-GB</p>	<p>Hermetic 1*10-8/ cc/sec of helium at 1atm 2.92mm jack to 2.92mm jack bulkhead, 40GHz VSWR 1.35</p>																		
<table border="0"> <tr> <td colspan="2" data-bbox="129 342 531 394"> <p>Interface</p> </td> </tr> <tr> <td data-bbox="129 400 778 488"> <p>Standard Mechanically compatible with</p> </td> <td data-bbox="794 400 1481 488"> <p>MIL-STD-348B 3.5 & SMA</p> </td> </tr> </table>		<p>Interface</p>		<p>Standard Mechanically compatible with</p>	<p>MIL-STD-348B 3.5 & SMA</p>														
<p>Interface</p>																			
<p>Standard Mechanically compatible with</p>	<p>MIL-STD-348B 3.5 & SMA</p>																		
<table border="0"> <tr> <td colspan="2" data-bbox="129 602 531 654"> <p>Electrical Data</p> </td> </tr> <tr> <td data-bbox="129 660 778 698"> <p>Impedance</p> </td> <td data-bbox="794 660 1481 698"> <p>50Ω</p> </td> </tr> <tr> <td data-bbox="129 705 778 743"> <p>Frequency Range</p> </td> <td data-bbox="794 705 1481 743"> <p>DC to 40GHz</p> </td> </tr> <tr> <td data-bbox="129 750 778 788"> <p>VSWR</p> </td> <td data-bbox="794 750 1481 788"> <p>≤ 1.35 (DC To 40GHz)</p> </td> </tr> <tr> <td data-bbox="129 795 778 833"> <p>Insertion Loss</p> </td> <td data-bbox="794 795 1481 833"> <p>≤ 0.08 x √f(GHz) dB</p> </td> </tr> <tr> <td data-bbox="129 840 778 878"> <p>Insulation Resistance</p> </td> <td data-bbox="794 840 1481 878"> <p>≥ 5000MΩ</p> </td> </tr> <tr> <td data-bbox="129 884 778 922"> <p>Dielectric Withstanding Voltage (at sea level)</p> </td> <td data-bbox="794 884 1481 922"> <p>750 V rms</p> </td> </tr> <tr> <td data-bbox="129 929 778 967"> <p>Working Voltage (at sea level)</p> </td> <td data-bbox="794 929 1481 967"> <p>250 V rms</p> </td> </tr> <tr> <td data-bbox="129 974 778 1012"> <p>RF Leakage</p> </td> <td data-bbox="794 974 1481 1012"> <p>≥ 100dB to 1GHz</p> </td> </tr> </table>		<p>Electrical Data</p>		<p>Impedance</p>	<p>50Ω</p>	<p>Frequency Range</p>	<p>DC to 40GHz</p>	<p>VSWR</p>	<p>≤ 1.35 (DC To 40GHz)</p>	<p>Insertion Loss</p>	<p>≤ 0.08 x √f(GHz) dB</p>	<p>Insulation Resistance</p>	<p>≥ 5000MΩ</p>	<p>Dielectric Withstanding Voltage (at sea level)</p>	<p>750 V rms</p>	<p>Working Voltage (at sea level)</p>	<p>250 V rms</p>	<p>RF Leakage</p>	<p>≥ 100dB to 1GHz</p>
<p>Electrical Data</p>																			
<p>Impedance</p>	<p>50Ω</p>																		
<p>Frequency Range</p>	<p>DC to 40GHz</p>																		
<p>VSWR</p>	<p>≤ 1.35 (DC To 40GHz)</p>																		
<p>Insertion Loss</p>	<p>≤ 0.08 x √f(GHz) dB</p>																		
<p>Insulation Resistance</p>	<p>≥ 5000MΩ</p>																		
<p>Dielectric Withstanding Voltage (at sea level)</p>	<p>750 V rms</p>																		
<p>Working Voltage (at sea level)</p>	<p>250 V rms</p>																		
<p>RF Leakage</p>	<p>≥ 100dB to 1GHz</p>																		
<table border="0"> <tr> <td colspan="2" data-bbox="129 1151 531 1202"> <p>Mechanical Data</p> </td> </tr> <tr> <td data-bbox="129 1209 778 1247"> <p>Recommended Coupling Nut Torque</p> </td> <td data-bbox="794 1209 1481 1247"> <p>11.47 in-lbs</p> </td> </tr> <tr> <td data-bbox="129 1254 778 1292"> <p>Coupling Proof Torque</p> </td> <td data-bbox="794 1254 1481 1292"> <p>15 in-lbs</p> </td> </tr> <tr> <td data-bbox="129 1299 778 1337"> <p>Contact Captivation-axial</p> </td> <td data-bbox="794 1299 1481 1337"> <p>≥ 4.9 lbs</p> </td> </tr> <tr> <td data-bbox="129 1344 778 1382"> <p>Durability (mating)</p> </td> <td data-bbox="794 1344 1481 1382"> <p>≥ 500</p> </td> </tr> </table>		<p>Mechanical Data</p>		<p>Recommended Coupling Nut Torque</p>	<p>11.47 in-lbs</p>	<p>Coupling Proof Torque</p>	<p>15 in-lbs</p>	<p>Contact Captivation-axial</p>	<p>≥ 4.9 lbs</p>	<p>Durability (mating)</p>	<p>≥ 500</p>								
<p>Mechanical Data</p>																			
<p>Recommended Coupling Nut Torque</p>	<p>11.47 in-lbs</p>																		
<p>Coupling Proof Torque</p>	<p>15 in-lbs</p>																		
<p>Contact Captivation-axial</p>	<p>≥ 4.9 lbs</p>																		
<p>Durability (mating)</p>	<p>≥ 500</p>																		
<table border="0"> <tr> <td colspan="2" data-bbox="129 1503 531 1554"> <p>Environmental Data</p> </td> </tr> <tr> <td data-bbox="129 1561 778 1599"> <p>Temperature Range</p> </td> <td data-bbox="794 1561 1481 1599"> <p>-10°C to +165°C</p> </td> </tr> <tr> <td data-bbox="129 1606 778 1644"> <p>Thermal Shock</p> </td> <td data-bbox="794 1606 1481 1644"> <p>MIL-STD-202, Method 107, Condition B</p> </td> </tr> <tr> <td data-bbox="129 1650 778 1688"> <p>Moisture Resistance</p> </td> <td data-bbox="794 1650 1481 1688"> <p>MIL-STD-202, Method 206</p> </td> </tr> <tr> <td data-bbox="129 1695 778 1733"> <p>Corrosion</p> </td> <td data-bbox="794 1695 1481 1733"> <p>MIL-STD-202, Method 101, Condition B</p> </td> </tr> <tr> <td data-bbox="129 1740 778 1778"> <p>RoHS</p> </td> <td data-bbox="794 1740 1481 1778"> <p>Compliant</p> </td> </tr> </table>		<p>Environmental Data</p>		<p>Temperature Range</p>	<p>-10°C to +165°C</p>	<p>Thermal Shock</p>	<p>MIL-STD-202, Method 107, Condition B</p>	<p>Moisture Resistance</p>	<p>MIL-STD-202, Method 206</p>	<p>Corrosion</p>	<p>MIL-STD-202, Method 101, Condition B</p>	<p>RoHS</p>	<p>Compliant</p>						
<p>Environmental Data</p>																			
<p>Temperature Range</p>	<p>-10°C to +165°C</p>																		
<p>Thermal Shock</p>	<p>MIL-STD-202, Method 107, Condition B</p>																		
<p>Moisture Resistance</p>	<p>MIL-STD-202, Method 206</p>																		
<p>Corrosion</p>	<p>MIL-STD-202, Method 101, Condition B</p>																		
<p>RoHS</p>	<p>Compliant</p>																		

ADS-K8K8-BF-GB

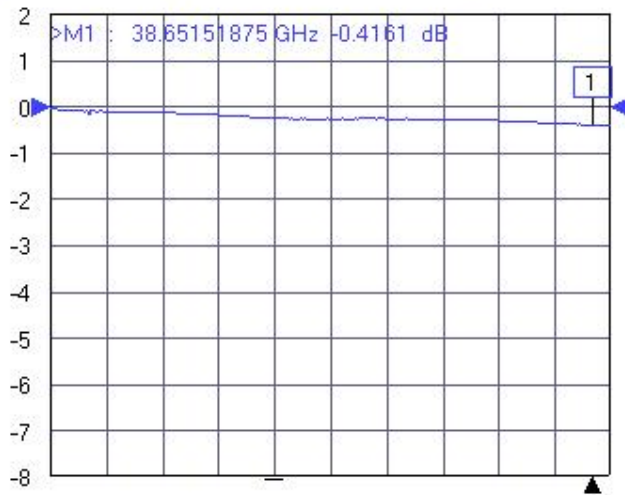
Tr1 S11 Refl SWR RefLvl: 1 U Res: 50 mU/Div



Tr2 S22 Refl SWR RefLvl: 1 U Res: 50 mU/Div



Tr3 S21 Trans LogM RefLvl: 0 dB Res: 1 dB/Div



Tr4 S12 Trans LogM RefLvl: 0 dB Res: 1 dB/Div

