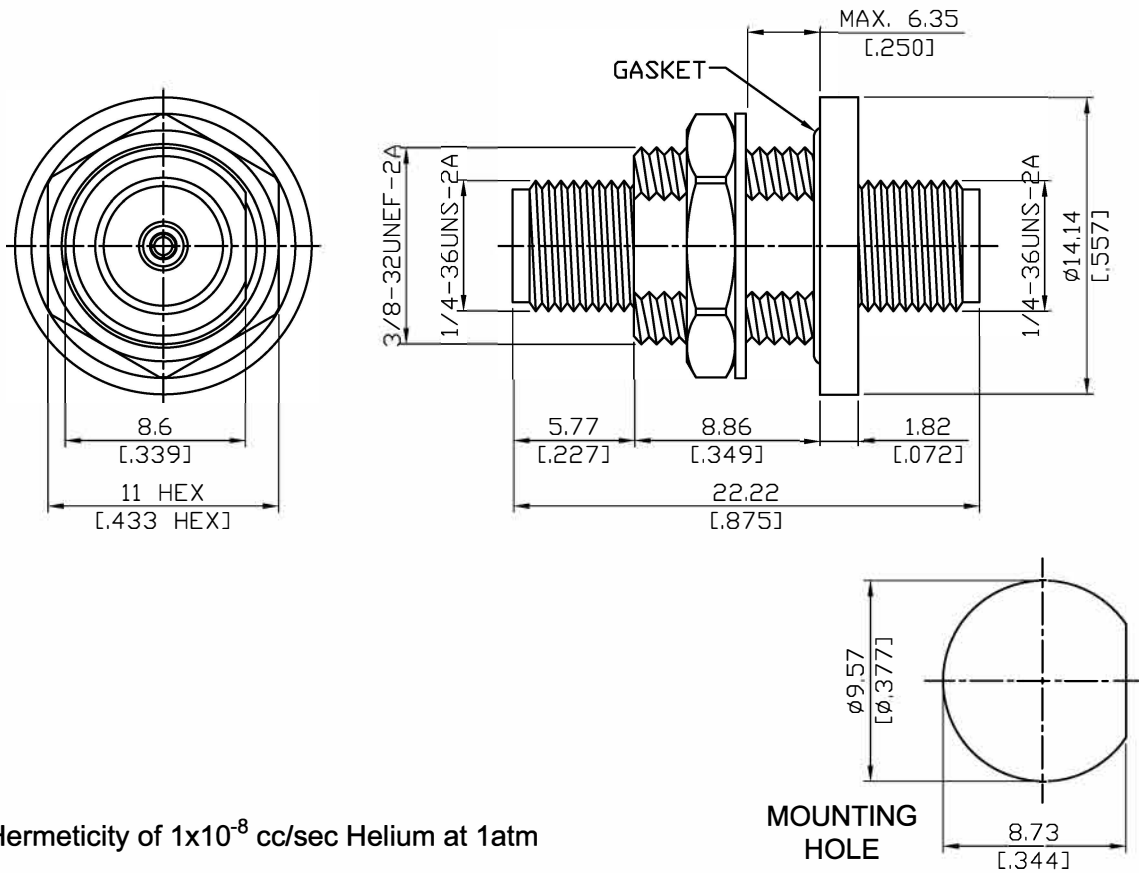


ADS-K8K8-BF-GB-1.25

Hermetic  $1 \times 10^{-8}$  cc/sec of helium at 1atm  
2.92mm jack to 2.92mm jack bulkhead, 40GHz VSWR 1.25

50Ω



Parts	Material	Plating ( Micro-inch )
Hex Nut	Stainless Steel	Passivated
Lock Washer	Stainless Steel	Passivated
Gasket	VITON	
Glass Seal	Kovar+Glass	Gold 4 Over Nickel-Phosphorus Alloy 80 Over Copper 20
Contact Pin	Beryllium Copper	Gold 4 Over Nickel-Phosphorus Alloy 80 Over Copper 20
Insulator	PEI	
Flange Body	Stainless Steel	Gold 5 over Nickel 50
Body	Stainless Steel	Passivated

This part number complies with RoHS.

Notice: JYEBAO reserves the right to make modifications deemed appropriate.

ADS-K8K8-BF-GB-1.25	Hermetic 1*10 <sup>-8</sup> cc/sec of helium at 1atm 2.92mm jack to 2.92mm jack bulkhead, 40GHz VSWR 1.25																		
<table border="0"> <tr> <td colspan="2" data-bbox="129 344 531 394"><b>Interface</b></td> </tr> <tr> <td data-bbox="129 405 778 439">Standard</td> <td data-bbox="794 405 1011 439">MIL-STD-348B</td> </tr> <tr> <td data-bbox="129 450 778 483">Mechanically compatible with</td> <td data-bbox="794 450 954 483">3.5 &amp; SMA</td> </tr> </table>		<b>Interface</b>		Standard	MIL-STD-348B	Mechanically compatible with	3.5 & SMA												
<b>Interface</b>																			
Standard	MIL-STD-348B																		
Mechanically compatible with	3.5 & SMA																		
<table border="0"> <tr> <td colspan="2" data-bbox="129 607 531 656"><b>Electrical Data</b></td> </tr> <tr> <td data-bbox="129 667 778 701">Impedance</td> <td data-bbox="794 667 858 701">50Ω</td> </tr> <tr> <td data-bbox="129 712 778 745">Frequency Range</td> <td data-bbox="794 712 991 745">DC to 40GHz</td> </tr> <tr> <td data-bbox="129 757 778 790">VSWR</td> <td data-bbox="794 757 1126 790">≤ 1.25 (DC To 40GHz)</td> </tr> <tr> <td data-bbox="129 801 778 835">Insertion Loss</td> <td data-bbox="794 801 1086 835">≤ 0.08 x √f(GHz) dB</td> </tr> <tr> <td data-bbox="129 846 778 880">Insulation Resistance</td> <td data-bbox="794 846 954 880">≥ 5000MΩ</td> </tr> <tr> <td data-bbox="129 902 778 936">Dielectric Withstanding Voltage (at sea level)</td> <td data-bbox="794 902 943 936">750 V rms</td> </tr> <tr> <td data-bbox="129 947 778 981">Working Voltage (at sea level)</td> <td data-bbox="794 947 943 981">250 V rms</td> </tr> <tr> <td data-bbox="129 992 778 1025">RF Leakage</td> <td data-bbox="794 992 1050 1025">≥ 100dB to 1GHz</td> </tr> </table>		<b>Electrical Data</b>		Impedance	50Ω	Frequency Range	DC to 40GHz	VSWR	≤ 1.25 (DC To 40GHz)	Insertion Loss	≤ 0.08 x √f(GHz) dB	Insulation Resistance	≥ 5000MΩ	Dielectric Withstanding Voltage (at sea level)	750 V rms	Working Voltage (at sea level)	250 V rms	RF Leakage	≥ 100dB to 1GHz
<b>Electrical Data</b>																			
Impedance	50Ω																		
Frequency Range	DC to 40GHz																		
VSWR	≤ 1.25 (DC To 40GHz)																		
Insertion Loss	≤ 0.08 x √f(GHz) dB																		
Insulation Resistance	≥ 5000MΩ																		
Dielectric Withstanding Voltage (at sea level)	750 V rms																		
Working Voltage (at sea level)	250 V rms																		
RF Leakage	≥ 100dB to 1GHz																		
<table border="0"> <tr> <td colspan="2" data-bbox="129 1155 531 1205"><b>Mechanical Data</b></td> </tr> <tr> <td data-bbox="129 1216 778 1249">Recommended Coupling Nut Torque</td> <td data-bbox="794 1216 963 1249">11.47 in-lbs</td> </tr> <tr> <td data-bbox="129 1261 778 1294">Coupling Proof Torque</td> <td data-bbox="794 1261 922 1294">15 in-lbs</td> </tr> <tr> <td data-bbox="129 1305 778 1339">Contact Captivation-axial</td> <td data-bbox="794 1305 927 1339">≥ 4.9 lbs</td> </tr> <tr> <td data-bbox="129 1350 778 1384">Durability (mating)</td> <td data-bbox="794 1350 884 1384">≥ 500</td> </tr> </table>		<b>Mechanical Data</b>		Recommended Coupling Nut Torque	11.47 in-lbs	Coupling Proof Torque	15 in-lbs	Contact Captivation-axial	≥ 4.9 lbs	Durability (mating)	≥ 500								
<b>Mechanical Data</b>																			
Recommended Coupling Nut Torque	11.47 in-lbs																		
Coupling Proof Torque	15 in-lbs																		
Contact Captivation-axial	≥ 4.9 lbs																		
Durability (mating)	≥ 500																		
<table border="0"> <tr> <td colspan="2" data-bbox="129 1507 531 1556"><b>Environmental Data</b></td> </tr> <tr> <td data-bbox="129 1568 778 1601">Temperature Range</td> <td data-bbox="794 1568 1034 1601">-10°C to +165°C</td> </tr> <tr> <td data-bbox="129 1612 778 1646">Thermal Shock</td> <td data-bbox="794 1612 1362 1646">MIL-STD-202, Method 107, Condition B</td> </tr> <tr> <td data-bbox="129 1657 778 1691">Moisture Resistance</td> <td data-bbox="794 1657 1177 1691">MIL-STD-202, Method 206</td> </tr> <tr> <td data-bbox="129 1702 778 1736">Corrosion</td> <td data-bbox="794 1702 1362 1736">MIL-STD-202, Method 101, Condition B</td> </tr> <tr> <td data-bbox="129 1747 778 1780">RoHS</td> <td data-bbox="794 1747 943 1780">Compliant</td> </tr> </table>		<b>Environmental Data</b>		Temperature Range	-10°C to +165°C	Thermal Shock	MIL-STD-202, Method 107, Condition B	Moisture Resistance	MIL-STD-202, Method 206	Corrosion	MIL-STD-202, Method 101, Condition B	RoHS	Compliant						
<b>Environmental Data</b>																			
Temperature Range	-10°C to +165°C																		
Thermal Shock	MIL-STD-202, Method 107, Condition B																		
Moisture Resistance	MIL-STD-202, Method 206																		
Corrosion	MIL-STD-202, Method 101, Condition B																		
RoHS	Compliant																		

Notice: JYEBAO reserves the right to make modifications deemed appropriate.

# ADS-K8K8-BF-GB-1.25

