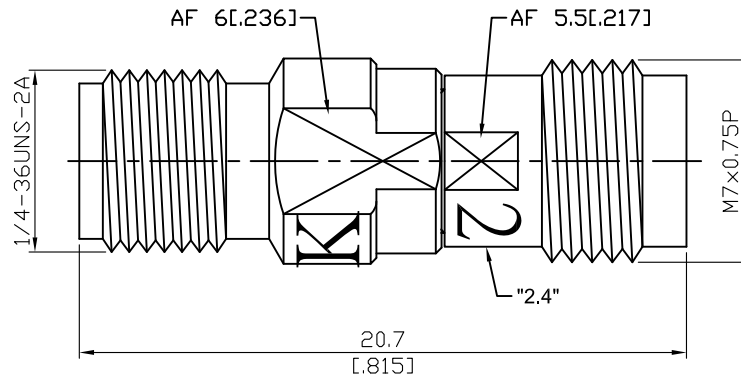


ADS-K8-2.4/8-1.25

2.92mm Jack To 2.4mm Jack  
40GHz VSWR 1.25

50Ω



Parts	Material	Plating ( Micro-inch )
Contact Pin	Beryllium Copper	Gold 4 Over Nickel-Phosphorus Alloy 80 Over Copper 20
Insulator	PPO	
Body	Stainless Steel	Passivated

--	--

This part number complies with RoHS.

Notice: JYEBAO reserves the right to make modifications deemed appropriate.

ADS-K8-2.4/8-1.25	2.92mm Jack To 2.4mm Jack 40GHz VSWR 1.25	
<b>Interface</b> Standard Mechanically compatible with	2.4 MIL-STD-348B 1.85	2.92 MIL-STD-348B SMA & 3.5
<b>Electrical Data</b> Impedance Frequency Range VSWR Insertion Loss Insulation Resistance Dielectric Withstanding Voltage (at sea level) Working Voltage (at sea level) RF leakage	50Ω DC To 40GHz ≤ 1.25 (DC To 40GHz) ≤ 0.05 x √f(GHz) dB ≥ 5000MΩ 500 V rms 150 V rms ≥ 100dB to 1GHz	
<b>Mechanical Data</b> Recommended Coupling Nut Torque Coupling Proof Torque Contact Captivation-axial Durability (mating)	2.4 7.08 to 9.74 in-lbs 15 in-lbs ≥ 4.5 lbs ≥ 500	2.92 11.47 in-lbs 15 in-lbs ≥ 4.9 lbs ≥ 500
<b>Environmental Data</b> Temperature Range Thermal Shock Moisture Resistance Corrosion RoHS	-55°C to +105°C MIL-STD-202, Method 107, Condition B MIL-STD-202, Method 206 MIL-STD-202, Method 101, Condition B Compliant	

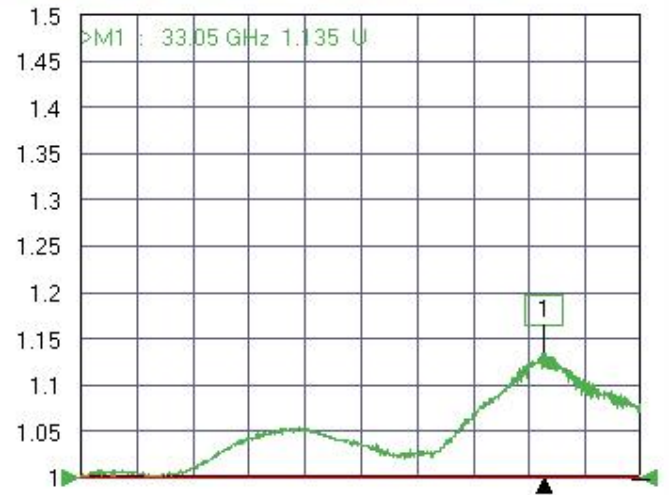
Notice: JYEBAO reserves the right to make modifications deemed appropriate.

# ADS-K8-2.4/8-1.25

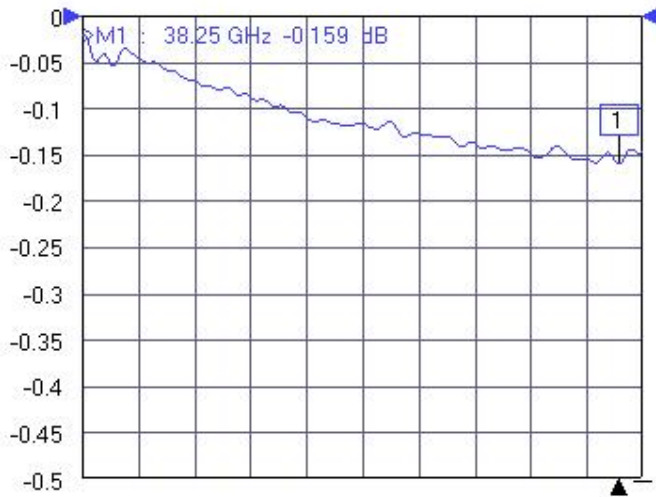
Tr1 S11 Refl SWR RefLvl: 1 U Res: 50 mU/Div



Tr2 S22 Refl SWR RefLvl: 1 U Res: 50 mU/Div



Tr3 S21 Trans LogM RefLvl: 0 dB Res: 0.05 dB/Div



Tr4 S12 Trans LogM RefLvl: 0 dB Res: 0.05 dB/Div

