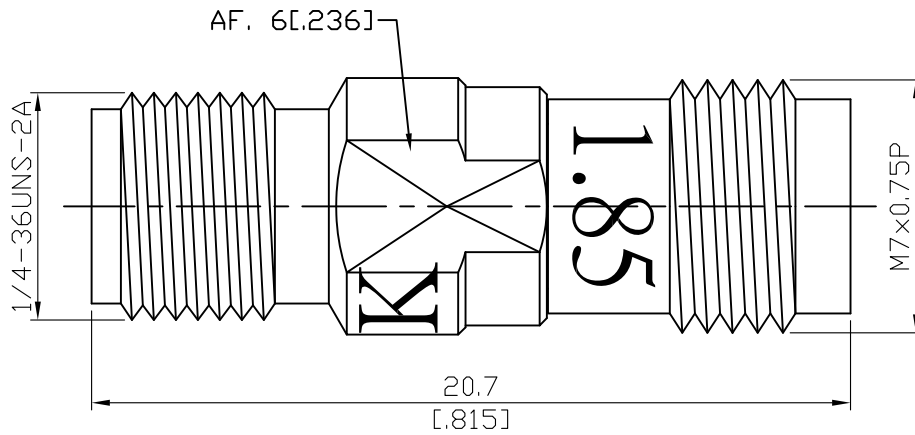


ADS-K8-1.85/8-1.15

2.92mm Jack To 1.85mm Jack  
40GHz VSWR 1.15

50Ω



Parts	Material	Plating ( Micro-inch )
Contact Pin	Beryllium Copper	Gold 4 Over Nickel-Phosphorus Alloy 80 Over Copper 20
Insulator	PPO	
Body	Stainless Steel	Passivated

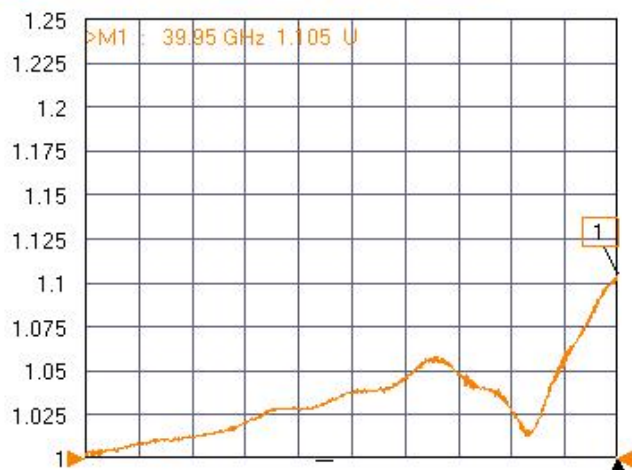
This part number complies with RoHS.

Notice: JYEBAO reserves the right to make modifications deemed appropriate.

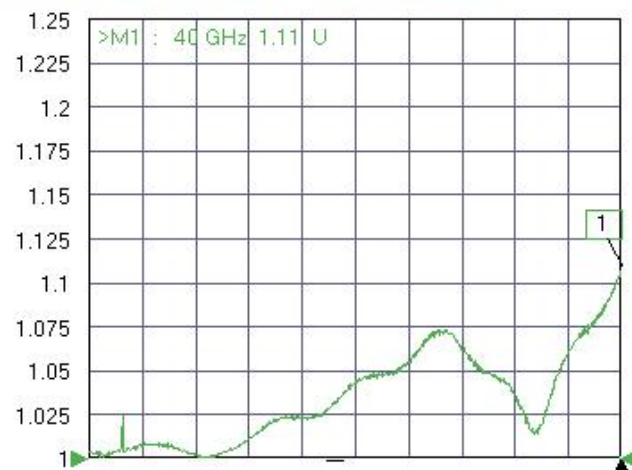
ADS-K8-1.85/8-1.15	2.92mm Jack To 1.85mm Jack 40GHz VSWR 1.15											
<b>Interface</b> Standard Mechanically compatible with	<table border="1"> <thead> <tr> <th>1.85</th> <th>2.92</th> </tr> </thead> <tbody> <tr> <td>IEEE287; IEC61169-32</td> <td>MIL-STD-348B</td> </tr> <tr> <td>2.4</td> <td>SMA &amp; 3.5</td> </tr> </tbody> </table>	1.85	2.92	IEEE287; IEC61169-32	MIL-STD-348B	2.4	SMA & 3.5					
1.85	2.92											
IEEE287; IEC61169-32	MIL-STD-348B											
2.4	SMA & 3.5											
<b>Electrical Data</b> Impedance Frequency Range VSWR Insertion Loss Insulation Resistance Dielectric Withstanding Voltage (at sea level) Working Voltage (at sea level) RF leakage	<table border="1"> <tbody> <tr> <td>50Ω</td> </tr> <tr> <td>DC To 40GHz</td> </tr> <tr> <td>≤ 1.15 (DC To 40GHz)</td> </tr> <tr> <td>≤ 0.05 x √f(GHz) dB</td> </tr> <tr> <td>≥ 5000MΩ</td> </tr> <tr> <td>500 V rms</td> </tr> <tr> <td>150 V rms</td> </tr> <tr> <td>≥ 100dB to 1GHz</td> </tr> </tbody> </table>		50Ω	DC To 40GHz	≤ 1.15 (DC To 40GHz)	≤ 0.05 x √f(GHz) dB	≥ 5000MΩ	500 V rms	150 V rms	≥ 100dB to 1GHz		
50Ω												
DC To 40GHz												
≤ 1.15 (DC To 40GHz)												
≤ 0.05 x √f(GHz) dB												
≥ 5000MΩ												
500 V rms												
150 V rms												
≥ 100dB to 1GHz												
<b>Mechanical Data</b> Recommended Coupling Nut Torque Coupling Proof Torque Contact Captivation-axial Durability (mating)	<table border="1"> <thead> <tr> <th>1.85</th> <th>2.92</th> </tr> </thead> <tbody> <tr> <td>7.08 to 9.74 in-lbs</td> <td>11.47 in-lbs</td> </tr> <tr> <td>15 in-lbs</td> <td>15 in-lbs</td> </tr> <tr> <td>≥ 4.5 lbs</td> <td>≥ 4.9 lbs</td> </tr> <tr> <td>≥ 500</td> <td>≥ 500</td> </tr> </tbody> </table>		1.85	2.92	7.08 to 9.74 in-lbs	11.47 in-lbs	15 in-lbs	15 in-lbs	≥ 4.5 lbs	≥ 4.9 lbs	≥ 500	≥ 500
1.85	2.92											
7.08 to 9.74 in-lbs	11.47 in-lbs											
15 in-lbs	15 in-lbs											
≥ 4.5 lbs	≥ 4.9 lbs											
≥ 500	≥ 500											
<b>Environmental Data</b> Temperature Range Thermal Shock Moisture Resistance Corrosion RoHS	<table border="1"> <tbody> <tr> <td>-55°C to +105°C</td> </tr> <tr> <td>MIL-STD-202, Method 107, Condition B</td> </tr> <tr> <td>MIL-STD-202, Method 206</td> </tr> <tr> <td>MIL-STD-202, Method 101, Condition B</td> </tr> <tr> <td>Compliant</td> </tr> </tbody> </table>		-55°C to +105°C	MIL-STD-202, Method 107, Condition B	MIL-STD-202, Method 206	MIL-STD-202, Method 101, Condition B	Compliant					
-55°C to +105°C												
MIL-STD-202, Method 107, Condition B												
MIL-STD-202, Method 206												
MIL-STD-202, Method 101, Condition B												
Compliant												

# ADS-K8-1.85/8-1.15

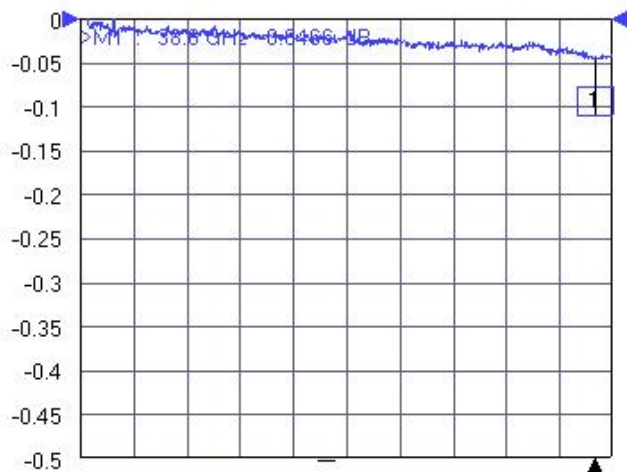
Tr1 S11 Refl SWR RefLvl: 1 U Res: 25 mU/Div



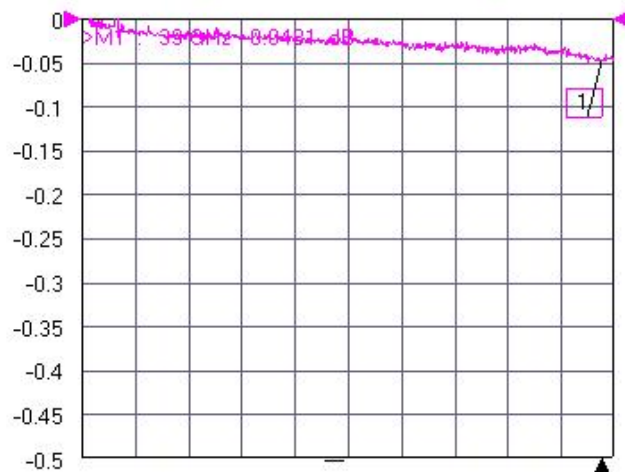
Tr2 S22 Refl SWR RefLvl: 1 U Res: 25 mU/Div



Tr3 S12 Trans LogM RefLvl: 0 dB Res: 0.05 dB/Div



Tr4 S21 Trans LogM RefLvl: 0 dB Res: 0.05 dB/Div



Ch1 TR Start 50 MHz Stop 40 GHz IFBW 1 kHz Avg OFF Measuring State CORR