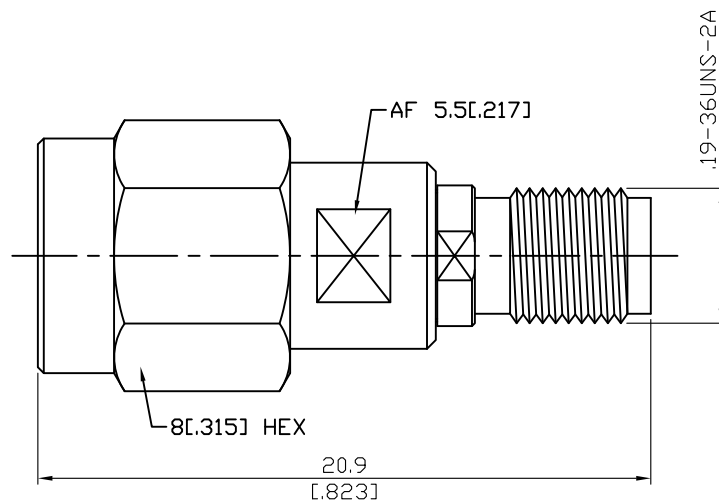


ADS-K3SA8-1.15	2.92mm Plug to SSMA Jack 40GHz VSWR 1.15	50Ω
----------------	---	-----



Parts	Material	Plating (Micro-inch)
Coupling Nut	Stainless Steel	Passivated
Body	Stainless Steel	Passivated
Insulator (2.92)	PEI	
Contact Pin	Beryllium Copper	Gold 4 Over Nickel-Phosphorus Alloy 80 Over Copper 20
Gasket	Silicone	
Retainer Ring	Beryllium Copper	Tin-Zinc-Copper-Alloy 100 Over Copper 50
Insulator (SSMA)	PTFE	

--	--

This part number complies with RoHS.

Notice: JYEBAO reserves the right to make modifications deemed appropriate.

ADS-K3SA8-1.15	2.92mm Plug to SSMA Jack 40GHz VSWR 1.15															
<div style="border: 1px solid black; padding: 2px; margin-bottom: 5px;">Interface</div> Standard Mechanically compatible with	<table border="1" style="width: 100%; border-collapse: collapse;"> <thead> <tr> <th style="width: 50%; text-align: center;">2.92</th> <th style="width: 50%; text-align: center;">SSMA</th> </tr> </thead> <tbody> <tr> <td style="text-align: center;">MIL-STD-348B</td> <td style="text-align: center;">MIL-STD-348B</td> </tr> <tr> <td style="text-align: center;">3.5 & SMA</td> <td></td> </tr> </tbody> </table>	2.92	SSMA	MIL-STD-348B	MIL-STD-348B	3.5 & SMA										
2.92	SSMA															
MIL-STD-348B	MIL-STD-348B															
3.5 & SMA																
<div style="border: 1px solid black; padding: 2px; margin-bottom: 5px;">Electrical Data</div> Impedance Frequency Range VSWR Insertion Loss Insulation Resistance Dielectric Withstanding Voltage (at sea level) Working Voltage (at sea level)	<table style="width: 100%;"> <tr> <td style="width: 50%;">Impedance</td> <td style="width: 50%;">50Ω</td> </tr> <tr> <td>Frequency Range</td> <td>DC To 40GHz</td> </tr> <tr> <td>VSWR</td> <td>≤ 1.15 (DC To 40GHz)</td> </tr> <tr> <td>Insertion Loss</td> <td>≤ 0.05 x √f(GHz) dB</td> </tr> <tr> <td>Insulation Resistance</td> <td>≥ 5000MΩ</td> </tr> <tr> <td>Dielectric Withstanding Voltage (at sea level)</td> <td>750 V rms</td> </tr> <tr> <td>Working Voltage (at sea level)</td> <td>250 V rms</td> </tr> </table>		Impedance	50Ω	Frequency Range	DC To 40GHz	VSWR	≤ 1.15 (DC To 40GHz)	Insertion Loss	≤ 0.05 x √f(GHz) dB	Insulation Resistance	≥ 5000MΩ	Dielectric Withstanding Voltage (at sea level)	750 V rms	Working Voltage (at sea level)	250 V rms
Impedance	50Ω															
Frequency Range	DC To 40GHz															
VSWR	≤ 1.15 (DC To 40GHz)															
Insertion Loss	≤ 0.05 x √f(GHz) dB															
Insulation Resistance	≥ 5000MΩ															
Dielectric Withstanding Voltage (at sea level)	750 V rms															
Working Voltage (at sea level)	250 V rms															
<div style="border: 1px solid black; padding: 2px; margin-bottom: 5px;">Mechanical Data</div> Recommended Coupling Nut Torque Coupling Proof Torque Contact Captivation-axial Durability (mating)	<table border="1" style="width: 100%; border-collapse: collapse;"> <thead> <tr> <th style="width: 50%; text-align: center;">2.92</th> <th style="width: 50%; text-align: center;">SSMA</th> </tr> </thead> <tbody> <tr> <td style="text-align: center;">11.47 in-lbs</td> <td style="text-align: center;">4 in-lbs</td> </tr> <tr> <td style="text-align: center;">15 in-lbs</td> <td style="text-align: center;">5 in-lbs</td> </tr> <tr> <td style="text-align: center;">≥ 4.9 lbs</td> <td style="text-align: center;">≥ 5 lbs</td> </tr> <tr> <td style="text-align: center;">≥ 500</td> <td style="text-align: center;">≥ 500</td> </tr> </tbody> </table>		2.92	SSMA	11.47 in-lbs	4 in-lbs	15 in-lbs	5 in-lbs	≥ 4.9 lbs	≥ 5 lbs	≥ 500	≥ 500				
2.92	SSMA															
11.47 in-lbs	4 in-lbs															
15 in-lbs	5 in-lbs															
≥ 4.9 lbs	≥ 5 lbs															
≥ 500	≥ 500															
<div style="border: 1px solid black; padding: 2px; margin-bottom: 5px;">Environmental Data</div> Temperature Range Thermal Shock Moisture Resistance Corrosion RoHS	<table style="width: 100%;"> <tr> <td style="width: 50%;">Temperature Range</td> <td style="width: 50%;">-40°C to +165°C</td> </tr> <tr> <td>Thermal Shock</td> <td>MIL-STD-202, Method 107, Condition B</td> </tr> <tr> <td>Moisture Resistance</td> <td>MIL-STD-202, Method 206</td> </tr> <tr> <td>Corrosion</td> <td>MIL-STD-202, Method 101, Condition B</td> </tr> <tr> <td>RoHS</td> <td>Compliant</td> </tr> </table>		Temperature Range	-40°C to +165°C	Thermal Shock	MIL-STD-202, Method 107, Condition B	Moisture Resistance	MIL-STD-202, Method 206	Corrosion	MIL-STD-202, Method 101, Condition B	RoHS	Compliant				
Temperature Range	-40°C to +165°C															
Thermal Shock	MIL-STD-202, Method 107, Condition B															
Moisture Resistance	MIL-STD-202, Method 206															
Corrosion	MIL-STD-202, Method 101, Condition B															
RoHS	Compliant															