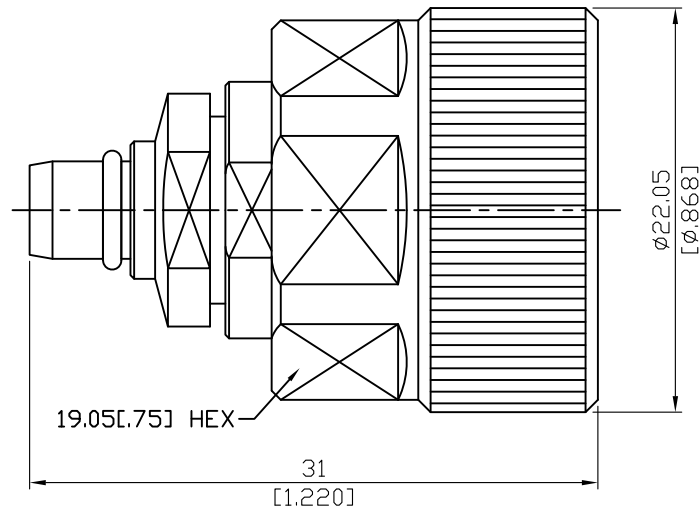


ADS-J3PC7	BMA Plug to 7mm 18GHz VSWR 1.15	50Ω
-----------	------------------------------------	-----



Parts	Material	Plating (Micro-inch)
Coupling Nut	Stainless Steel	Passivated
Body	Stainless Steel	Passivated
Insulator (7mm)	PPO	
Insulator (BMA)	Teflon	
Contact Pin	Beryllium Copper	Gold 4 Over Nickel-Phosphorus Alloy 80 Over Copper 20
Gasket	Silicone	

--	--

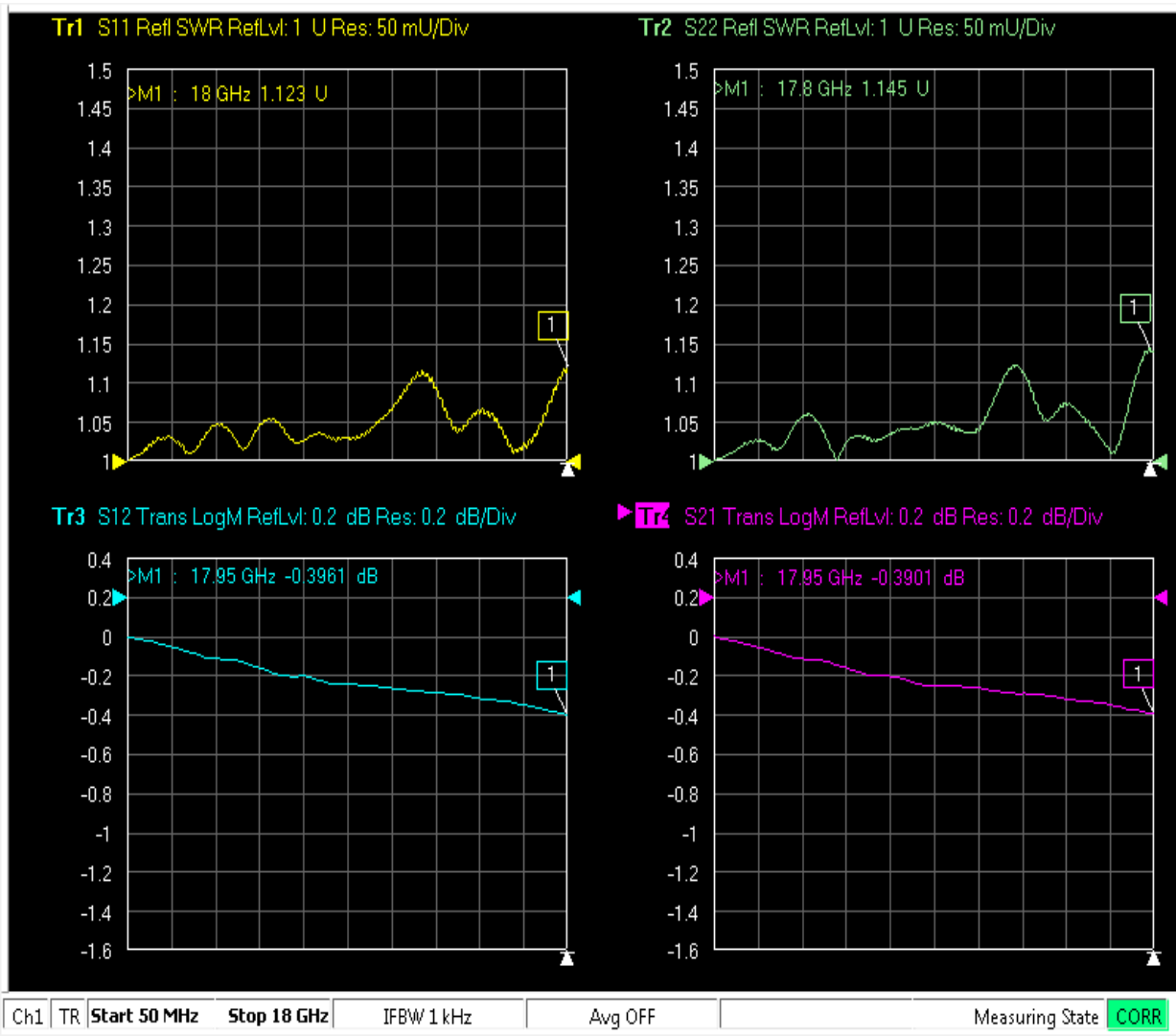
This part number complies with RoHS.

Notice: JYEBAO reserves the right to make modifications deemed appropriate.

ADS-J3PC7		BMA Plug to 7mm 18GHz VSWR 1.15	
<div style="border: 1px solid black; padding: 2px;">Interface</div>		BMA	7mm
Standard		MIL-STD-348B	IEC 457-2
<div style="border: 1px solid black; padding: 2px;">Electrical Data</div>			
Impedance	50Ω		
Frequency Range	DC To 18GHz		
VSWR	≤ 1.15 (DC To 18GHz)		
Insertion Loss	≤ 0.06 x √f(GHz) dB		
Insulation Resistance	≥ 5000MΩ		
Dielectric Withstanding Voltage (at sea level)	1500 V rms		
Working Voltage (at sea level)	1000 V rms		
<div style="border: 1px solid black; padding: 2px;">Mechanical Data</div>			
	BMA	7mm	
Recommended Coupling Nut Torque	NA	12 in-lbs	
Coupling proof torque	NA	17.2in-lbs	
Engagement Force	≤ 3 lbs	NA	
Disengagement Force	≤ 1.5 lbs	NA	
Contact Captivation-axial	≥ 6.1 lbs	≥ 6.3 lbs	
Durability (mating)	≥ 1000	≥ 5000	
<div style="border: 1px solid black; padding: 2px;">Environmental Data</div>			
Temperature Range	-55°C to +105°C		
Thermal Shock	MIL-STD-202, Method 107, Condition B		
Moisture Resistance	MIL-STD-202, Method 206		
Corrosion	MIL-STD-202, Method 101, Condition B		
RoHS	Compliant		

Notice: JYEBAO reserves the right to make modifications deemed appropriate.

ADS-J3PC7



Note: S11/S12/S21/S22 plots shown represent IL and VSWR of two adaptors tested. To extract IL of a single adaptor divide IL measured by two.