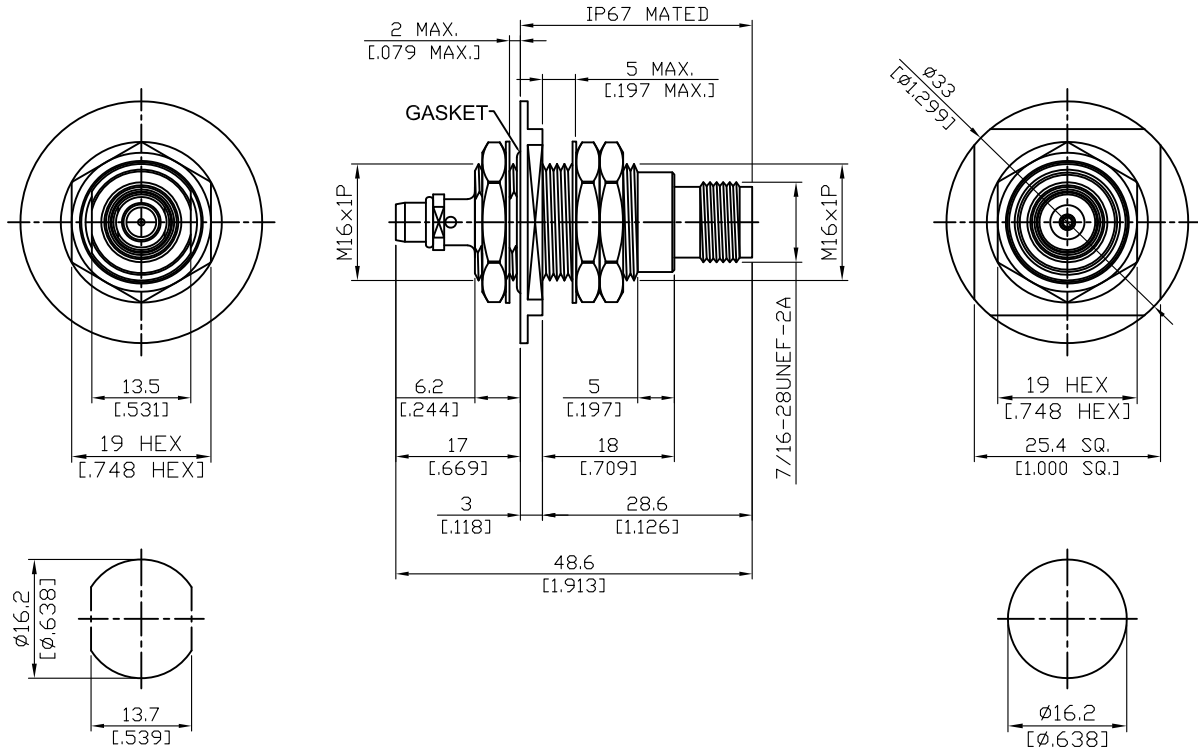


ADS-J3-BF/T8-BF

BMA Plug Bulkhead To TNC Jack Bulkhead
IP67 Mated, 11GH VSWR 1.2

50Ω



MOUNTING HOLE

MOUNTING HOLE

Parts	Material	Plating (Micro-inch)
Pin	Brass	
Hex Nut	Stainless Steel	Passivated
Lock Washer	Stainless Steel	Passivated
Gasket	Silicone	
Contact Pin	Beryllium Copper	Gold 4 Over Nickel-Phosphorus Alloy 80 Over Copper 20
Insulator	Teflon	
Body	Stainless Steel	Passivated

This part number complies with RoHS.

Notice: JYEBAO reserves the right to make modifications deemed appropriate.

ADS-J3-BF/T8-BF	BMA Plug Bulkhead To TNC Jack Bulkhead, IP67 Mated; 11GH VSWR 1.2															
Interface Standard	TNC MIL-STD-348B	BMA MIL-STD-348B														
Electrical Data Impedance Frequency Range VSWR Insertion Loss Insulation Resistance Dielectric Withstanding Voltage (at sea level) Working Voltage (at sea level)	50Ω DC To 11GHz ≤ 1.2 (DC To 11GHz) ≤ 0.1 x √f(GHz) dB ≥ 5000MΩ 1500 V rms 500 V rms															
Mechanical Data Recommended Coupling Nut Torque Coupling proof torque Engagement Force Disengagement Force Contact Captivation-axial Durability (mating)	<table border="1"> <thead> <tr> <th>TNC</th> <th>BMA</th> </tr> </thead> <tbody> <tr> <td>4.1 to 6.1 in-lbs</td> <td>NA</td> </tr> <tr> <td>15 inch lbs</td> <td>NA</td> </tr> <tr> <td>NA</td> <td>≤ 3 lbs</td> </tr> <tr> <td>NA</td> <td>≤ 1.5 lbs</td> </tr> <tr> <td>≥ 6.1 lbs</td> <td>≥ 6.1 lbs</td> </tr> <tr> <td>≥ 500</td> <td>≥ 1000</td> </tr> </tbody> </table>	TNC	BMA	4.1 to 6.1 in-lbs	NA	15 inch lbs	NA	NA	≤ 3 lbs	NA	≤ 1.5 lbs	≥ 6.1 lbs	≥ 6.1 lbs	≥ 500	≥ 1000	
TNC	BMA															
4.1 to 6.1 in-lbs	NA															
15 inch lbs	NA															
NA	≤ 3 lbs															
NA	≤ 1.5 lbs															
≥ 6.1 lbs	≥ 6.1 lbs															
≥ 500	≥ 1000															
Environmental Data Temperature Range Thermal Shock Moisture Resistance Corrosion RoHS	-65°C to +165°C MIL-STD-202, Method 107, Condition B MIL-STD-202, Method 206 MIL-STD-202, Method 101, Condition B Compliant															

Notice: JYEBAO reserves the right to make modifications deemed appropriate.