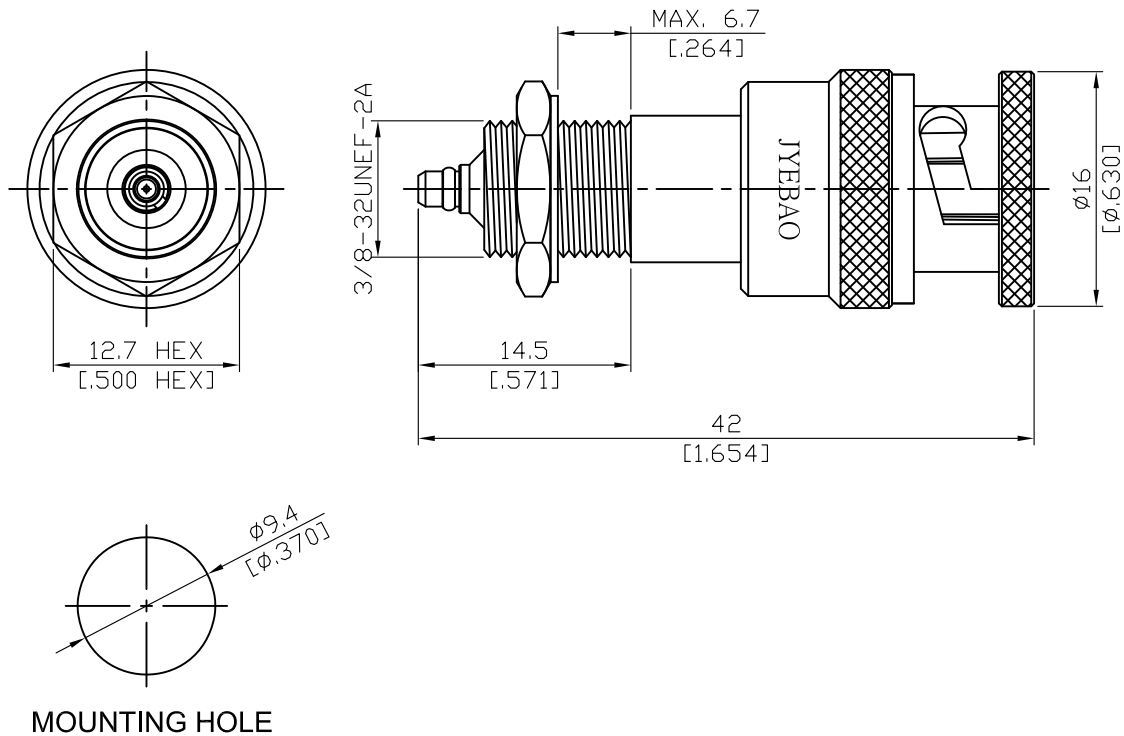


ADS-E3B3-BFA

BNC Plug To MMCX Plug Bulkhead;  
4GHz VSWR 1.2

50Ω



Parts	Material	Plating ( Micro-inch )
Coupling Nut	Stainless Steel	Passivated
Insulator	Teflon	
Retainer Ring	Beryllium Copper	Tin-Zinc-Copper-Alloy 100 Over Copper 50
Spring	SK5	Tin-Zinc-Copper-Alloy 100 Over Copper 50
Washer	Brass	Tin-Zinc-Copper-Alloy 100 Over Copper 50
Gasket	Silicone	
Body	Stainless Steel	Passivated
Contact Pin	Brass	Gold 4 Over Nickel-Phosphorus Alloy 80 Over Copper 20
Hex Nut	Brass	Tin-Zinc-Copper-Alloy 100 Over Copper 50

This part number complies with RoHS.

Notice: JYEBAO reserves the right to make modifications deemed appropriate.

ADS-E3B3-BFA		BNC Plug To MMCX Plug Bulkhead; 4GHz VSWR 1.2	
<b>Interface</b>		BNC	MMCX
Standard		MIL-STD-348B	IEC 61169-52
<b>Electrical Data</b>			
Impedance	50Ω		
Frequency Range	DC To 4GHz		
VSWR	≤ 1.2 (DC To 4GHz)		
Insertion Loss	≤ 0.05 x √f(GHz) dB		
Insulation Resistance	≥ 5000MΩ		
Dielectric Withstanding Voltage (at sea level)	500 V rms		
Working Voltage (at sea level)	170 V rms		
<b>Mechanical Data</b>			
	BNC	MMCX	
Recommended Coupling Nut Torque	0.6 to 2.5 in-lbs	NA	
Coupling Nut Retention Force	≥ 101.2 lbs	NA	
Engagement Force	NA	≤ 3.4 lbs	
Disengagement Force	NA	1.4 to 3.4 lbs	
Contact Captivation-axial	≥ 6.1 lbs	≥ 2.3 lbs	
Durability (mating)	≥ 500	≥ 500	
<b>Environmental Data</b>			
Temperature Range	-65°C to +165°C		
Thermal Shock	MIL-STD-202, Method 107, Condition B		
Moisture Resistance	MIL-STD-202, Method 206		
Corrosion	MIL-STD-202, Method 101, Condition B		
RoHS	Compliant		

Notice: JYEBAO reserves the right to make modifications deemed appropriate.