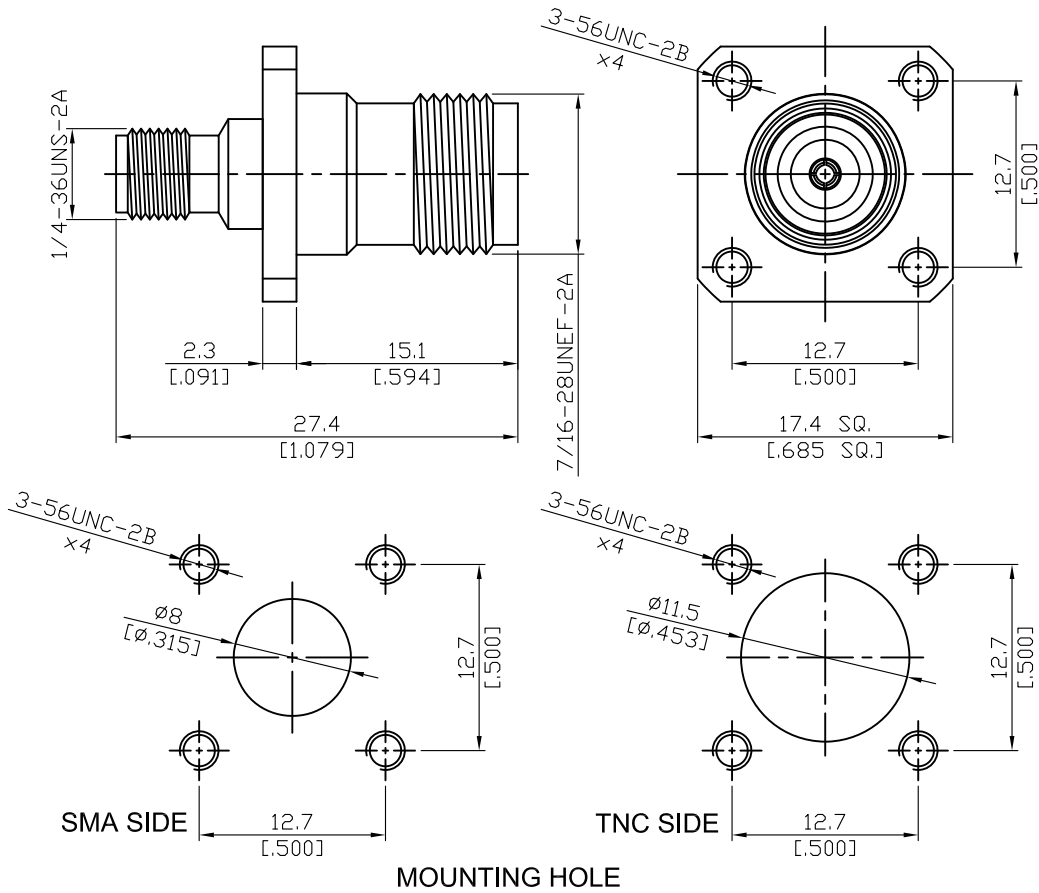


ADS-A8T8-P4B-1.2

SMA Jack to TNC Jack
With 17.5mm SQ 4 Hole Flange; 18GHz VSWR 1.2

50Ω



Parts	Material	Plating (Micro-inch)
Contact Pin	Beryllium Copper	Gold 4 Over Nickel-Phosphorus Alloy 80 Over Copper 20
Insulator	Teflon	
Body	Stainless Steel	Passivated

This part number complies with RoHS.

Notice: JYEBAO reserves the right to make modifications deemed appropriate.

ADS-A8T8-P4B-1.2	SMA Jack to TNC Jack With 17.5mm SQ 4 Hole Flange;18GHz VSWR 1.2											
Interface Standard Mechanically compatible with	<table border="1"> <thead> <tr> <th>SMA</th> <th>TNC</th> </tr> </thead> <tbody> <tr> <td>MIL-STD-348B</td> <td>MIL-STD-348B</td> </tr> <tr> <td>2.92 & 3.5</td> <td></td> </tr> </tbody> </table>	SMA	TNC	MIL-STD-348B	MIL-STD-348B	2.92 & 3.5						
SMA	TNC											
MIL-STD-348B	MIL-STD-348B											
2.92 & 3.5												
Electrical Data Impedance Frequency Range VSWR Insertion Loss Insulation Resistance Dielectric Withstanding Voltage (at sea level) Working Voltage (at sea level)	<table> <tbody> <tr> <td>50Ω</td> </tr> <tr> <td>DC To 18GHz</td> </tr> <tr> <td>≤ 1.2 (DC To 18GHz)</td> </tr> <tr> <td>≤ 0.05 x √f(GHz) dB</td> </tr> <tr> <td>≥ 5000MΩ</td> </tr> <tr> <td>1500 V rms</td> </tr> <tr> <td>500 V rms</td> </tr> </tbody> </table>		50Ω	DC To 18GHz	≤ 1.2 (DC To 18GHz)	≤ 0.05 x √f(GHz) dB	≥ 5000MΩ	1500 V rms	500 V rms			
50Ω												
DC To 18GHz												
≤ 1.2 (DC To 18GHz)												
≤ 0.05 x √f(GHz) dB												
≥ 5000MΩ												
1500 V rms												
500 V rms												
Mechanical Data Recommended Coupling Nut Torque Coupling Proof Torque Contact Captivation-axial Durability (mating)	<table border="1"> <thead> <tr> <th>SMA</th> <th>TNC</th> </tr> </thead> <tbody> <tr> <td>7 to 9.5 in-lbs</td> <td>4.1 to 6.1 in-lbs</td> </tr> <tr> <td>15 in-lbs</td> <td>15 in-lbs</td> </tr> <tr> <td>≥ 6.1 lbs</td> <td>≥ 6.1 lbs</td> </tr> <tr> <td>≥ 500</td> <td>≥ 500</td> </tr> </tbody> </table>		SMA	TNC	7 to 9.5 in-lbs	4.1 to 6.1 in-lbs	15 in-lbs	15 in-lbs	≥ 6.1 lbs	≥ 6.1 lbs	≥ 500	≥ 500
SMA	TNC											
7 to 9.5 in-lbs	4.1 to 6.1 in-lbs											
15 in-lbs	15 in-lbs											
≥ 6.1 lbs	≥ 6.1 lbs											
≥ 500	≥ 500											
Environmental Data Temperature Range Thermal Shock Moisture Resistance Corrosion RoHS	<table> <tbody> <tr> <td>-65°C to +165°C</td> </tr> <tr> <td>MIL-STD-202, Method</td> </tr> <tr> <td>MIL-STD-202, Method</td> </tr> <tr> <td>MIL-STD-202, Method</td> </tr> <tr> <td>Compliant</td> </tr> </tbody> </table>		-65°C to +165°C	MIL-STD-202, Method	MIL-STD-202, Method	MIL-STD-202, Method	Compliant					
-65°C to +165°C												
MIL-STD-202, Method												
MIL-STD-202, Method												
MIL-STD-202, Method												
Compliant												

Notice: JYEBAO reserves the right to make modifications deemed appropriate.

ADS-A8T8-P4B-1.2

