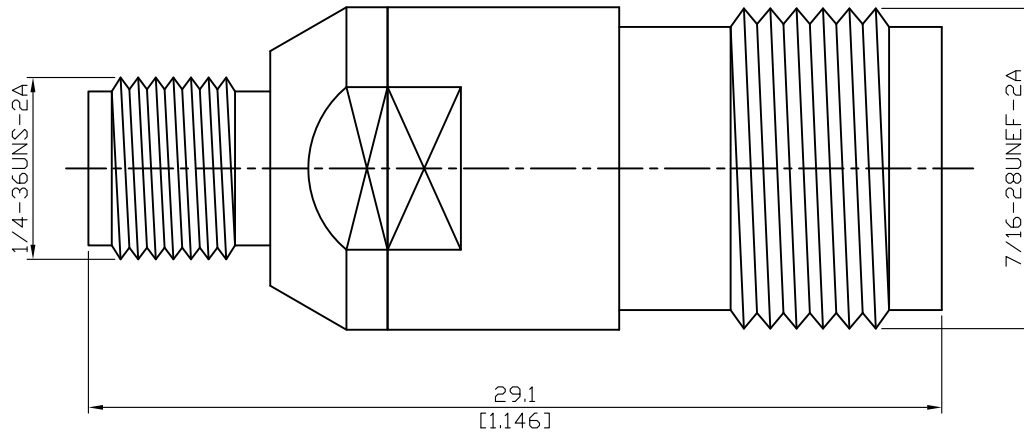


ADS-A8T8-18-1.2

SMA Jack To TNC Jack
18GHz VSWR 1.2

50Ω



Parts	Material	Plating (Micro-inch)
Contact Pin	Beryllium Copper	Gold 4 Over Nickel-Phosphorus Alloy 80 Over Copper 20
Insulator	Teflon	
Body	Stainless Steel	Passivated

This part number complies with RoHS.

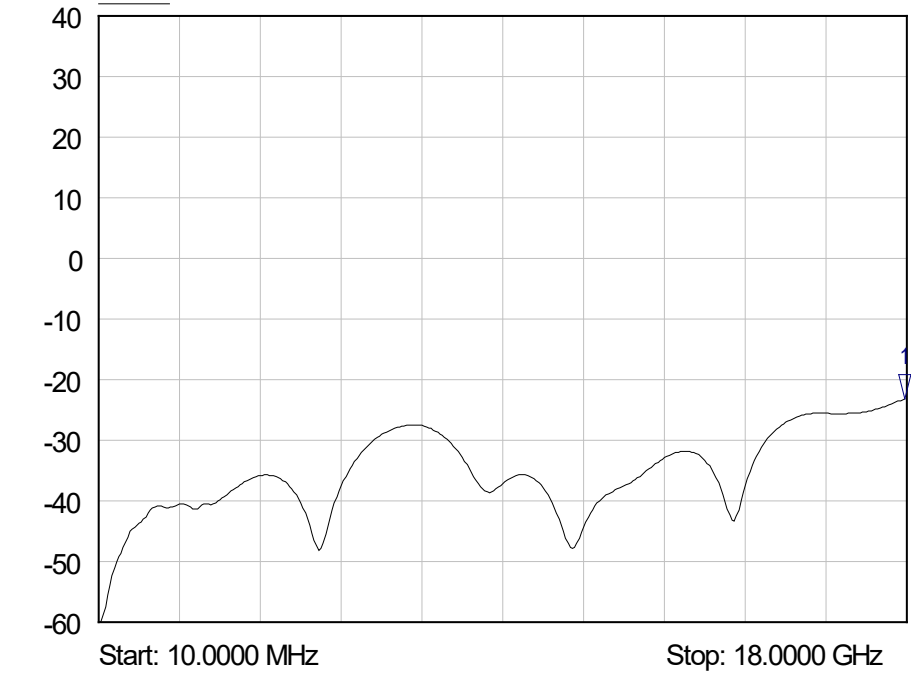
Notice: JYEBAO reserves the right to make modifications deemed appropriate.

ADS-A8T8-18-1.2	SMA Jack To TNC Jack 18GHz VSWR 1.2															
<div style="border: 1px solid black; padding: 2px;">Interface</div> <p>Standard Mechanically compatible with</p>	<table border="1"> <thead> <tr> <th data-bbox="780 344 1123 394">SMA</th> <th data-bbox="1123 344 1482 394">TNC</th> </tr> </thead> <tbody> <tr> <td data-bbox="780 394 1123 443">MIL-STD-348B</td> <td data-bbox="1123 394 1482 443">MIL-STD-348B</td> </tr> <tr> <td data-bbox="780 443 1123 492">2.92 & 3.5</td> <td data-bbox="1123 443 1482 492"></td> </tr> </tbody> </table>	SMA	TNC	MIL-STD-348B	MIL-STD-348B	2.92 & 3.5										
SMA	TNC															
MIL-STD-348B	MIL-STD-348B															
2.92 & 3.5																
<div style="border: 1px solid black; padding: 2px;">Electrical Data</div> <p>Impedance Frequency Range VSWR Insertion Loss Insulation Resistance Dielectric Withstanding Voltage (at sea level) Working Voltage (at sea level)</p>	<table border="1"> <tbody> <tr> <td data-bbox="780 656 1123 705">50Ω</td> <td data-bbox="1123 656 1482 705"></td> </tr> <tr> <td data-bbox="780 705 1123 754">DC To 18GHz</td> <td data-bbox="1123 705 1482 754"></td> </tr> <tr> <td data-bbox="780 754 1123 804">≤ 1.2 (DC To 18GHz)</td> <td data-bbox="1123 754 1482 804"></td> </tr> <tr> <td data-bbox="780 804 1123 853">≤ 0.05 x √f(GHz) dB</td> <td data-bbox="1123 804 1482 853"></td> </tr> <tr> <td data-bbox="780 853 1123 902">≥ 5000MΩ</td> <td data-bbox="1123 853 1482 902"></td> </tr> <tr> <td data-bbox="780 902 1123 952">1500 V rms</td> <td data-bbox="1123 902 1482 952"></td> </tr> <tr> <td data-bbox="780 952 1123 1001">500 V rms</td> <td data-bbox="1123 952 1482 1001"></td> </tr> </tbody> </table>		50Ω		DC To 18GHz		≤ 1.2 (DC To 18GHz)		≤ 0.05 x √f(GHz) dB		≥ 5000MΩ		1500 V rms		500 V rms	
50Ω																
DC To 18GHz																
≤ 1.2 (DC To 18GHz)																
≤ 0.05 x √f(GHz) dB																
≥ 5000MΩ																
1500 V rms																
500 V rms																
<div style="border: 1px solid black; padding: 2px;">Mechanical Data</div> <p>Recommended Coupling Nut Torque Coupling Proof Torque Contact Captivation-axial Durability (mating)</p>	<table border="1"> <thead> <tr> <th data-bbox="780 1102 1123 1151">SMA</th> <th data-bbox="1123 1102 1482 1151">TNC</th> </tr> </thead> <tbody> <tr> <td data-bbox="780 1151 1123 1200">7 to 9.5 in-lbs</td> <td data-bbox="1123 1151 1482 1200">4.1 to 6.1 in-lbs</td> </tr> <tr> <td data-bbox="780 1200 1123 1249">15 in-lbs</td> <td data-bbox="1123 1200 1482 1249">15 in-lbs</td> </tr> <tr> <td data-bbox="780 1249 1123 1299">≥ 6.1 lbs</td> <td data-bbox="1123 1249 1482 1299">≥ 6.1 lbs</td> </tr> <tr> <td data-bbox="780 1299 1123 1348">≥ 500</td> <td data-bbox="1123 1299 1482 1348">≥ 500</td> </tr> </tbody> </table>		SMA	TNC	7 to 9.5 in-lbs	4.1 to 6.1 in-lbs	15 in-lbs	15 in-lbs	≥ 6.1 lbs	≥ 6.1 lbs	≥ 500	≥ 500				
SMA	TNC															
7 to 9.5 in-lbs	4.1 to 6.1 in-lbs															
15 in-lbs	15 in-lbs															
≥ 6.1 lbs	≥ 6.1 lbs															
≥ 500	≥ 500															
<div style="border: 1px solid black; padding: 2px;">Environmental Data</div> <p>Temperature Range Thermal Shock Moisture Resistance Corrosion RoHS</p>	<table border="1"> <tbody> <tr> <td data-bbox="780 1556 1123 1606">-65°C to +165°C</td> <td data-bbox="1123 1556 1482 1606"></td> </tr> <tr> <td data-bbox="780 1606 1123 1655">MIL-STD-202, Method</td> <td data-bbox="1123 1606 1482 1655"></td> </tr> <tr> <td data-bbox="780 1655 1123 1704">MIL-STD-202, Method</td> <td data-bbox="1123 1655 1482 1704"></td> </tr> <tr> <td data-bbox="780 1704 1123 1753">MIL-STD-202, Method</td> <td data-bbox="1123 1704 1482 1753"></td> </tr> <tr> <td data-bbox="780 1753 1123 1803">Compliant</td> <td data-bbox="1123 1753 1482 1803"></td> </tr> </tbody> </table>		-65°C to +165°C		MIL-STD-202, Method		MIL-STD-202, Method		MIL-STD-202, Method		Compliant					
-65°C to +165°C																
MIL-STD-202, Method																
MIL-STD-202, Method																
MIL-STD-202, Method																
Compliant																

Notice: JYEBAO reserves the right to make modifications deemed appropriate.

ADS-A8T8-18-1.2

SoftPlot Measurement Presentation
S11



1 S11
▽ 17.9555 GHz
1.15 VSWR