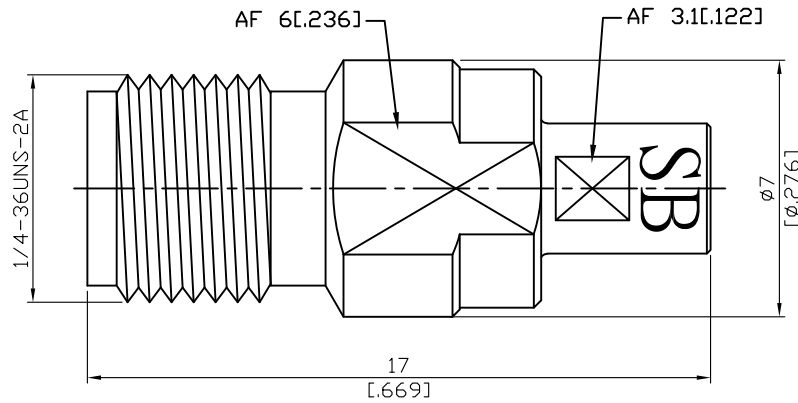


ADS-A8PMS3-27-1.2

SMA Jack To SMPM Plug Smooth Bore
27GHz VSWR 1.2

50Ω



Parts	Material	Plating (Micro-inch)
Contact Pin	Beryllium Copper	Gold 4 Over Nickel-Phosphorus Alloy 80 Over Copper 20
SMA Insulator	Teflon	
SMP Insulator	PEI	
Body	Stainless Steel	Passivated

This part number complies with RoHS.

Notice: JYEBAO reserves the right to make modifications deemed appropriate.

ADS-A8PMS3-27-1.2	SMA Jack To SMPM Plug Smooth Bore 27GHz VSWR 1.2		
<div style="border: 1px solid black; padding: 2px; margin-bottom: 5px;">Interface</div> Standard Mechanically compatible with	SMA MIL-STD-348B 2.92 & 3.5	SMPM MIL-STD-348B	
<div style="border: 1px solid black; padding: 2px; margin-bottom: 5px;">Electrical Data</div> Impedance Frequency Range VSWR Insertion Loss Insulation Resistance Dielectric Withstanding Voltage (at sea level)	50Ω DC To 27GHz ≤ 1.2 (DC To 27GHz) ≤ 0.06 x √f(GHz) dB ≥ 5000MΩ 325 V rms		
<div style="border: 1px solid black; padding: 2px; margin-bottom: 5px;">Mechanical Data</div> Recommended Coupling Nut Torque Coupling Proof Torque Contact Captivation-axial Durability (mating) Engagement Force Disengagement Force	SMA 7 to 9.5 in-lbs 15 in-lbs ≥ 6.1 lbs ≥ 500 NA NA	SMPM Full detent Smooth bore NA NA NA NA ≥ 1.5 lbs ≥ 1.5 lbs ≥ 100 ≥ 1000 3.5 lbs typ 1.5 lbs typ 5.0 lbs typ 1.5 lbs typ	
<div style="border: 1px solid black; padding: 2px; margin-bottom: 5px;">Environmental Data</div> Temperature Range Thermal Shock Moisture Resistance Corrosion RoHS	-40°C to +165°C MIL-STD-202, Method 107, Condition B MIL-STD-202, Method 206 MIL-STD-202, Method 101, Condition B Compliant		