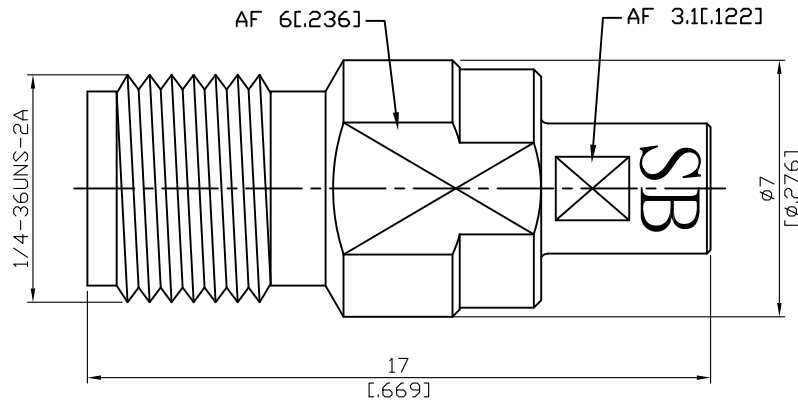


ADS-A8PMS3-27-1.15

SMA Jack To SMPM Plug Smooth Bore
27GHz VSWR 1.15

50Ω



Parts	Material	Plating (Micro-inch)
Contact Pin	Beryllium Copper	Gold 4 Over Nickel-Phosphorus Alloy 80 Over Copper 20
SMA Insulator	Teflon	
SMP Insulator	PEI	
Body	Stainless Steel	Passivated

--	--

This part number complies with RoHS.

Notice: JYEBAO reserves the right to make modifications deemed appropriate.

ADS-A8PMS3-27-1.15	SMA Jack To SMPM Plug Smooth Bore 27GHz VSWR 1.15		
<div style="border: 1px solid black; padding: 2px; margin-bottom: 5px;">Interface</div> Standard Mechanically compatible with	SMA	SMPM	
	MIL-STD-348B	MIL-STD-348B	
	2.92 & 3.5		
<div style="border: 1px solid black; padding: 2px; margin-bottom: 5px;">Electrical Data</div> Impedance Frequency Range VSWR Insertion Loss Insulation Resistance Dielectric Withstanding Voltage (at sea level)	50Ω DC To 27GHz ≤ 1.15 (DC To 27GHz) $\leq 0.06 \times \sqrt{f(\text{GHz})}$ dB $\geq 5000\text{M}\Omega$ 325 V rms		
<div style="border: 1px solid black; padding: 2px; margin-bottom: 5px;">Mechanical Data</div> Recommended Coupling Nut Torque Coupling Proof Torque Contact Captivation-axial Durability (mating) Engagement Force Disengagement Force	SMA	SMPM	
		Full detent	Smooth bore
	7 to 9.5 in-lbs	NA	NA
	15 in-lbs	NA	NA
	≥ 6.1 lbs	≥ 1.5 lbs	≥ 1.5 lbs
	≥ 500	≥ 100	≥ 1000
	NA	3.5 lbs typ	1.5 lbs typ
	NA	5.0 lbs typ	1.5 lbs typ
<div style="border: 1px solid black; padding: 2px; margin-bottom: 5px;">Environmental Data</div> Temperature Range Thermal Shock Moisture Resistance Corrosion RoHS	-40°C to +165°C MIL-STD-202, Method 107, Condition B MIL-STD-202, Method 206 MIL-STD-202, Method 101, Condition B Compliant		

ADS-A8PMS3-27-1.15

