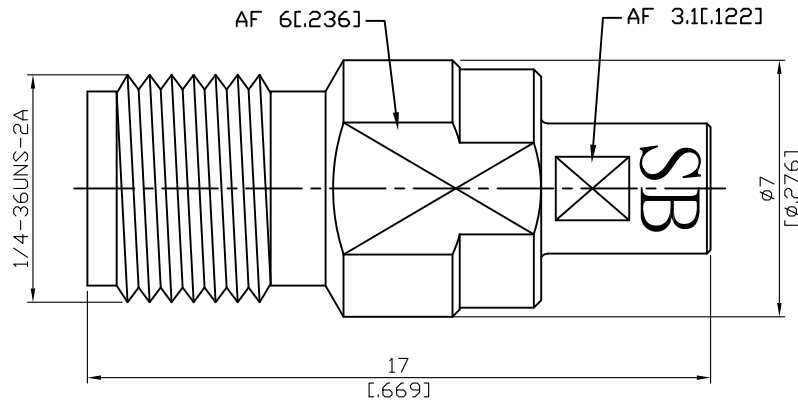


ADS-A8PMS3-18-1.15

SMA Jack To SMPM Plug Smooth Bore
18GHz VSWR 1.15

50Ω



Parts	Material	Plating (Micro-inch)
Contact Pin	Beryllium Copper	Gold 4 Over Nickel-Phosphorus Alloy 80 Over Copper 20
SMA Insulator	Teflon	
SMP Insulator	PEI	
Body	Stainless Steel	Passivated

--	--

This part number complies with RoHS.

Notice: JYEBAO reserves the right to make modifications deemed appropriate.

ADS-A8PMS3-18-1.15		SMA Jack To SMPM Plug Smooth Bore 18GHz VSWR 1.15	
Interface		SMA	SMPM
Standard		MIL-STD-348B	MIL-STD-348B
Mechanically compatible with		2.92 & 3.5	
Electrical Data			
Impedance		50Ω	
Frequency Range		DC To 18GHz	
VSWR		≤ 1.15 (DC To 18GHz)	
Insertion Loss		≤ 0.06 x √f(GHz) dB	
Insulation Resistance		≥ 5000MΩ	
Dielectric Withstanding Voltage (at sea level)		325 V rms	
Mechanical Data		SMA	SMPM
			Full detent Smooth bore
Recommended Coupling Nut Torque		7 to 9.5 in-lbs	NA NA
Coupling Proof Torque		15 in-lbs	NA NA
Contact Captivation-axial		≥ 6.1 lbs	≥ 1.5 lbs ≥ 1.5 lbs
Durability (mating)		≥ 500	≥ 100 ≥ 1000
Engagement Force		NA	3.5 lbs typ 1.5 lbs typ
Disengagement Force		NA	5.0 lbs typ 1.5 lbs typ
Environmental Data			
Temperature Range		-40°C to +165°C	
Thermal Shock		MIL-STD-202, Method 107, Condition B	
Moisture Resistance		MIL-STD-202, Method 206	
Corrosion		MIL-STD-202, Method 101, Condition B	
RoHS		Compliant	

ADS-A8PMS3-18-1.15

