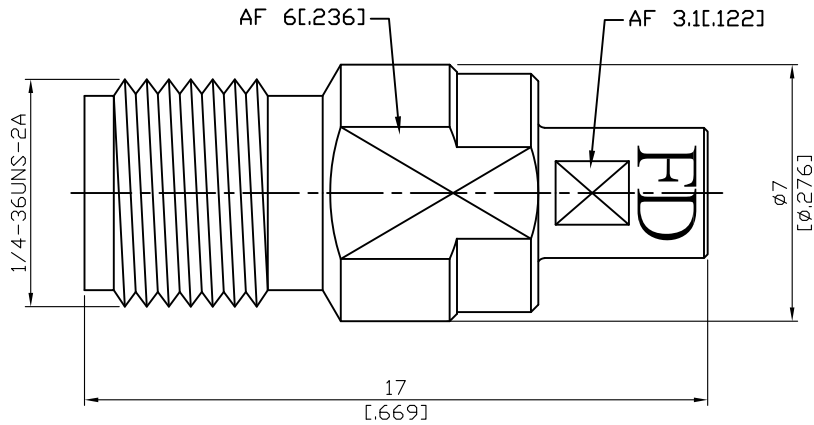


ADS-A8PMF3-18-1.15	SMA Jack To SMPM Plug Full Detent 18GHZ VSWR 1.15	50Ω
--------------------	--	-----



Parts	Material	Plating (Micro-inch)
Contact Pin	Beryllium Copper	Gold 4 Over Nickel-Phosphorus Alloy 80 Over Copper 20
SMA Insulator	Teflon	
SMP Insulator	PEI	
Body	Stainless Steel	Passivated

--	--

This part number complies with RoHS.

Notice: JYEBAO reserves the right to make modifications deemed appropriate.

ADS-A8PMF3-18-1.15	SMA Jack To SMPM Plug Full Detent 18GHZ VSWR 1.15		
<div style="border: 1px solid black; padding: 2px;">Interface</div> <p>Standard Mechanically compatible with</p>	SMA MIL-STD-348B 2.92 & 3.5	SMPM MIL-STD-348B	
<div style="border: 1px solid black; padding: 2px;">Electrical Data</div> <p>Impedance Frequency Range VSWR Insertion Loss Insulation Resistance Dielectric Withstanding Voltage (at sea level)</p>	<p>50Ω DC To 18GHz ≤ 1.15 (DC To 18GHz) ≤ 0.06 x √f(GHz) dB ≥ 5000MΩ 325 V rms</p>		
<div style="border: 1px solid black; padding: 2px;">Mechanical Data</div> <p>Recommended Coupling Nut Torque Coupling Proof Torque Contact Captivation-axial Durability (mating) Engagement Force Disengagement Force</p>	SMA	SMPM Full detent Smooth bore	
	7 to 9.5 in-lbs	NA	NA
	15 in-lbs	NA	NA
	≥ 6.1 lbs	≥ 1.5 lbs	≥ 1.5 lbs
	≥ 500	≥ 100	≥ 1000
	NA	3.5 lbs typ	1.5 lbs typ
	NA	5.0 lbs typ	1.5 lbs typ
<div style="border: 1px solid black; padding: 2px;">Environmental Data</div> <p>Temperature Range Thermal Shock Moisture Resistance Corrosion RoHS</p>	<p>-40°C to +165°C MIL-STD-202, Method 107, Condition B MIL-STD-202, Method 206 MIL-STD-202, Method 101, Condition B Compliant</p>		

