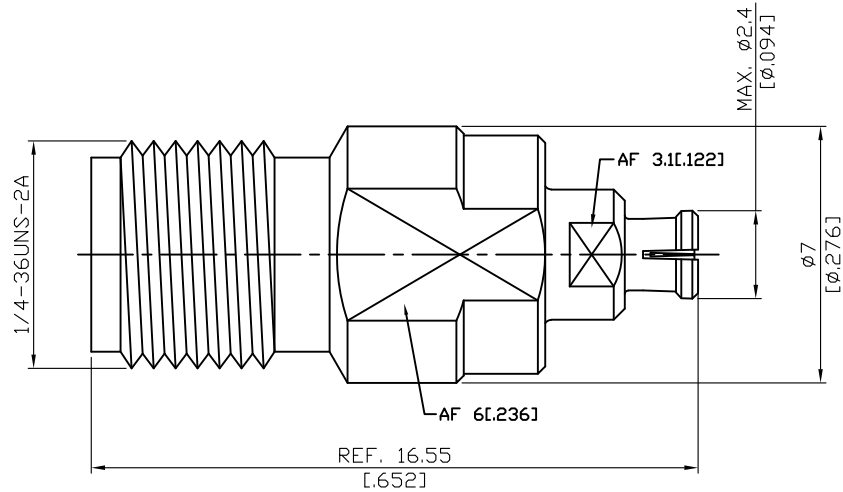


ADS-A8PM8-27-1.2

SMA Jack To SMPM Jack
27GHz VSWR 1.2

50Ω



Parts	Material	Plating (Micro-inch)
Contact Pin	Beryllium Copper	Gold 4 Over Nickel-Phosphorus Alloy 80 Over Copper 20
SMA Insulator	Teflon	
SMPM Insulator	PPO	
Mini SMP Body	Beryllium Copper	Gold 4 Over Nickel-Phosphorus Alloy 80 Over Copper 20
SMA Body	Stainless Steel	Passivated

This part number complies with RoHS.

Notice: JYEBAO reserves the right to make modifications deemed appropriate.

ADS-A8PM8-27-1.2		SMA Jack To SMPM Jack 27GHz VSWR 1.2	
Interface		SMA	SMPM
Standard		MIL-STD-348B	MIL-STD-348B
Mechanically compatible with		2.92 & 3.5	
Electrical Data			
Impedance		50Ω	
Frequency Range		DC To 27GHz	
VSWR		≤ 1.15 (DC To 27GHz)	
Insertion Loss		≤ 0.06 x √f(GHz) dB	
Insulation Resistance		≥ 5000MΩ	
Dielectric Withstanding Voltage (at sea level)		325 V rms	
Mechanical Data		SMA	SMPM
			Full detent Smooth bore
Recommended Coupling Nut Torque		7 to 9.5 in-lbs	NA NA
Coupling Proof Torque		15 in-lbs	NA NA
Contact Captivation-axial		≥ 6.1 lbs	≥ 1.5 lbs ≥ 1.5 lbs
Durability (mating)		≥ 500	≥ 100 ≥ 1000
Engagement Force		NA	3.5 lbs typ 1.5 lbs typ
Disengagement Force		NA	5.0 lbs typ 1.5 lbs typ
Environmental Data			
Temperature Range		-55°C to +105°C	
Thermal Shock		MIL-STD-202, Method 107, Condition B	
Moisture Resistance		MIL-STD-202, Method 206	
Corrosion		MIL-STD-202, Method 101, Condition B	
RoHS		Compliant	