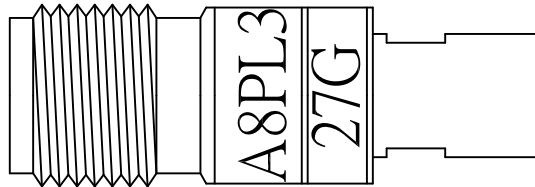
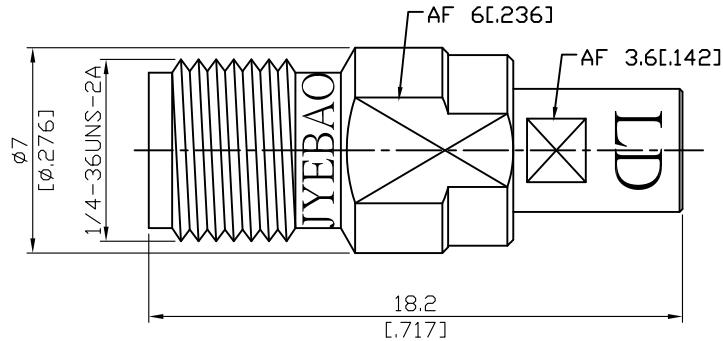


ADS-A8PL3-27-1.2

SMA Jack To SMP Plug Limited Detent  
27GHz VSWR 1.2

50Ω



Parts	Material	Plating ( Micro-inch )
Ring	Brass	Gold 4 Over Nickel-Phosphorus Alloy 80 Over Copper 20
Insulator (SMP)	PPO	
Contact Pin	Beryllium Copper	Gold 4 Over Nickel-Phosphorus Alloy 80 Over Copper 20
Insulator (SMA)	Teflon	
Body	Stainless Steel	Passivated

--	--

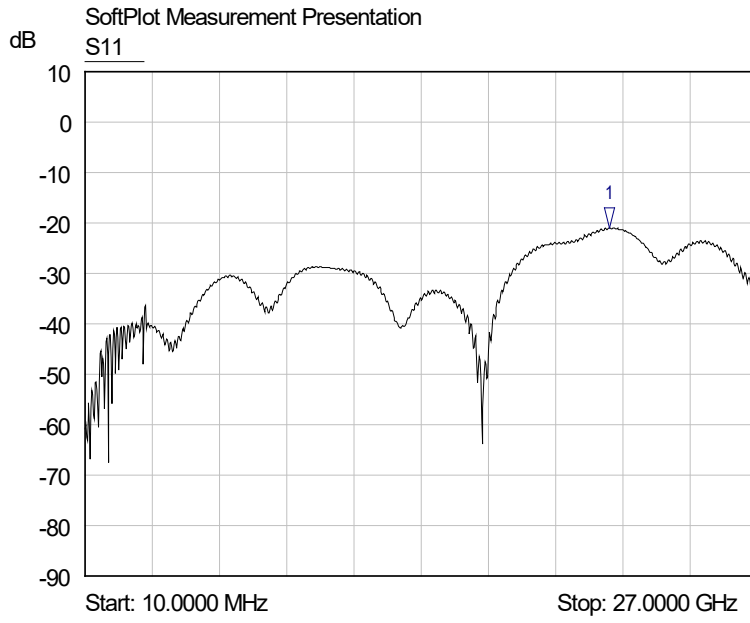
This part number complies with RoHS.

Notice: JYEBAO reserves the right to make modifications deemed appropriate.

ADS-A8PL3-27-1.2	SMA Jack To SMP Plug Limited Detent 27GHz VSWR 1.2			
<b>Interface</b> Standard Mechanically compatible with		SMA MIL-STD-348B 2.92 & 3.5	SMP MIL-STD-348B	
<b>Electrical Data</b> Impedance Frequency Range VSWR Insertion Loss Insulation Resistance Dielectric Withstanding Voltage (at sea level) Working Voltage (at sea level)	50Ω DC To 27GHz ≤ 1.2 (DC To 27GHz) ≤ 0.06 x √f(GHz) dB ≥ 5000MΩ 500 V rms 335 V rms			
<b>Mechanical Data</b> Recommended Coupling Nut Torque Coupling Proof Torque Contact Captivation-axial Durability (mating) Engagement Force Disengagement Force Axial Misalignment Radial Misalignment	SMA	SMP Full detent    Limited detent    Smooth bore Catchers Mit 7 to 9.5 in-lbs    NA    NA    NA 15 in-lbs    NA    NA    NA ≥ 6.1 lbs    NA    NA    NA ≥ 500    ≥ 100    ≥ 500    ≥ 1000 NA    ≤ 15 lbs    ≤ 10 lbs    ≤ 2 lbs NA    ≥ 5 lbs    ≥ 2 lbs    ≥ 0.5 lbs NA    +0.00/-0.25(+.000/-0.010) NA    +/-0.25(0.010)		
<b>Environmental Data</b> Temperature Range Thermal Shock Moisture Resistance Corrosion RoHS	-55°C to +105°C MIL-STD-202, Method 107, Condition B MIL-STD-202, Method 206 MIL-STD-202, Method 101, Condition B Compliant			

Notice: JYEBAO reserves the right to make modifications deemed appropriate.

# ADS-A8PL3-27-1.2



1 S11  
▽ 21.0556 GHz  
1.20 VSWR